

EXTERIOR ELEVATION

CUSTOMER APPROVAL BLOCK

APPROVED

APPROVED AS NOTED

DISAPPROVED RESUBMIT

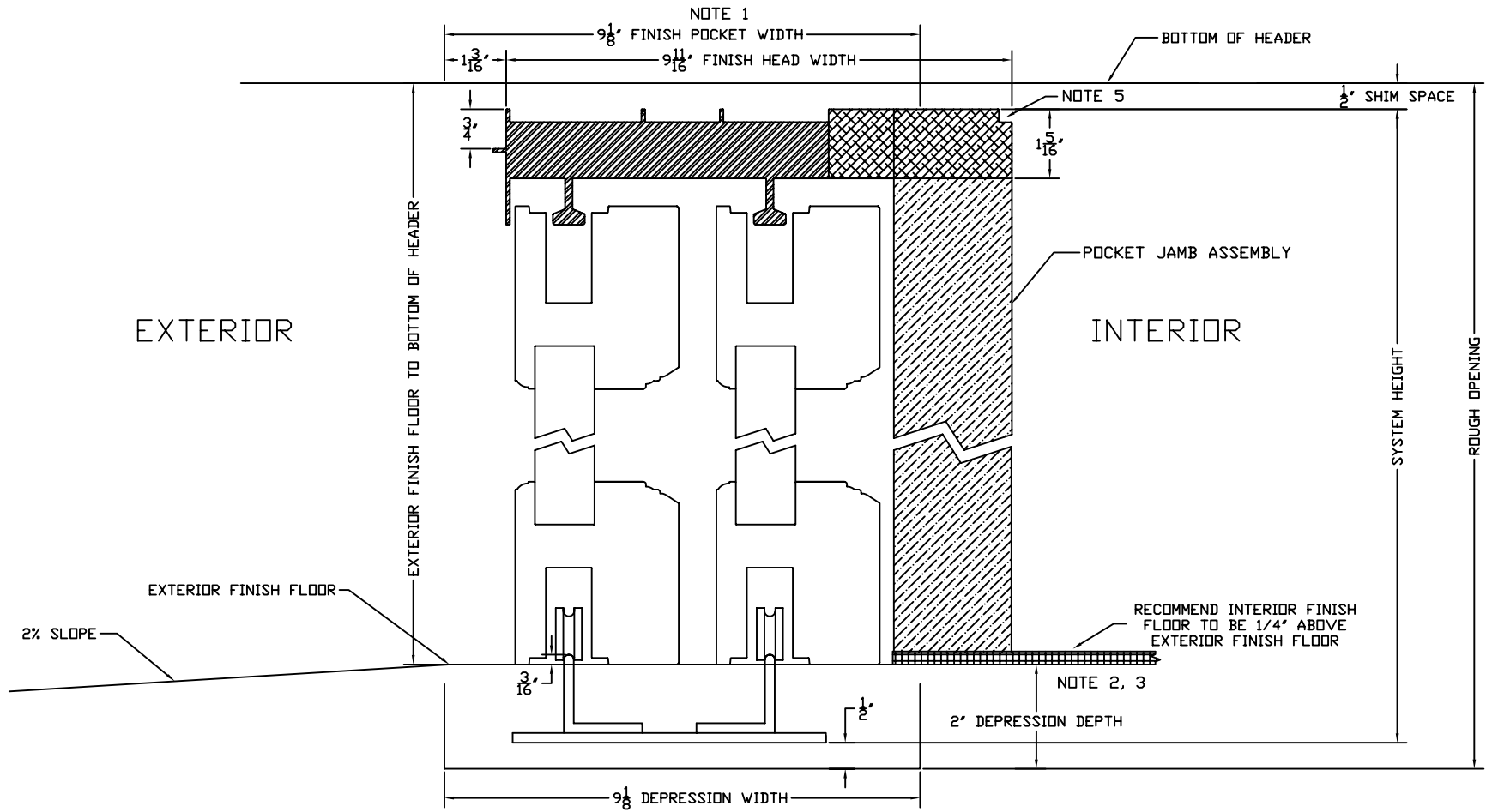
SIGNED \_\_\_\_\_ DATE \_\_\_\_\_

NO.	DATE	DESCRIPTION	BY
0	10-06	APPROVED FOR CONSTRUCTION	CMP



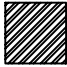


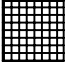
TITLE		
PXX 1 1/2" TRACK		
ARCHITECTURAL COLLECTION		
DWN BY: AR	SCALE: NONE	REV.
DATE: 02/13/07	DWG. NO.	0
CHK. BY: CMP	ALS-003	
APPD. BY: CMP	SHT. 1 OF 1	

\*\*\* All diagrams, drawings and other documents produced by Sliding Visions, Inc. are the sole property of Sliding Visions, Inc and under penalty of law, neither these documents nor the information they convey may be reproduced or transmitted to any third party without written consent.



NOTES:

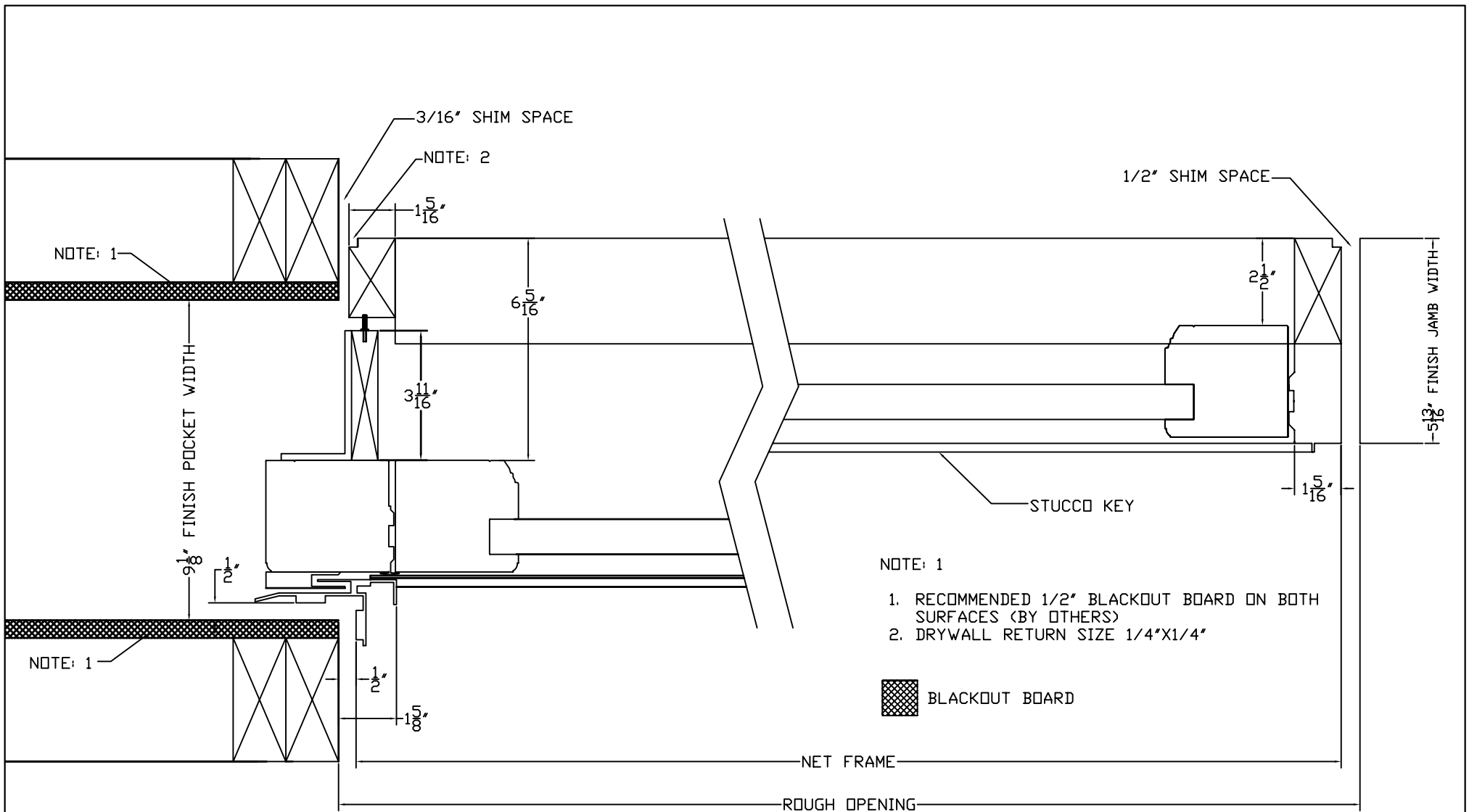
1. BLACKOUT BOARD ON BOTH INTERIOR SURFACES (BY CUSTOMER)
2. INCLUDES THICKNESS OF EXTERIOR FINISH FLOOR. FROM INTERIOR FINISH FLOOR ADD 1/4"
3. CUSTOMER IS REQUIRED TO DRY PACK TRACK DEPRESSION AFTER INSTALLATION BY DOOR CONTRACTOR
4. FINISH FLOOR BY OTHERS
5. DRYWALL RETURN SIZE 1/4"x1/4"
6. SEE SYSTEM ELEVATION DRAWING FOR ROUGH OPENING DIMENSIONS

	ALUMINUM		WOOD JAMB
	WOOD HEAD		INTERIOR FINISH

STANDARD DETAIL FOR INFORMATION ONLY

				TITLE <b>PXX 1 1/2" TRACK</b>			
				DWN BY: AR	SCALE: NONE	REV.	
0				APPROVED FOR CONSTRUCTION	DATE: 10-16-06	DWG. NO. <b>OVLS-D-014</b>	
NO.	DATE			DESCRIPTION	BY	APPD. BY:	

\*\*\* All diagrams, drawings and other documents produced by Sliding Visions, Inc. are the sole property of Sliding Visions, Inc and under penalty of law, neither these documents nor the information they convey may be reproduced or transmitted to any third party without written consent.



- NOTE: 1
1. RECOMMENDED 1/2" BLACKOUT BOARD ON BOTH SURFACES (BY OTHERS)
  2. DRYWALL RETURN SIZE 1/4"X1/4"

 BLACKOUT BOARD

STANDARD DETAIL FOR INFORMATION ONLY

				TITLE PXX POCKET DETAIL		
				DWN BY: AR	SCALE: NONE	REV.
0				DATE: 10-16-06	DWG. NO. OVLS-D-050	0
APPROVED FOR CONSTRUCTION				CHK. BY:		
NO.	DATE	DESCRIPTION	BY	APPD. BY:	SHT. 1 OF 1	



\*\*\* All diagrams, drawings and other documents produced by Sliding Visions, Inc. are the sole property of Sliding Visions, Inc and under penalty of law, neither these documents nor the information they convey may be reproduced or transmitted to any third party without written consent.