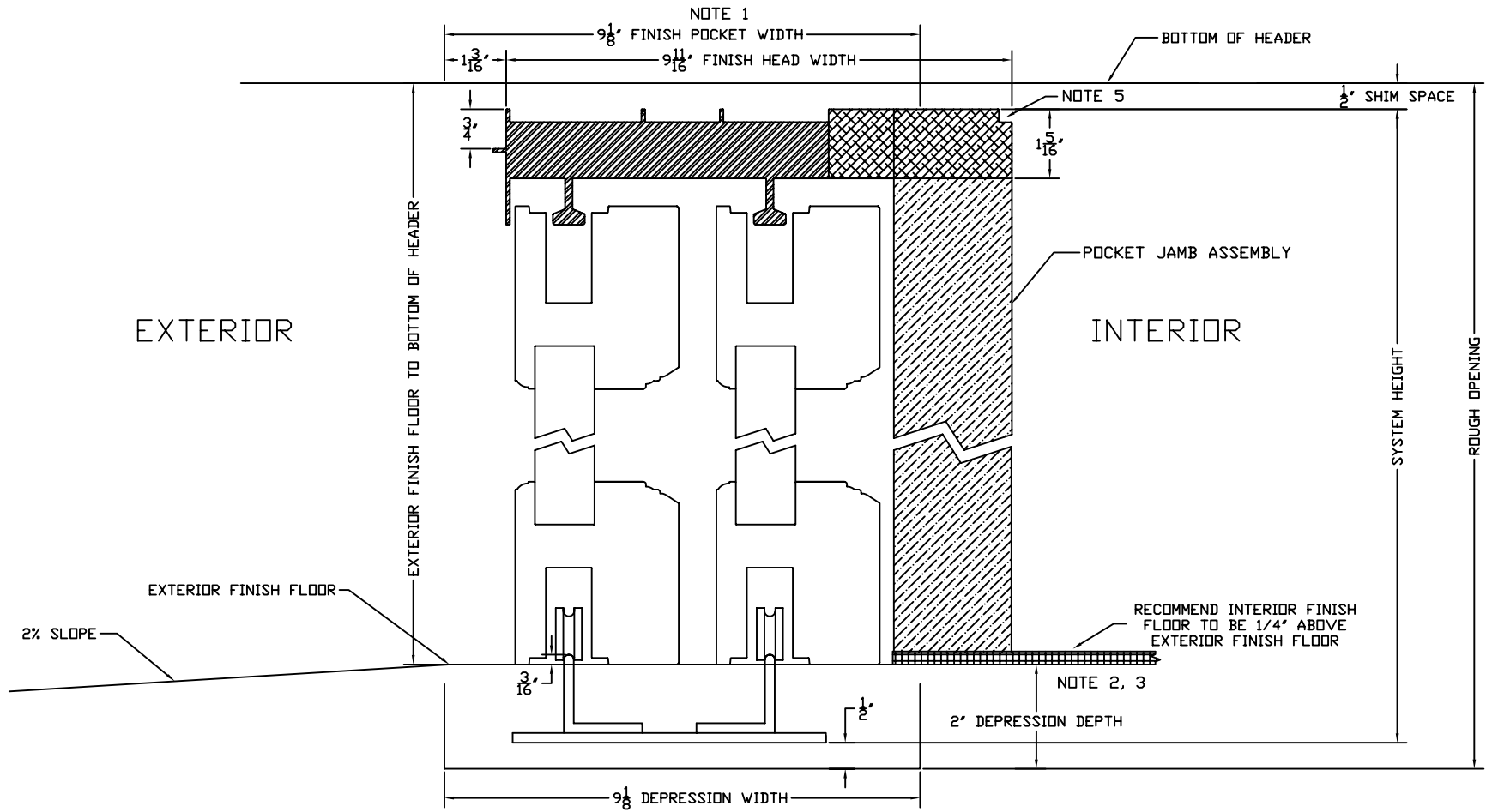


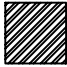


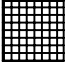
EXTERIOR ELEVATION

CUSTOMER APPROVAL BLOCK					TITLE PXXXXP 1 1/2" TRACK	
<input type="checkbox"/> APPROVED <input type="checkbox"/> APPROVED AS NOTED <input type="checkbox"/> DISAPPROVED RESUBMIT					ARCHITECTURAL COLLECTION	
<input type="checkbox"/> APPROVED <input type="checkbox"/> APPROVED AS NOTED <input type="checkbox"/> DISAPPROVED RESUBMIT					DWN BY: AR	
SIGNED _____ DATE _____					DATE: 02-14-07	
					SCALE: NONE	
					CHK. BY: CMP	
					APPD. BY: CMP	
					REV. 0	
					SHT. 1 OF 1	
*** All diagrams, drawings and other documents produced by Sliding Visions, Inc. are the sole property of Sliding Visions, Inc and under penalty of law, neither these documents nor the information they convey may be reproduced or transmitted to any third party without written consent.						



NOTES:

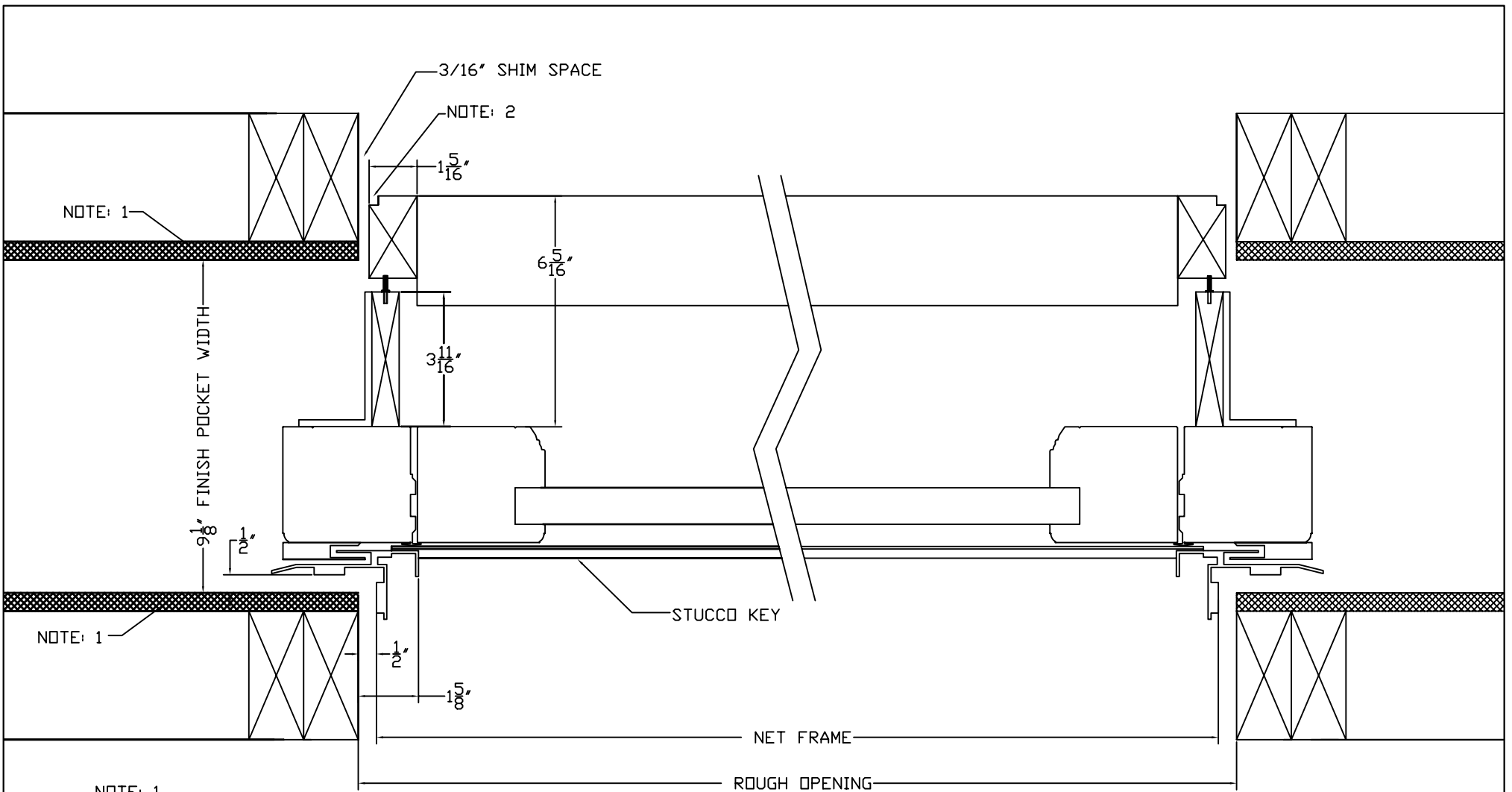
1. BLACKOUT BOARD ON BOTH INTERIOR SURFACES (BY CUSTOMER)
2. INCLUDES THICKNESS OF EXTERIOR FINISH FLOOR. FROM INTERIOR FINISH FLOOR ADD 1/4"
3. CUSTOMER IS REQUIRED TO DRY PACK TRACK DEPRESSION AFTER INSTALLATION BY DOOR CONTRACTOR
4. FINISH FLOOR BY OTHERS
5. DRYWALL RETURN SIZE 1/4"x1/4"
6. SEE SYSTEM ELEVATION DRAWING FOR ROUGH OPENING DIMENSIONS

	ALUMINUM		WOOD JAMB
	WOOD HEAD		INTERIOR FINISH

STANDARD DETAIL FOR INFORMATION ONLY

				TITLE		PXX 1 1/2" TRACK	
				DWN BY: AR		SCALE: NONE	
				DATE: 10-16-06		DWG. NO.	
				CHK. BY:		OVLS-D-014	
				APPD. BY:		SHT. 1 OF 1	
							
0		APPROVED FOR CONSTRUCTION					
NO.	DATE	DESCRIPTION	BY				

*** All diagrams, drawings and other documents produced by Sliding Visions, Inc. are the sole property of Sliding Visions, Inc and under penalty of law, neither these documents nor the information they convey may be reproduced or transmitted to any third party without written consent.



NOTE: 1

1. RECOMMENDED 1/2" BLACKOUT BOARD ON BOTH SURFACES (BY OTHERS)
2. DRYWALL RETURN SIZE 1/4"X1/4"

 BLACKOUT BOARD

STANDARD DETAIL FOR INFORMATION ONLY

				TITLE PXX POCKET DETAIL			
				DWN BY: AR	SCALE: NONE	REV.	
0				APPROVED FOR CONSTRUCTION	DATE: 10-16-06	DWG. NO. OVLS-D-075	0
NO.	DATE			DESCRIPTION	BY	APPD. BY:	

*** All diagrams, drawings and other documents produced by Sliding Visions, Inc. are the sole property of Sliding Visions, Inc and under penalty of law, neither these documents nor the information they convey may be reproduced or transmitted to any third party without written consent.