
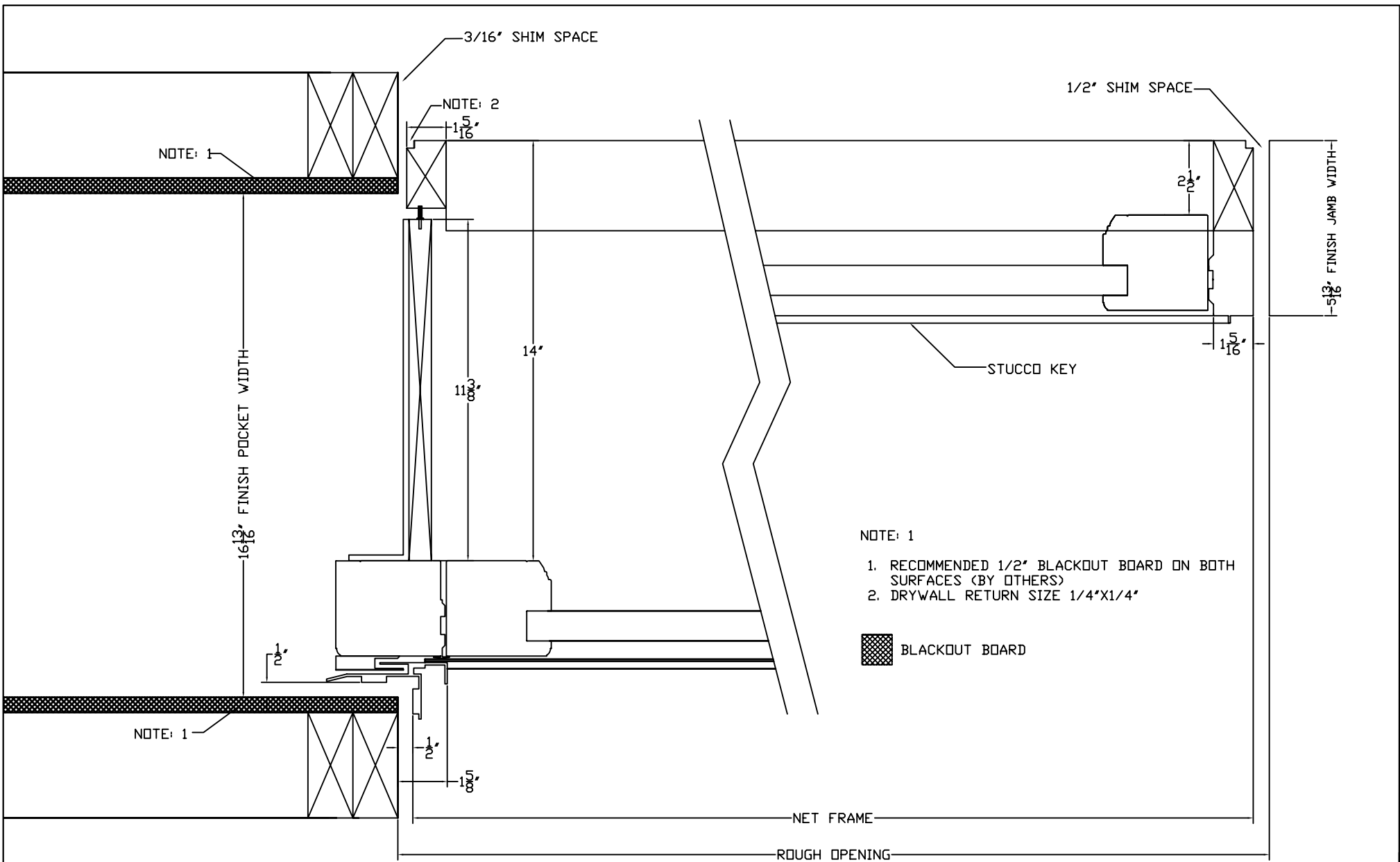


EXTERIOR ELEVATION

CUSTOMER APPROVAL BLOCK						TITLE XXXXP 1 1/2" TRACK	
<input type="checkbox"/> APPROVED <input type="checkbox"/> APPROVED AS NOTED <input type="checkbox"/> DISAPPROVED RESUBMIT						ARCHITECTURAL COLLECTION	
0		10-06		APPROVED FOR CONSTRUCTION		DWN BY: AR	
NO.		DATE		DESCRIPTION		DATE: 02/13/07	
BY						SCALE: NONE	
						DWG. NO.	
						ALS-019	
SIGNED _____		DATE _____				CHK. BY: CMP	
						APPD. BY: CMP	
						SHT. 1 OF 1	
<p>*** All diagrams, drawings and other documents produced by Sliding Visions, Inc. are the sole property of Sliding Visions, Inc and under penalty of law, neither these documents nor the information they convey may be reproduced or transmitted to any third party without written consent.</p>							



- NOTE: 1
1. RECOMMENDED 1/2" BLACKOUT BOARD ON BOTH SURFACES (BY OTHERS)
 2. DRYWALL RETURN SIZE 1/4"x1/4"

 BLACKOUT BOARD

STANDARD DETAIL FOR INFORMATION ONLY

NO.	DATE	DESCRIPTION	BY
0	10-06	APPROVED FOR CONSTRUCTION	CMP



TITLE PXXXX POCKET DETAIL		
DWN BY: AR	SCALE: NONE	REV.
DATE: 10-16-06	DWG. NO. OVLS-D-052	0
CHK. BY: CMP	SHT. 1 OF 1	
APPD. BY: CMP		

*** All diagrams, drawings and other documents produced by Sliding Visions, Inc. are the sole property of Sliding Visions, Inc and under penalty of law, neither these documents nor the information they convey may be reproduced or transmitted to any third party without written consent.