

# Double Hung, Single Hung, Double Hung Fixed Metal Clad Casing: Parts List & Installation Instructions



**These instructions contain important installation, finishing and homeowner information. Please keep them with the window until the homeowner removes them.**

Loewen recommends reviewing the entire instructions and familiarize with this service instruction prior to installation in order to ease the process of removal and installation. This supplement demonstrates how to remove metal clad casing and shipping clip as well how to adjust and install casing and sill nosing feature which is essential for proper casing and nosing installation to the unit.

## 1: Table of Contents

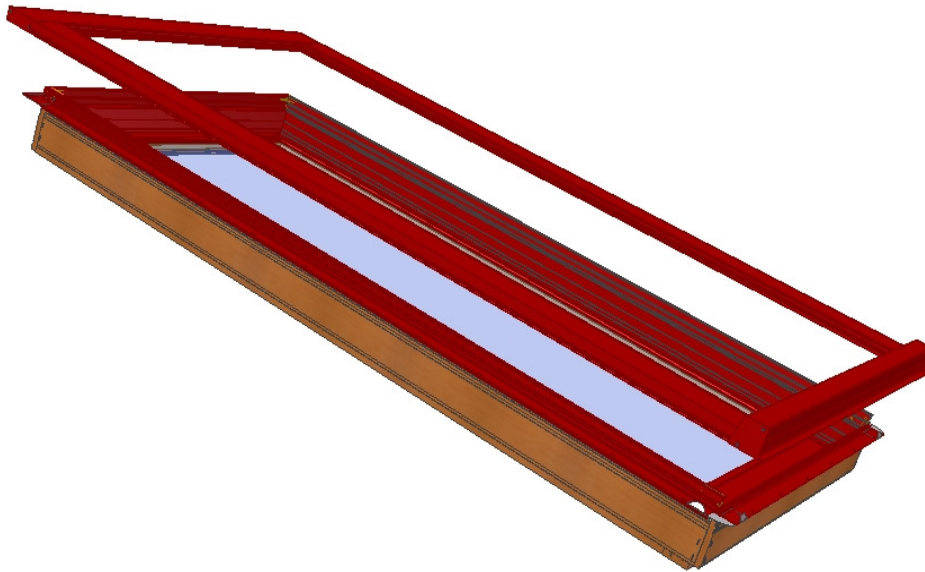
	Page
Table Contents.....	1
2.0 Parts .....	2
2.1 Metal Clad Casing & Sill Nosing Assembly .....	2
2.2 Part Designations .....	2
2.3 Exploded View .....	3
2.4 Bottom Left Corner .....	3
3.0 Installation Preparation .....	4
3.1, 3.2 .....	4
3.3, 3.4 .....	5
3.5, 3.6 .....	6
3.7 .....	7
4.0 Unit & Casing System Installation .....	8
4.1 .....	8
4.2 .....	9

## 2.0: Parts



**Important: Always practice safety! Wear the appropriate eye, ear and hand protection, especially when working with power tools.**

### 2.1) METAL CLAD CASING & SILL NOSING ASSEMBLY



### 2.2) PART DESIGNATIONS

1. Casing at Jamb (3 ½" Flat Casing Shown)
2. Casing at Head (3 ½" Flat Casing Shown)
3. Sill Nosing (BC Sill Nosing Shown)
4. Head Casing End Cap  
- 3 ½" Flat Casing Only
5. Frame Cladding
6. Accessory Retainer Clip
7. Casing Shipping Clip
8. Sill Nosing End Cap
9. Jamb – Frame
10. Sill
11. Sill Nosing Shipping Clip

### CASING OPTIONS

1. 3 ½" Flat Casing
2. Adams Casing
3. Williamsburg Casing
4. Nose & Cove Casing

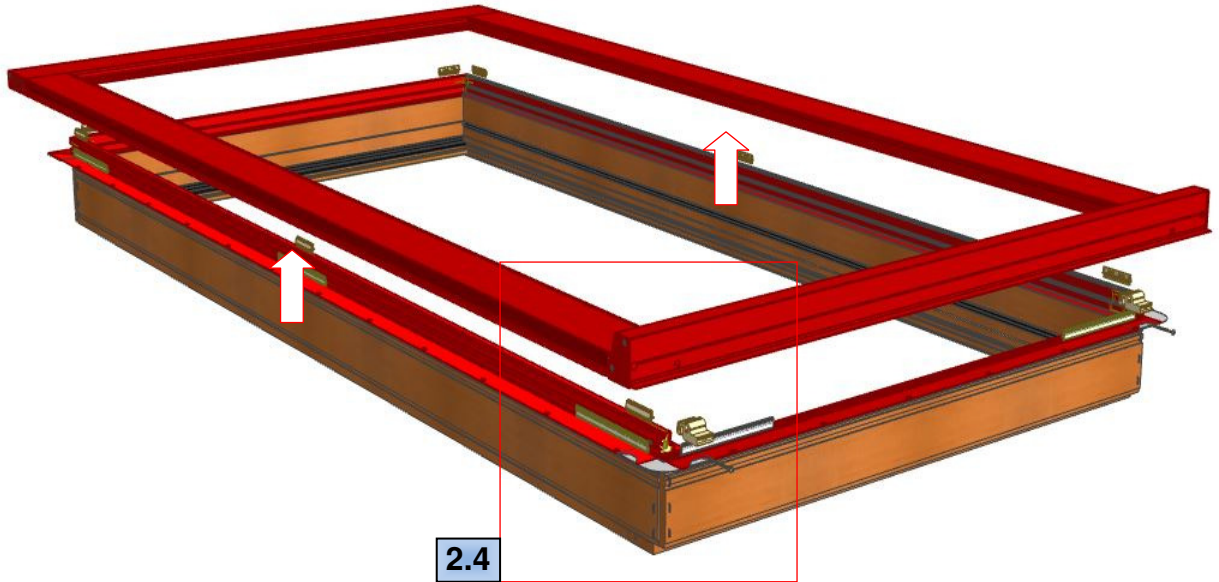
### SILL NOSING OPTIONS

1. Standard Sill Nosing
2. BC Sill Nosing
3. Heritage Sill Nosing

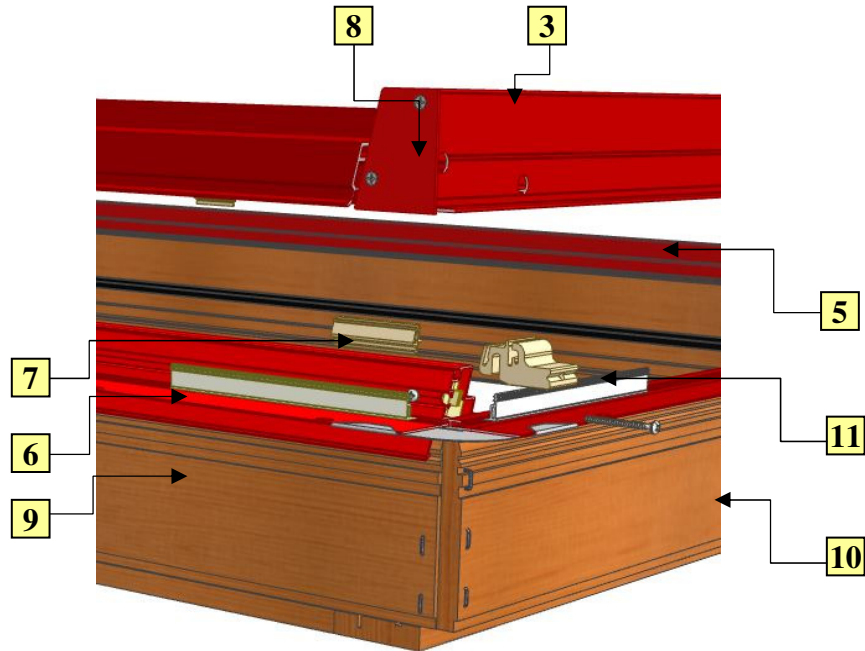
**Note:** Optional casings are Williamsburg, Adams and 3 ½" Flat Casing. These casing options automatically come with the BC sill nosing but are also available with the Heritage sill nosing.

## 2.0: Parts ( Continuation)

### 2.3) EXPLODED VIEW



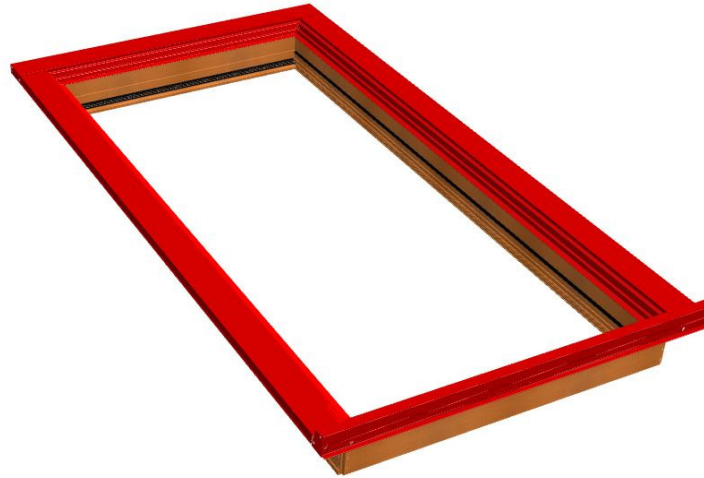
### 2.4) BOTTOM LEFT CORNER



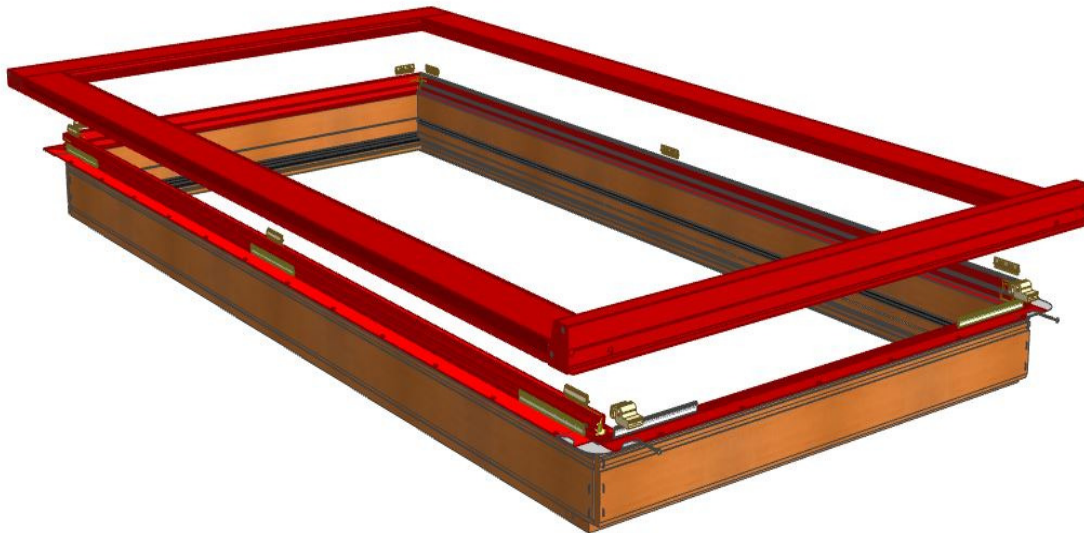
### 3.0: Installation & Preparation

Follow these instructions to install the site installed casing system to Loewen window systems

**3.1)** Remove protective packaging and dispose of as per local requirements. Gently place the unit on a clean & dry flat surface with the exterior side facing upward.



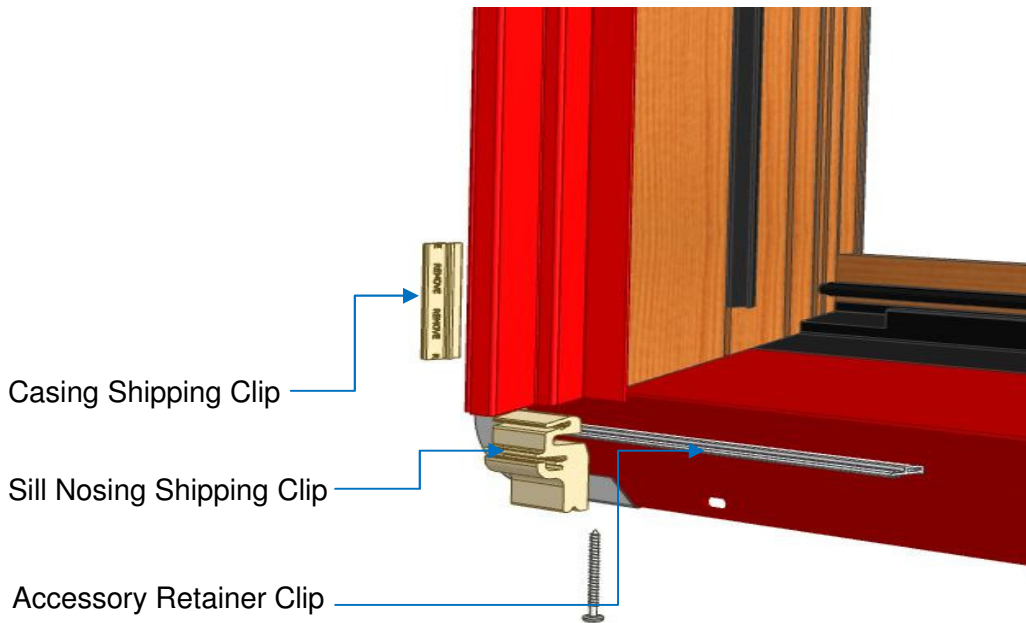
**3.2)** Optional casings will be pre-assembled and resting on the disposable casing shipping clips. The casing shipping clips keep the casings from accidentally engaging the accessory clip during shipping and handling. Remove the #6 x 1-1/2" pan head screws located on each sill nosing shipping clip (11). Keep the screws for installation of sill nosing. Separate the Casing/Sill Nosing assembly from the window by lightly lifting upwards, set casing assembly aside.



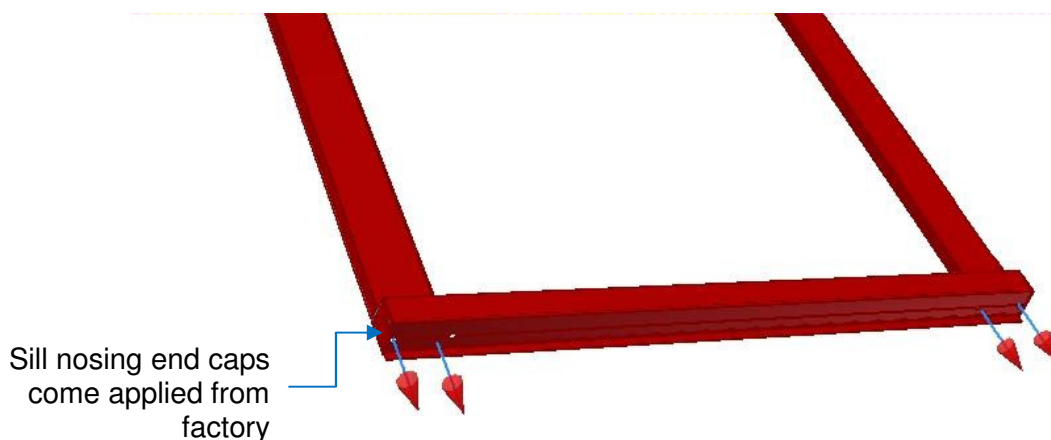


### 3.0: Installation & Preparation

**3.3)** Remove factory installed sill nosing casing shipping clip on the frame of the unit and discard. Ensure that accessory retainer clips are located 25mm (1") from each corner and then no greater than 508mm (20") apart.



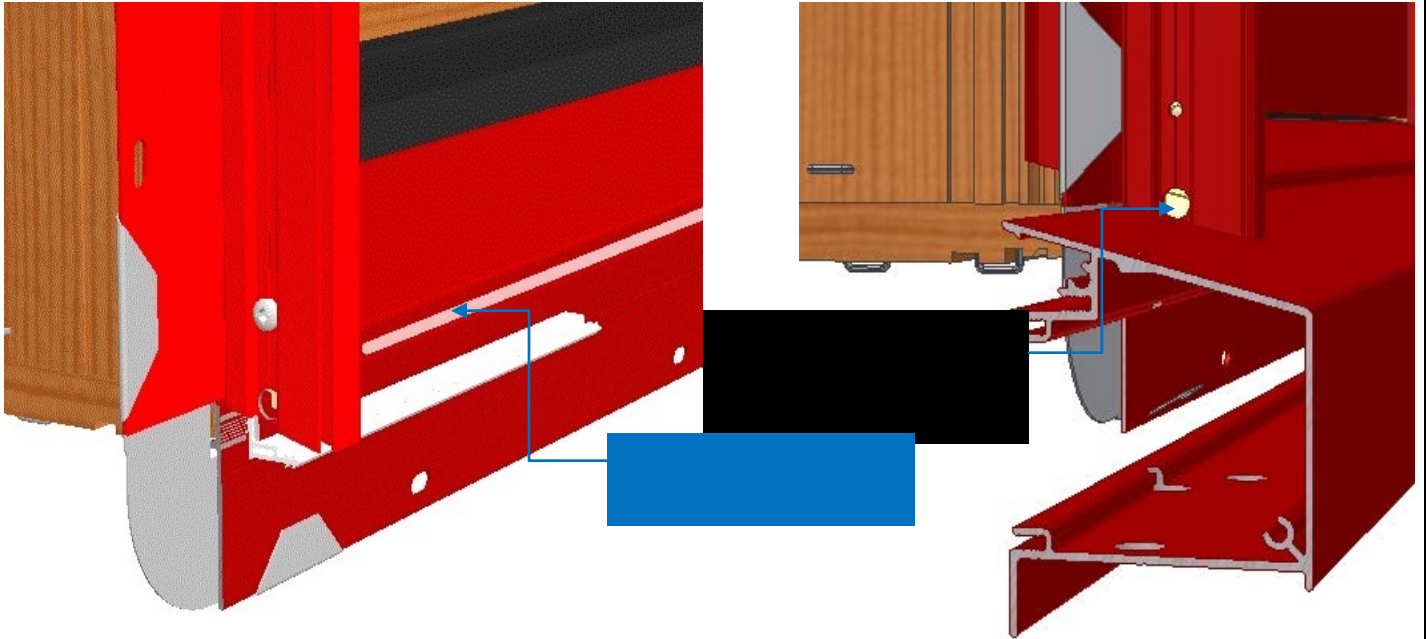
**3.4)** Separate Sill Nosing from the Side Casing by removing the #6 x 1-1/2" pan head screws. Two screws are located at each bottom corner.



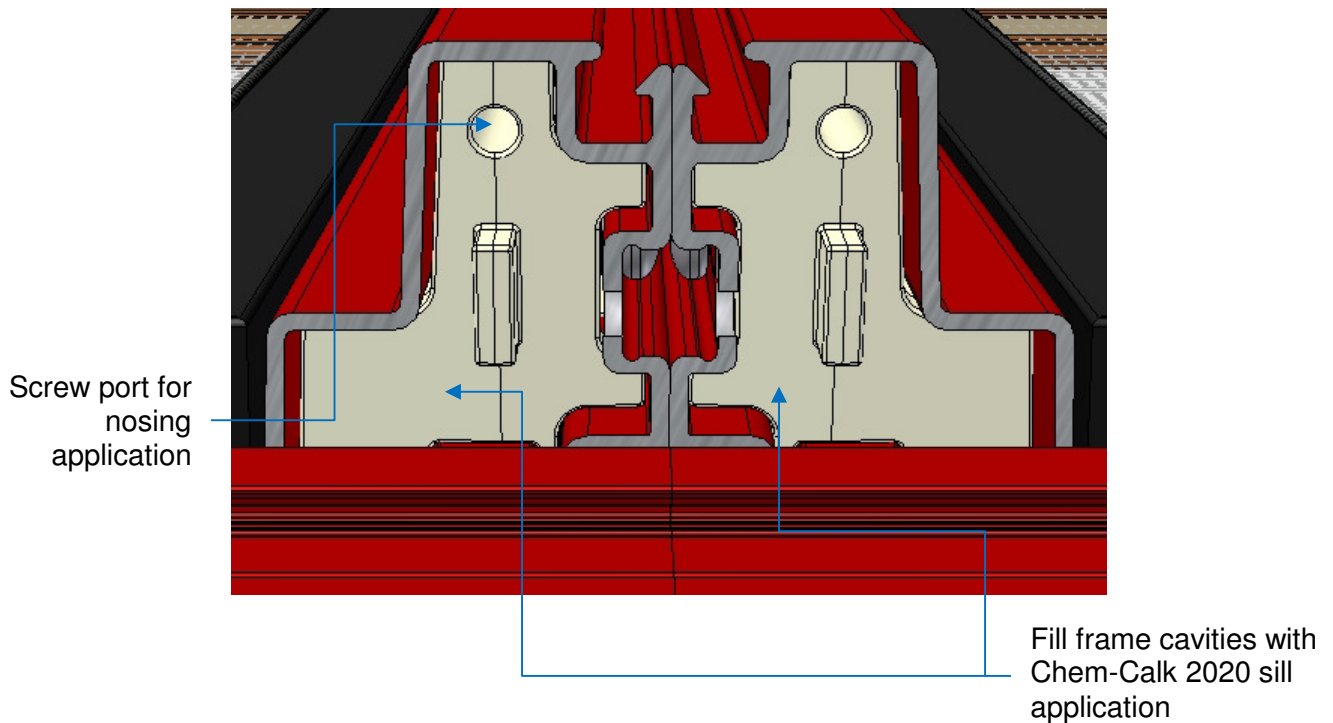


**3.0: Installation & Preparation (Continuation)**

3.5) M DPOU OVPVT CFBE PG 5SFNT M BMPOH UIF TMM CFUXFRO TMM  
 PTOH UP 4 MM MM CPUI TMM DPSOFS LFT UISPVHI TMM PSU IPMF  
 VOUM TFBMBOU CFDPNFT WT CMF BSPVOE UIF FOU SF FS NFUFS PG U



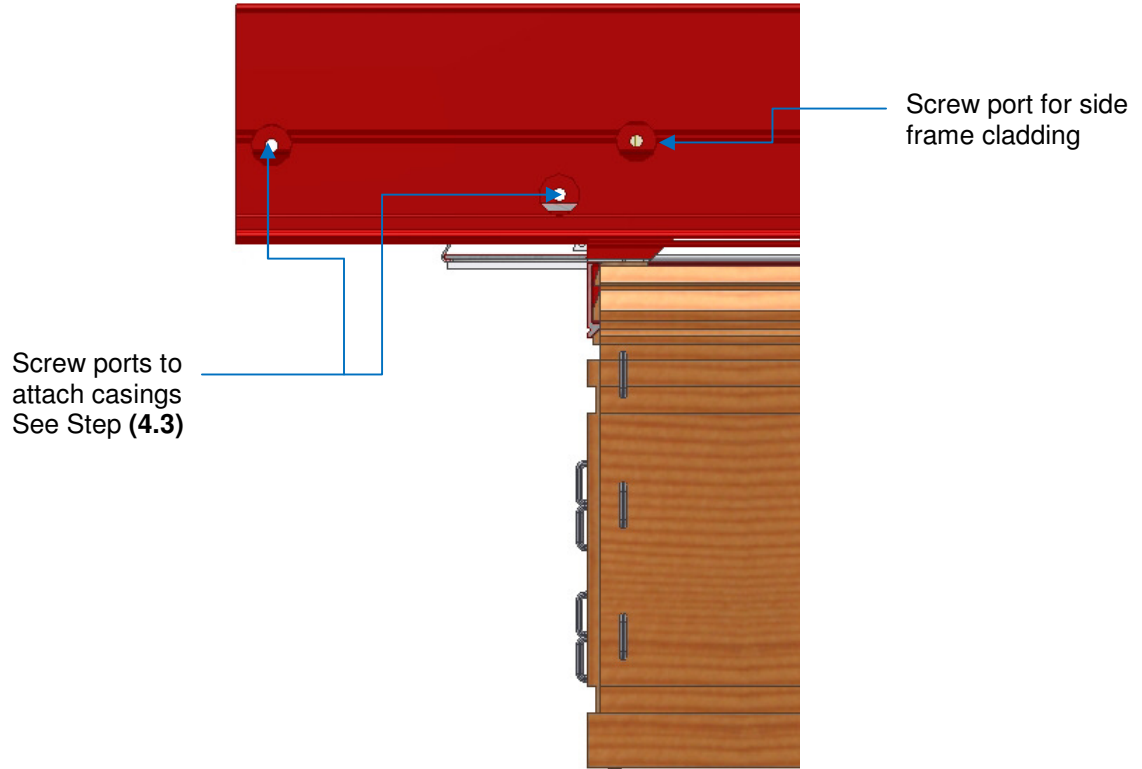
3.6) For Combination units only. At frame mullions, fill both frame end cavities with Dymonic FC. Then follow sill nosing to sill application instructions in (3.5)



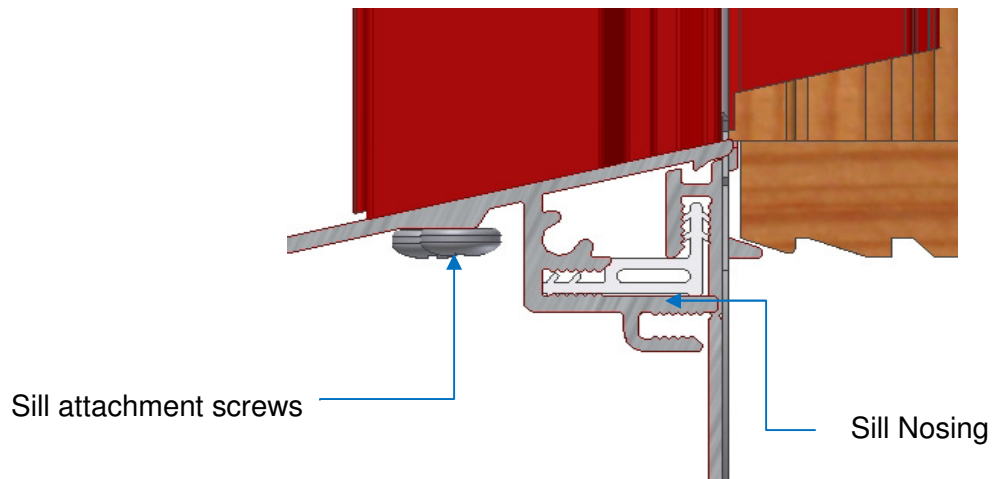


### 3.0: Installation & Preparation (Continuation)

3.7) Secure Sill Nosing to side Frame Cladding with two #6x1-1/2" pan head screws.



**Note:** Viewed from under side of sill



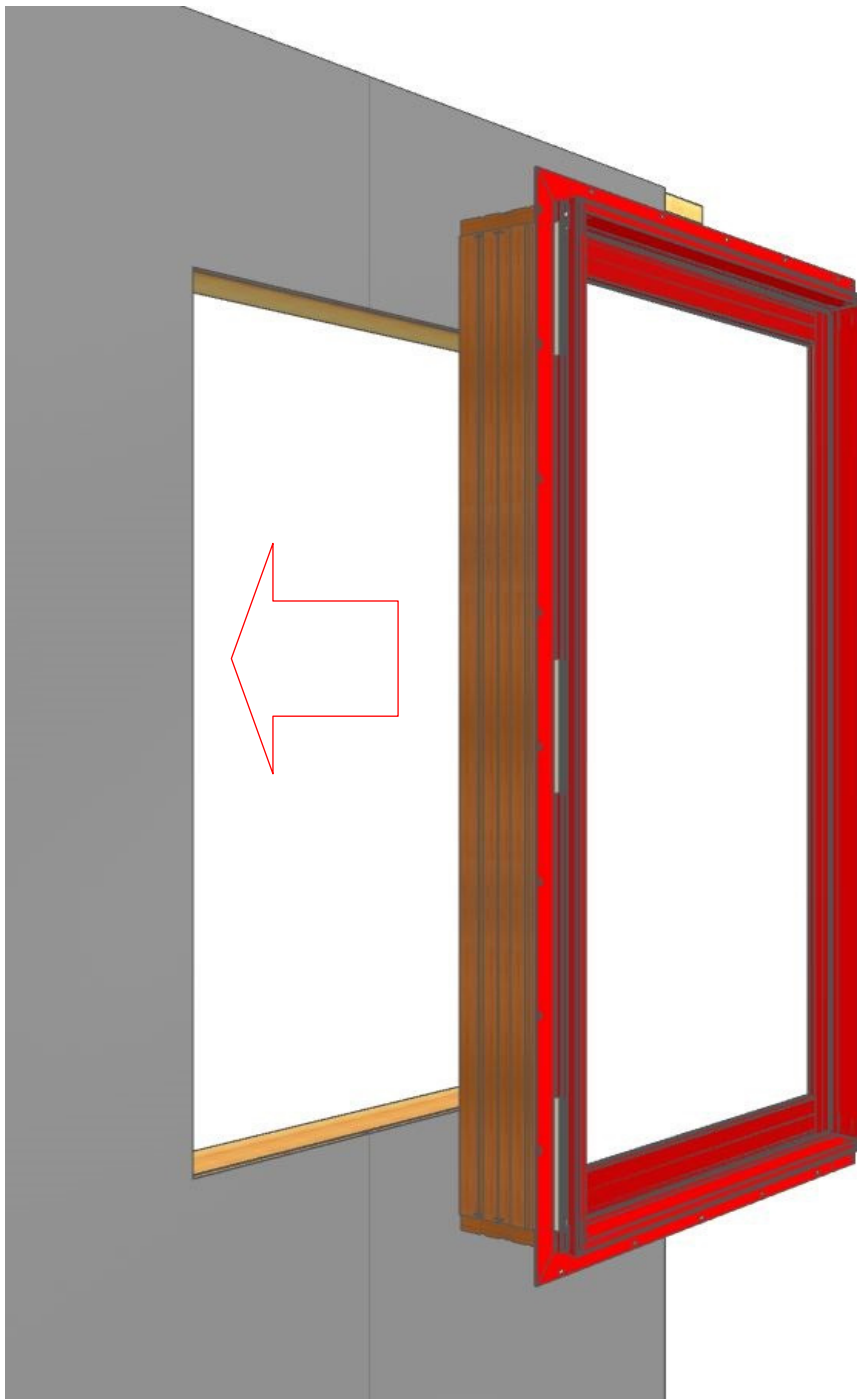
**Note:** Viewed from side

## 4.0: Unit & Casing System Installation



**Important:** Please use eye protection when removing and installing your casing & sill nosing. Follow equipment manufacturer's instruction for safe operation.

4.1) Install and seal the window unit into wall opening as per standard Loewen installation instructions.

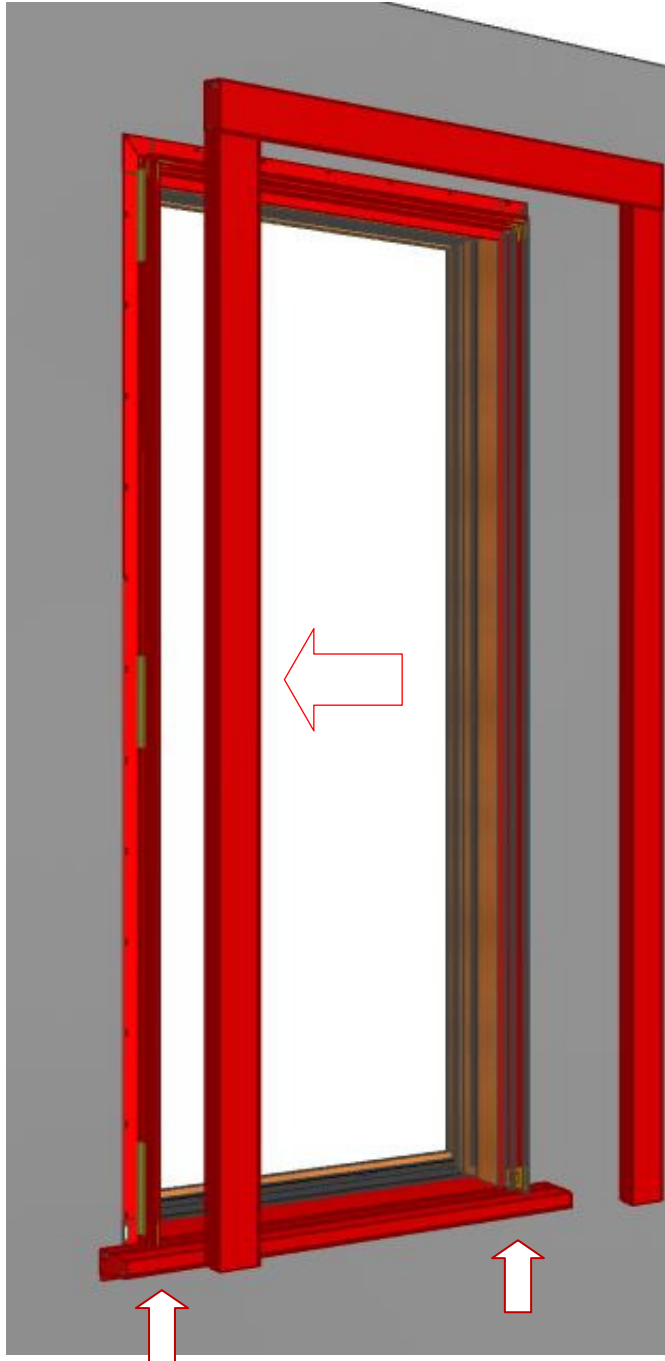




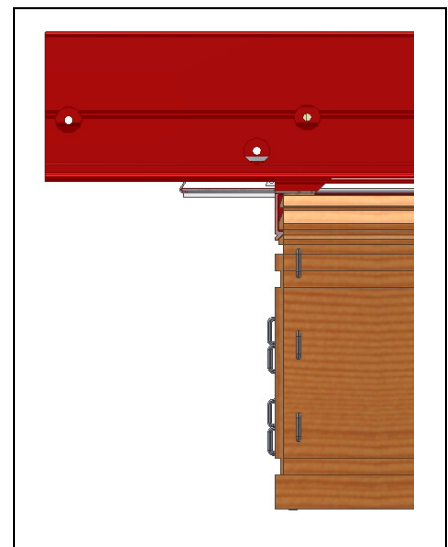


#### 4.0: Unit & Casing System Installation (Continuation)

**4.2)** Starting along the top and moving down the sides, push the casing assembly onto the frame mounted accessory retainer clips using light pressure as to not dent the casing. Insure full engagement of the casing to the frame, there should be no more than a 1/16" gap between the back of the casing and the wall surface.



**4.3)** Attached casing with # 6 x 1- 1/2" pan head screws.



Viewed from under side of sill