



Landmark Builders of Montana • LANDMARK RESIDENCE

TECHNICAL GUIDE M LIFTSLIDE DOORS

Loewen

PRODUCT FEATURES

STYLES

Jamb or pocketing, single or multi-panel systems in stacking, bi-parting or corner configurations.

STANDARD FEATURES

- 6063 T5 aircraft grade aluminum extrusions
- Thermally broken aluminum panels
- Corrosion resistant track with optional transverse drains
- Thermally efficient fiberglass raised threshold with integrated drainage
- Flexible gasket material
- 3 1/2" (89 mm) wide x 3 3/16" (82 mm) high stiles (4" (102 mm) wide with Back Cap)
- Robust hardware handles a maximum weight of 850 lbs per panel
- Recommended maximum panel size with standard glass is 88" (2235 mm) wide or 88" (2235 mm) tall and 70 square feet of glass
- Corrosion resistant stainless steel wheel assemblies with deformation resistant wheels and precision bearings
- Optional all-wood panels

HARDWARE

The solid brass Marcos handle is available in both removable and fixed configurations in two finishes: Oil rubbed Bronze and Satin Nickel. Optional solid bronze Flush Handle is available in: White Bronze Brushed, Bronze Dark Lustre and Silicone Bronze Dark.

See the Hardware in section A for more information.

GLAZING

Heat-Smart® Double, Heat-Smart® Triple, Tranquility and StormForce™.

SIMULATED DIVIDED LITES (SDL)

Ogee Profile — 3/4" (19 mm), 1 1/8" (30 mm), 2" (51 mm).

Putty Profile — 5/8" (16 mm), 7/8" (22 mm), 1 1/8" (30 mm), 2" (51 mm).

Square Profile (interior only) — 3/4" (19 mm), 7/8" (22 mm), 1 1/8" (30 mm), 2" (51 mm).

METAL CLAD COLOR SPECTRUM

Standard and Architectural Palette colors, including anodized finishes. Available in [Cyprium Collection](#) (see section N).

SPECIFICATIONS

STANDARDS

Units have been tested by an independent laboratory for thermal performance, air infiltration, water infiltration and structural performance.

FRAME

Thermally efficient fiberglass frame and sill with Coastal Douglas Fir interior.

ALTERNATE SPECIES

The entire Loewen product line is also available in optional Mahogany or optional FSC® chain of custody certified Douglas Fir (SCS-COC-005141).

PRESERVATIVE TREATED

All wood parts are dipped in approved preservative.

DOOR PANELS

Opening panels are equipped with 3G corrosion resistant stainless steel wheel assemblies with flat resistant wheels and precision bearings. Aircraft grade aluminum extrusions with VG Douglas Fir Interior (Mahogany option available). Optional all wood construction available. Stiles are 3 1/2" (89 mm) wide x 3 3/16" (82 mm) high for extra strength and durability.

GLAZING

With countless glazing configurations and Low E coating options, we ensure that you can choose the perfect blend of protection and comfort.

INSULATING GLASS

Double or triple insulating tempered glass configurations, with 1/2" (13 mm) airspace.

HEAT-SMART® SYSTEMS

Heat-Smart® best describes the benefits of the product that incorporates Low E coating and argon gas. Heat-Smart® systems help reduce heating and cooling costs, providing superior energy efficiency.

SIMULATED DIVIDED LITES (SDL)

Standard SDL complete with airspace grilles. Grille bars are permanently applied to the interior and exterior.

METAL CLADDING

Heavy duty exterior metal cladding comprised of extruded aluminum is available in a variety of Standard and Architectural Palette colors, including anodized and Cyprium™ (copper and bronze cladding). Interior of window can be natural wood (unfinished) or primed. Metal clad units are supplied ready-to-install complete with integral metal nailing flange.

SILLS

Sills available in several corrosion resistant options. Flush tracks with stainless steel rail available in 1" (26 mm) and 1 1/2" (39 mm) versions with optional transverse drains with 18" (457 mm) drainage tube. Fiberglass raised sills available for regions with more inclement weather conditions and colder climates.

HARDWARE

Durable, corrosion resistant hardware designed to withstand the elements providing nearly effortless operation. The solid brass Marcos handle is available in both removable and fixed configurations in two finishes: Oil Rubbed Bronze and Satin Nickel. Complementary edge pulls assist in sliding the door from a pocket. The stainless steel wheel mechanisms feature deformation resistant wheels and precision bearings to ensure smooth performance.

WEATHERSTRIP

Flexible weatherstrip ensures maximum protection against air and water infiltration.

SCREEN

Multi-function retractable screen available.

LEGEND: ● Standard ○ Optional

LiftSlide		LiftSlide	
HARDWARE STYLES		VARIABLES	
Marcos Handle	●	Function:	
Flush Handle	●	Use for Egress	●
		Available with Screen	○
		Durability:	
		Low Maintenance Metal Clad Exterior ¹	●
		Clear Douglas Fir Exterior Finish	○
		Clear Mahogany Exterior Finish	○
		Primed Exterior Finish	○
		Cyprium Collection	○
		Performance:	
		Heat-Smart® Double	●
		Heat-Smart® Triple	○
		StormForce™	○
		Appearance:	
		SDL	○
		Vertical Grain Fir Panel	●

FINISH OPTIONS: REFER TO SECTION A.

1 – Various Standard and Architectural metal clad colors, including anodized finishes

Visit the [Loewen Photo Gallery](#) online at www.loewen.com for a large collection of Loewen product and elevation photography.

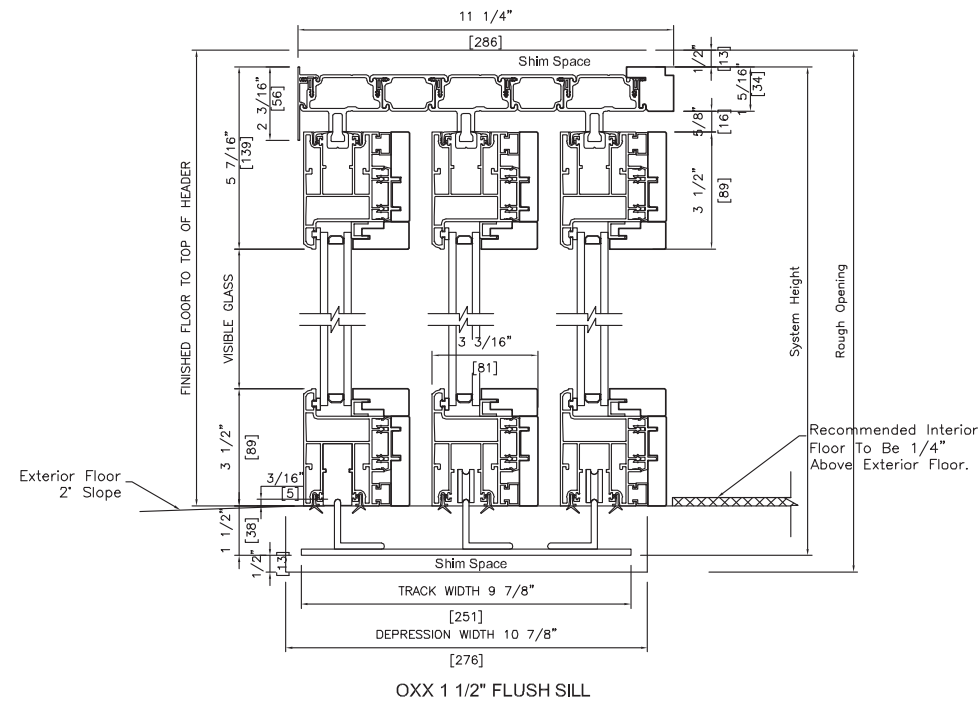
Numerous custom window configuration opportunities exist — please contact your Authorized Loewen Dealer.

Specifications and technical information are subject to change without notice. Imperial and metric measurements are converted accurately. However, in some cases, industry standards cause a 1 mm variance. [Example: 3/4" is shown as 19 mm for all glass measurements.]

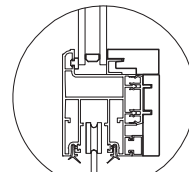
CAD Download: www.loewen.com/architect | Installation Instructions: www.loewen.com

LIFTSLIDE DOOR DETAIL

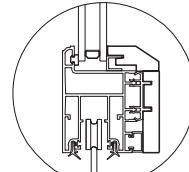
HEAD & SILL DETAIL



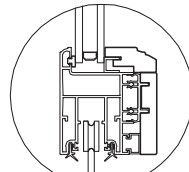
GLAZING STOP OPTIONS



SQUARE

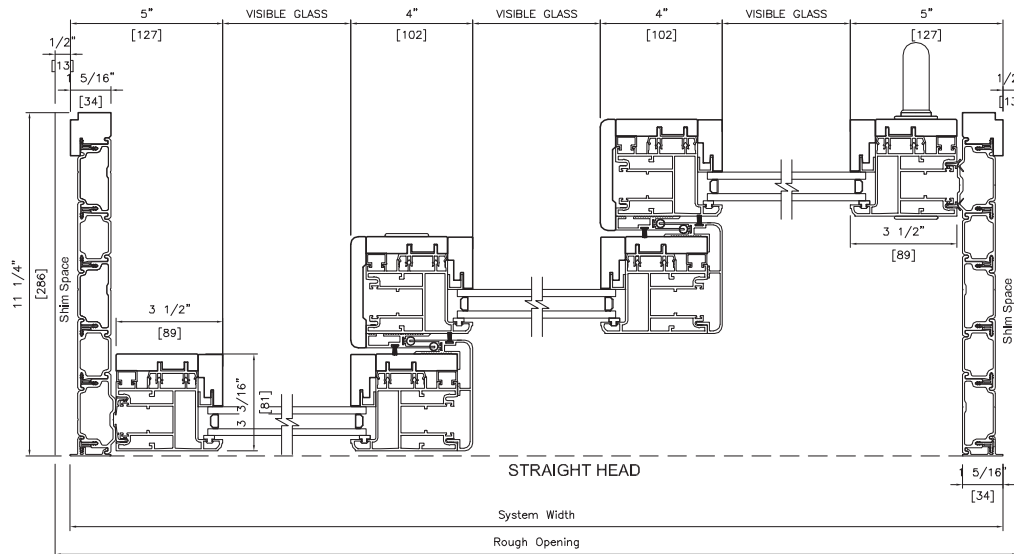


PUTTY



OGEE

PLAN VIEW

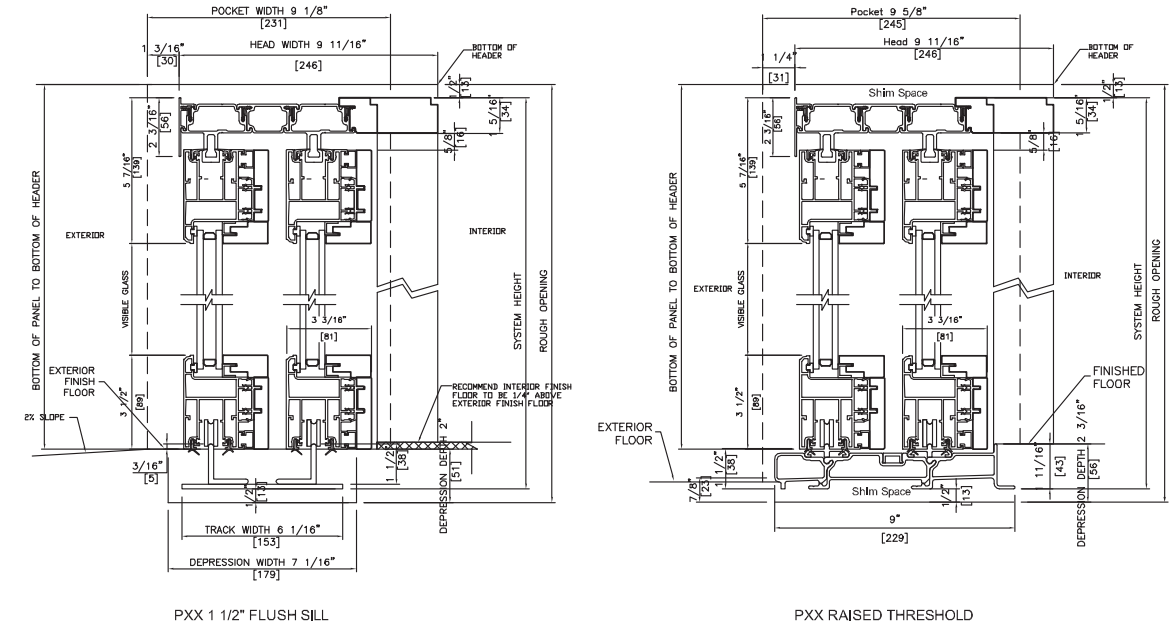


- Note:
- Drawings shown are typical details.
 - Additional sizes and configurations available.
 - Screen options may be available depending on size and configuration.
 - Raised threshold available with a maximum of 6 panels per sill (12 in a bi-parting configuration; 2 per track).
 - Consult your Authorized Dealer for details.
 - All dimensions to have +/- 1/16" [2 mm] tolerance.
 - O = Fixed
 - X = Operating
 - P = Pocketing

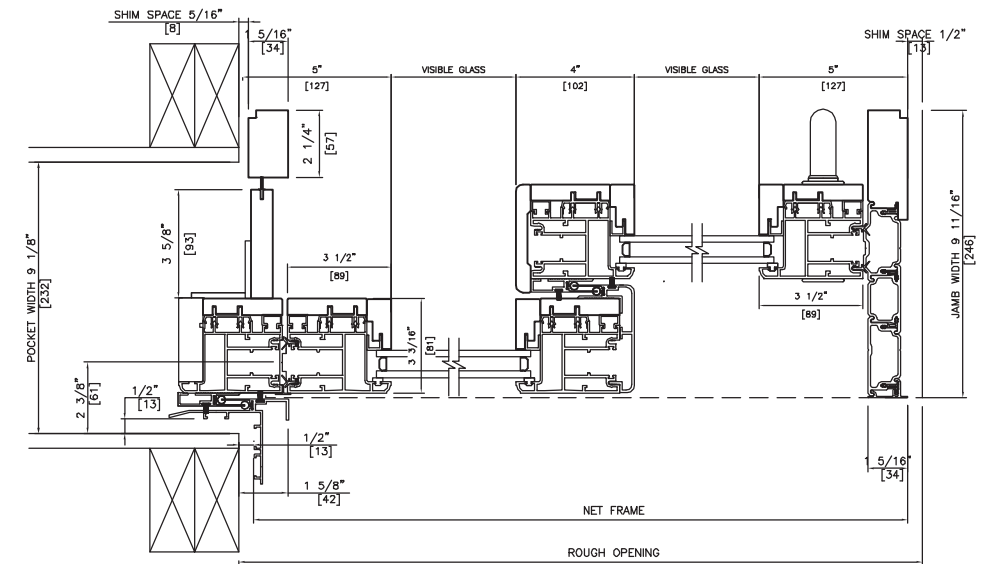
- The preparation of the rough opening for large openings such as those required by, but not limited to, LiftSlide and Bifold doors have unique requirements. Structural headers that allow for deflection no greater than 1/8" along the unsupported length once the header is fully loaded are required. Special care needs to be taken when installing any unit including transoms above such large opening units.
- Loewen is not responsible for site measurements or the determination of structural and architectural requirements for the installation of large opening products such as but not limited to, Liftslide and Bifold doors. Site specifications are the responsibility of building professionals or engineers to determine.

LIFTSLIDE DOOR DETAIL

HEAD & SILL DETAIL



PLAN VIEW

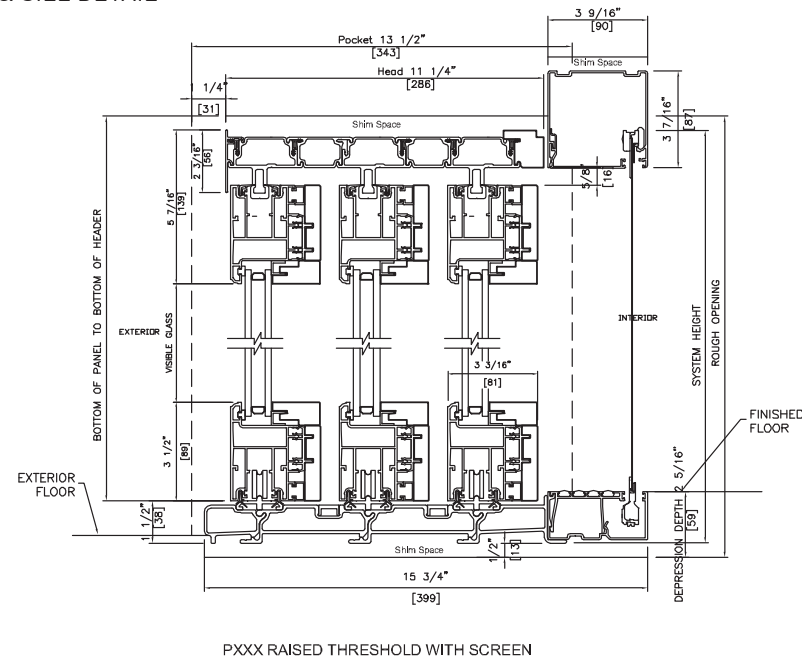


- Note:
- Drawings shown are typical details.
 - Additional sizes and configurations available.
 - Screen options may be available depending on size and configuration.
 - Raised threshold available with a maximum of 6 panels per sill (12 in a bi-parting configuration; 2 per track).
 - Consult your Authorized Dealer for details.
 - All dimensions to have +/- 1/16" [2 mm] tolerance.
 - O = Fixed
 - X = Operating
 - P = Pocketing

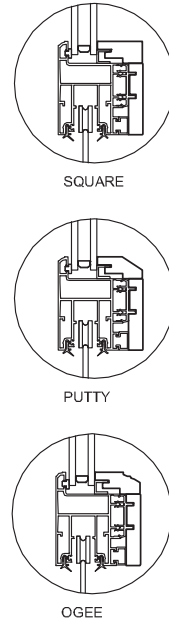
- The preparation of the rough opening for large openings such as those required by, but not limited to, LiftSlide and Bifold doors have unique requirements. Structural headers that allow for deflection no greater than 1/8" along the unsupported length once the header is fully loaded are required. Special care needs to be taken when installing any unit including transoms above such large opening units.
- Loewen is not responsible for site measurements or the determination of structural and architectural requirements for the installation of large opening products such as but not limited to, Liftslide and Bifold doors. Site specifications are the responsibility of building professionals or engineers to determine.

LIFTSLIDE DOOR DETAIL

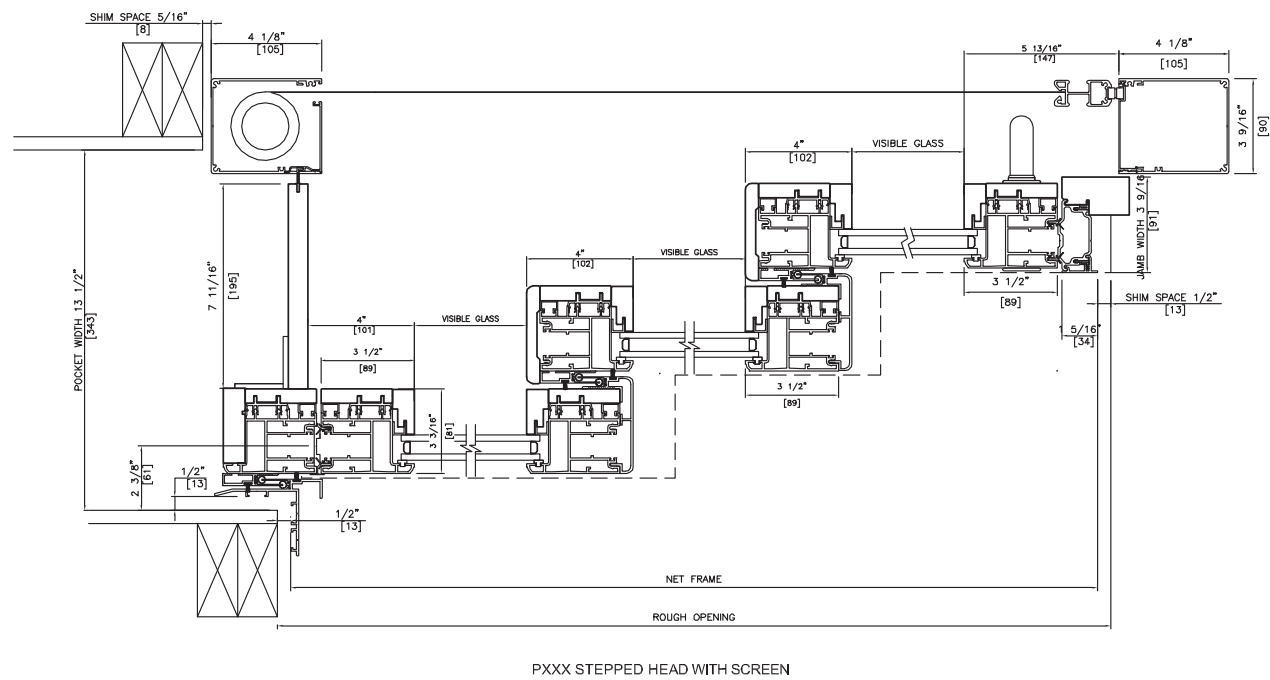
HEAD & SILL DETAIL



GLAZING STOP OPTIONS



PLAN VIEW

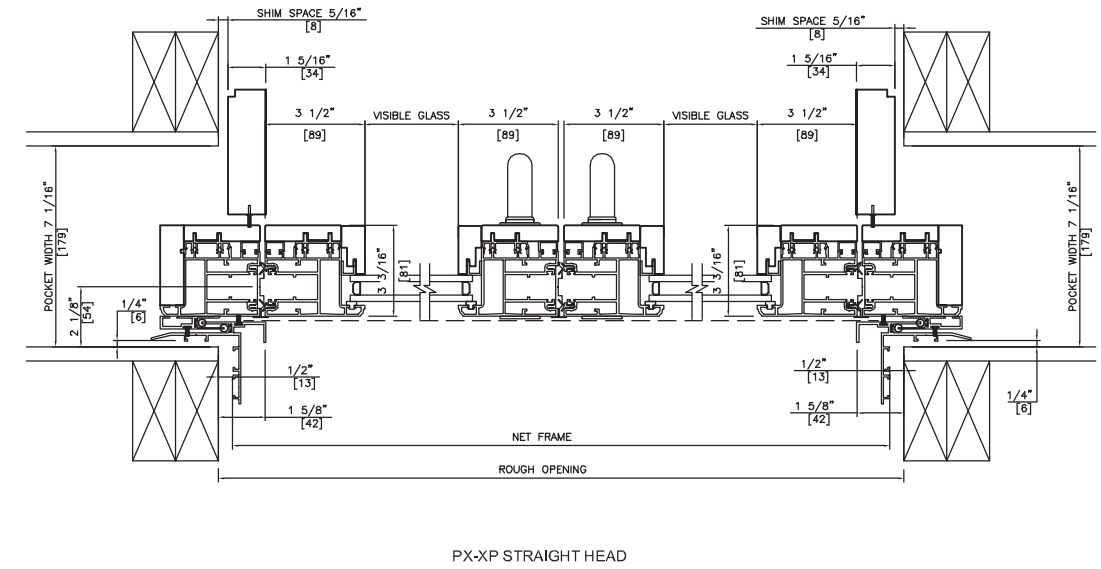


- Note:
- Drawings shown are typical details.
 - Additional sizes and configurations available.
 - Screen options may be available depending on size and configuration.
 - Raised threshold available with a maximum of 6 panels per sill (12 in a bi-parting configuration; 2 per track).
 - Consult your Authorized Dealer for details.
 - All dimensions to have +/- 1/16" [2 mm] tolerance.
 - O = Fixed
 - X = Operating
 - P = Pocketing

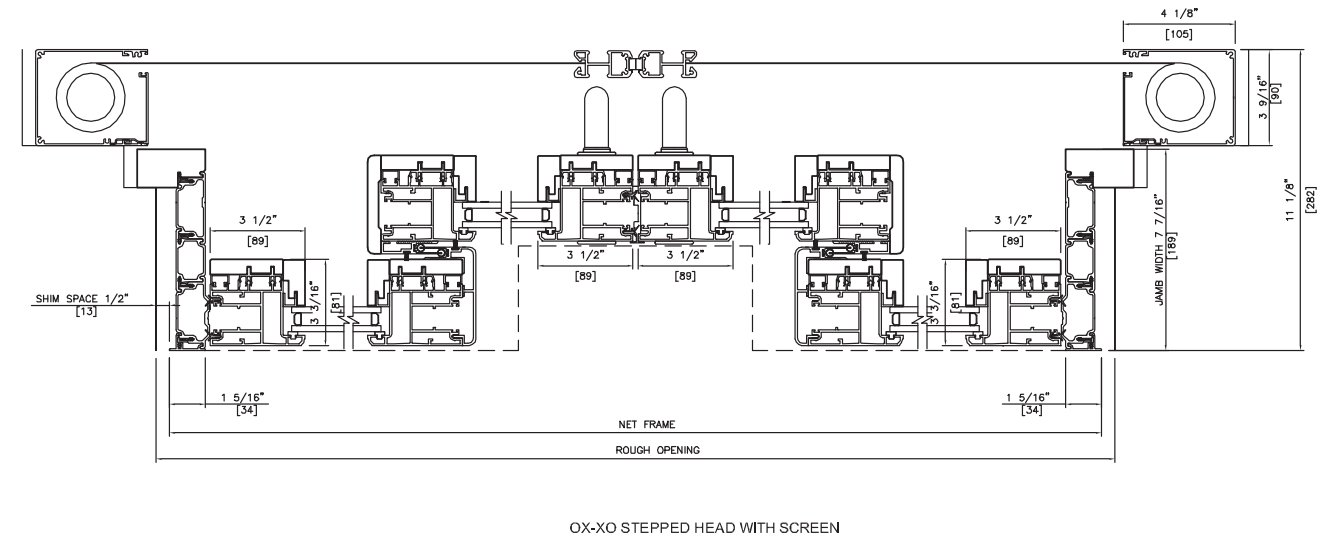
- The preparation of the rough opening for large openings such as those required by, but not limited to, LiftSlide and Bifold doors have unique requirements. Structural headers that allow for deflection no greater than 1/8" along the unsupported length once the header is fully loaded are required. Special care needs to be taken when installing any unit including transoms above such large opening units.
- Loewen is not responsible for site measurements or the determination of structural and architectural requirements for the installation of large opening products such as but not limited to, Liftslide and Bifold doors. Site specifications are the responsibility of building professionals or engineers to determine.

LIFTSLIDE DOOR DETAIL

PLAN VIEW



PLAN VIEW

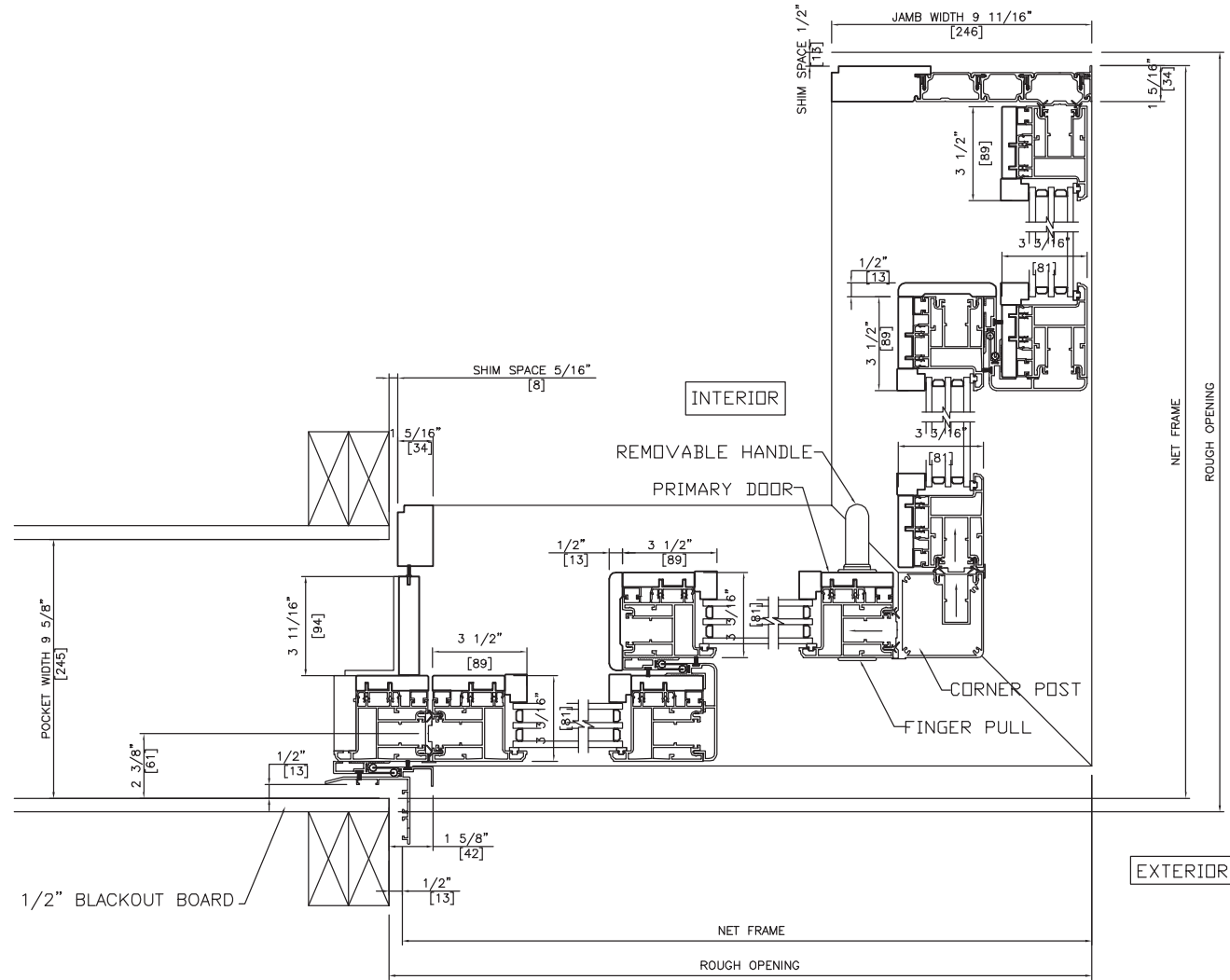


- Note:
- Drawings shown are typical details.
 - Additional sizes and configurations available.
 - Screen options may be available depending on size and configuration.
 - Raised threshold available with a maximum of 6 panels per sill (12 in a bi-parting configuration; 2 per track).
 - Consult your Authorized Dealer for details.
 - All dimensions to have +/- 1/16" [2 mm] tolerance.
 - O = Fixed
 - X = Operating
 - P = Pocketing

- The preparation of the rough opening for large openings such as those required by, but not limited to, LiftSlide and Bifold doors have unique requirements. Structural headers that allow for deflection no greater than 1/8" along the unsupported length once the header is fully loaded are required. Special care needs to be taken when installing any unit including transoms above such large opening units.
- Loewen is not responsible for site measurements or the determination of structural and architectural requirements for the installation of large opening products such as but not limited to, Liftslide and Bifold doors. Site specifications are the responsibility of building professionals or engineers to determine.

LIFTSLIDE DOOR DETAIL

PLAN VIEW



- Note:
- Drawings shown are typical details.
 - Additional sizes and configurations available.
 - Screen options may be available depending on size and configuration.
 - Raised threshold available with a maximum of 6 panels per sill (12 in a bi-parting configuration; 2 per track).
 - Consult your Authorized Dealer for details.
 - All dimensions to have +/- 1/16" [2 mm] tolerance.
 - O = Fixed
 - X = Operating
 - P = Pocketing
- The preparation of the rough opening for large openings such as those required by, but not limited to, LiftSlide and Bifold doors have unique requirements. Structural headers that allow for deflection no greater than 1/8" along the unsupported length once the header is fully loaded are required. Special care needs to be taken when installing any unit including transoms above such large opening units.
- Loewen is not responsible for site measurements or the determination of structural and architectural requirements for the installation of large opening products such as but not limited to, Liftslide and Bifold doors. Site specifications are the responsibility of building professionals or engineers to determine.

LIFTSLIDE DOOR DETAIL

TYPICAL SIZES

PANELS	CONFIGURATION	STYLE	FRAME TYPE	ROUGH OPENING (3' PANELS)	HEAD WIDTH (3' PANELS, NO SCREENS)	FINISH POCKET WIDTH	ROUGH OPENING (4' PANELS)	HEAD WIDTH (4' PANELS, NO SCREENS)	FINISH POCKET WIDTH
2	OX or XO	Stacking	Jamb	73 [1854]	7 7/16 [189]	-	97 [2464]	7 7/16 [189]	-
3	OXX or XXO	Stacking	Jamb	106 [2692]	11 1/4 [286]	-	142 [3607]	11 1/4 [286]	-
4	OXXX or XXXO	Stacking	Jamb	139 [3531]	15 1/8 [384]	-	187 [4750]	15 1/8 [384]	-
5	OXXXX or XXXXO	Stacking	Jamb	172 [4369]	19 [483]	-	232 [5893]	19 [483]	-
6	OXXXXX or XXXXO	Stacking	Jamb	205 [5207]	22 13/16 [579]	-	277 [7036]	22 13/16 [579]	-
4	OX-XO	Bi-Parting	Jamb	142 3/16 [3612]	7 7/16 [189]	-	190 3/16 [4831]	7 7/16 [189]	-
6	OXX-XXO	Bi-Parting	Jamb	208 3/16 [5288]	11 1/4 [286]	-	280 3/16 [7117]	11 1/4 [286]	-
8	OXXX-XXXO	Bi-Parting	Jamb	274 3/16 [6964]	15 1/8 [384]	-	370 3/16 [9403]	15 1/8 [384]	-
10	OXXXX-XXXXO	Bi-Parting	Jamb	340 3/16 [8641]	19 [483]	-	460 3/16 [11689]	19 [483]	-
12	OXXXXX-XXXXXO	Bi-Parting	Jamb	406 3/16 [10317]	22 13/16 [579]	-	550 3/16 [13975]	22 13/16 [579]	-
1	PX or XP	Stacking	Single pocket	39 11/16 [1008]	8 1/16 [205]	7 1/16 [179]	51 11/16 [1313]	8 1/16 [205]	7 1/16 [179]
2	PXX or XXP	Stacking	Single pocket	72 11/16 [1846]	9 11/16 [246]	9 1/8 [232]	96 11/16 [2456]	9 11/16 [246]	9 1/8 [232]
3	PXXX or XXXP	Stacking	Single pocket	105 11/16 [2684]	13 1/2 [343]	13 [330]	141 11/16 [3599]	13 1/2 [343]	13 [330]
4	PXXXX or XXXXP	Stacking	Single pocket	138 11/16 [3523]	17 3/8 [441]	16 13/16 [427]	186 11/16 [4742]	17 3/8 [441]	16 13/16 [427]
5	PXXXXX or XXXXP	Stacking	Single pocket	171 11/16 [4361]	21 1/4 [540]	20 11/16 [525]	231 11/16 [5885]	21 1/4 [540]	20 11/16 [525]
6	PXXXXXX or XXXXP	Stacking	Single pocket	204 11/16 [5199]	25 1/16 [637]	24 9/16 [624]	276 11/16 [7028]	25 1/16 [637]	24 9/16 [624]
2	PX-XP	Bi-Parting	Dual pocket	75 1/2 [1918]	-	7 1/16 [179]	99 1/2 [2527]	-	7 1/16 [179]
4	PXX-XXP	Bi-Parting	Dual pocket	141 1/2 [3594]	-	9 1/8 [232]	189 1/2 [4813]	-	9 1/8 [232]
6	PXXX-XXXP	Bi-Parting	Dual pocket	207 1/2 [5271]	-	13 [330]	279 1/2 [7099]	-	13 [330]
8	PXXXX-XXXXP	Bi-Parting	Dual pocket	273 1/2 [6947]	-	16 13/16 [427]	369 1/2 [9385]	-	16 13/16 [427]
10	PXXXXX-XXXXXP	Bi-Parting	Dual pocket	339 1/2 [8623]	-	20 11/16 [525]	459 1/2 [11671]	-	20 11/16 [525]
12	PXXXXXX-XXXXXP	Bi-Parting	Dual pocket	405 1/2 [10300]	-	24 9/16 [624]	549 1/2 [13957]	-	24 9/16 [624]

Additional configurations and sizes available. Consult your Authorized Loewen Dealer for details.

PANEL HEIGHT	ROUGH OPENING HEIGHT (1" FLUSH TRACK)	ROUGH OPENING HEIGHT (1 1/2" FLUSH TRACK)	ROUGH OPENING HEIGHT (RAISED THRESHOLD)
84 [2134]	87 15/16 [2234]	88 7/16 [2246]	88 7/16 [2246]
96 [2438]	99 15/16 [2538]	100 7/16 [2551]	100 7/16 [2551]
108 [2743]	111 15/16 [2843]	112 7/16 [2856]	112 7/16 [2856]
120 [3048]	123 15/16 [3148]	124 7/16 [3161]	124 7/16 [3161]
144 [3658]	147 15/16 [3758]	148 7/16 [3770]	148 7/16 [3770]

Additional heights available. Consult your Authorized Loewen Dealer for details.

- Note:
- O = Fixed
 - X = Operating
 - P = Pocketing
- The preparation of the rough opening for large openings such as those required by, but not limited to, LiftSlide and Bifold doors have unique requirements. Structural headers that allow for deflection no greater than 1/8" along the unsupported length once the header is fully loaded are required. Special care needs to be taken when installing any unit including transoms above such large opening units.
- Loewen is not responsible for site measurements or the determination of structural and architectural requirements for the installation of large opening products such as but not limited to, Liftslide and Bifold doors. Site specifications are the responsibility of building professionals or engineers to determine.

