



BELVEDERE PROJECT

TECHNICAL GUIDE F
ACCESS WINDOWS

PRODUCT FEATURES

STYLES

Access, Double Access and Push Out Access options.

STANDARD FEATURES

- Natural Douglas Fir interior (no visible finger joints)
- 4 9/16" (116 mm) jamb construction
- Clear Low E insulated glazing with 1/2" (13 mm) airspace
- Roto gear, Push Out operation, sash locks and custodial locks
- Push Out operator may meet egress requirements. Check your local building code for compliance.
- Extruded aluminum cladding in a variety of standard colors, primed wood or clear fir interior
- Flexible weatherstrip system
- Insect screens with high transparency mesh option

HARDWARE

Multiple hardware type and finish choices are available. See the Hardware in section A for more information.

GLAZING

Heat-Smart® Double, Heat-Smart® Triple and Tranquility®.

SIMULATED DIVIDED LITES (SDL)

Ogee Profile — 3/4" (19 mm), 1 1/8" (30 mm), 2" (51 mm).
 Putty Profile — 5/8" (16 mm), 7/8" (22 mm), 1 1/8" (30 mm), 2" (51 mm).
 Square Profile (interior only)— 3/4" (19 mm), 7/8" (22 mm), 1 1/8" (30 mm), 2" (51 mm).

CASING

2" (51 mm) Brickmould, 3 1/2" (89 mm) Flat Casing in Metal Clad only.

METAL CLAD COLOR SPECTRUM

Standard and Architectural Palette colors, including anodized finishes.



Double Access



Access

LEGEND: ● Standard ○ Optional

HARDWARE STYLES	Access
Folding Crank Handle	●
Push Out Handle	○
Sash Lock	●
Custodial Lock	○

VARIABLES	Access
Function:	
Use for Egress ²	●
Available with Screen	●
Durability:	
Low Maintenance Metal Clad Exterior ¹	●
Performance:	
Heat-Smart® Double	●
Heat-Smart® Triple	○
Tranquility®	○
Appearance:	
SDL	○

FINISH OPTIONS: REFER TO SECTION A.

1 – Various Standard and Architectural metal clad colors, including anodized finishes
 2 – With optional Push Out handle

SPECIFICATIONS

STANDARDS

Most units have been tested by an independent laboratory for air and water infiltration, structural performance and thermal performance.

FRAME & SASH

Manufactured from Coastal Douglas Fir kiln-dried lumber with frame construction designed for 4 9/16" (116 mm) jamb. Available in metal clad only.

ALTERNATE SPECIES

The entire Loewen product line is also available in optional Mahogany or optional FSC® chain of custody certified Douglas Fir (SCS-COC-005141).

PRESERVATIVE TREATED

All wood parts are dipped in approved preservative.

GLAZING

With countless glazing configurations and Low E coating options, we ensure that you can choose the perfect blend of protection and comfort.

INSULATING GLASS

Double and triple glass configurations with 1/2" (13 mm) airspace.

HEAT-SMART® SYSTEMS

Heat-Smart® best describes the benefits of the product that incorporates Low E coating and argon gas. Heat-Smart® systems help reduce heating and cooling costs, providing superior energy efficiency.

SIMULATED DIVIDED LITES (SDL)

Standard SDL complete with airspace grilles. Grille bars are permanently applied to the interior and exterior.

METAL CLADDING

Heavy duty exterior metal cladding comprised of extruded aluminum is available in a variety of Standard and Architectural Palette colors, including anodized finishes. Interior of window can be natural wood (unfinished) or primed. Metal clad units are supplied ready-to-install complete with integral metal nailing flange.

HARDWARE

Unique hardware allows window sash to rotate nearly 180 degrees along its horizontal axis for easy cleaning from the inside. The hinge system is amazingly strong, allowing for larger than average single operating sash. Standard roto gear operator detaches at the sash, allowing it to open out for ease of cleaning. All Access roto gear units are supplied with dual sash locks for added security and tighter seal. All steel components are coated for superior corrosion protection.

HARDWARE OPTION

Roto gear operator and sash locks are standard in bronze, linen, sandstone or black. Access units available with optional Push Out handles and single action dual locking mechanism. Hardware finishes are dependent on hardware style chosen.

DOUBLE WEATHERSTRIP

Foam filled weatherstrip on frame plus dual sash weatherstrip barrier on top rail ensure maximum energy efficiency and water performance.

SCREEN

Screens available in a bronze, linen, sandstone or black aluminum frame, screened with anti-glare fiberglass cloth. Wood-framed screens and high transparency mesh available.

EGRESS

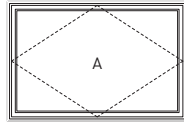
To meet egress with the Access window, the optional Push Out handle must be ordered. Consult local building codes for compliance and confirmation of size requirements for your area. Consult your Authorized Loewen Dealer for more details.

Visit the [Loewen Photo Gallery](http://www.loewen.com) online at www.loewen.com for a large collection of Loewen product and elevation photography.

Numerous custom window configuration opportunities exist — please contact your Authorized Loewen Dealer.

Specifications and technical information are subject to change without notice. Imperial and metric measurements are converted accurately. However, in some cases, industry standards cause a 1 mm variance. [Example: 3/4" is shown as 19 mm for all glass measurements.]

CAD Download and Installation Instructions: www.loewen.com

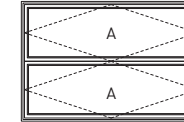


ACCESS WINDOW SIZES

Rough Opening		WIDTH								
		32 1/4 [819]	36 3/16 [919]	40 1/8 [1019]	48 [1219]	55 7/8 [1419]	59 13/16 [1519]	63 3/4 [1619]	71 5/8 [1819]	
		Frame	31 1/2 [800]	35 7/16 [900]	39 3/8 [1000]	47 1/4 [1200]	55 1/8 [1400]	59 1/16 [1500]	63 [1600]	70 7/8 [1800]
Visible Glass		24 [610]	27 15/16 [710]	31 7/8 [810]	39 3/4 [1010]	47 5/8 [1210]	51 9/16 [1310]	55 1/2 [1410]	63 3/8 [1610]	
24 3/8 [619]	23 5/8 [600]	15 15/16 [405]	XS1 0806	XS1 0906	XS1 1006	XS1 1206	XS1 1406	XS1 1506	XS1 1606	XS1 1806
32 1/4 [819]	31 1/2 [800]	23 13/16 [605]	XS1 0808	XS1 0908	XS1 1008	XS1 1208	XS1 1408	XS1 1508	XS1 1608	XS1 1808
36 3/16 [919]	35 7/16 [900]	27 3/4 [705]	XS1 0809	XS1 0909	XS1 1009	XS1 1209	XS1 1409	XS1 1509	XS1 1609	XS1 1809
40 1/8 [1019]	39 3/8 [1000]	31 11/16 [805]	XS1 0810	XS1 0910	XS1 1010	XS1 1210	XS1 1410	XS1 1510	XS1 1610	XS1 1810
48 [1219]	47 1/4 [1200]	39 9/16 [1005]	XS1 0812	XS1 0912	XS1 1012	XS1 1212	XS1 1412	XS1 1512	XS1 1612	XS1 1812
55 7/8 [1419]	55 1/8 [1400]	47 7/16 [1205]	XS1 0814	XS1 0914	XS1 1014	XS1 1214	XS1 1414	XS1 1514		
59 13/16 [1519]	59 1/16 [1500]	51 3/8 [1305]	XS1 0815	XS1 0915	XS1 1015	XS1 1215	XS1 1415	XS1 1515		
63 3/4 [1619]	63 [1600]	55 5/16 [1405]	XS1 0816	XS1 0916	XS1 1016	XS1 1216				

Glass Size = Visible Glass + 15/16" [24 mm]

PRODUCT CODE



DOUBLE ACCESS WINDOW SIZES

Rough Opening		WIDTH									
		32 1/4 [819]	36 3/16 [919]	40 1/8 [1019]	48 [1219]	55 7/8 [1419]	59 13/16 [1519]	63 3/4 [1619]	71 5/8 [1819]	79 1/2 [2019]	
		Frame	31 1/2 [800]	35 7/16 [900]	39 3/8 [1000]	47 1/4 [1200]	55 1/8 [1400]	59 1/16 [1500]	63 [1600]	70 7/8 [1800]	78 3/4 [2000]
Visible Glass		24 [610]	27 15/16 [710]	31 7/8 [810]	39 3/4 [1010]	47 5/8 [1210]	51 9/16 [1310]	55 1/2 [1410]	63 3/8 [1610]	71 1/4 [1810]	
48 [1219]	47 1/4 [1200]	17 1/2 [445]	DX1 0812	DX1 0912	DX1 1012	DX1 1212	DX1 1412	DX1 1512	DX1 1612	DX1 1812	DX1 2012
55 7/8 [1419]	55 1/8 [1400]	21 7/16 [545]	DX1 0814	DX1 0914	DX1 1014	DX1 1214	DX1 1414	DX1 1514	DX1 1614	DX1 1814	DX1 2014
59 13/16 [1519]	59 1/16 [1500]	23 7/16 [595]	DX1 0815	DX1 0915	DX1 1015	DX1 1215	DX1 1415	DX1 1515	DX1 1615	DX1 1815	DX1 2015
63 3/4 [1619]	63 [1600]	23 3/8 [645]	DX1 0816	DX1 0916	DX1 1016	DX1 1216	DX1 1416	DX1 1516	DX1 1616	DX1 1816	DX1 2016
71 5/8 [1819]	70 7/8 [1800]	29 5/16 [745]	DX1 0818	DX1 0918	DX1 1018	DX1 1218	DX1 1418	DX1 1518	DX1 1618	DX1 1818	DX1 2018
83 7/16 [2119]	82 11/16 [2100]	35 1/4 [895]	DX1 0821	DX1 0921	DX1 1021	DX1 1221	DX1 1421	DX1 1521	DX1 1621	DX1 1821	DX1 2021
95 1/4 [2419]	94 1/2 [2400]	41 1/8 [1045]	DX1 0824	DX1 0924	DX1 1024	DX1 1224	DX1 1424	DX1 1524	DX1 1624	DX1 1824	DX1 2024
111 [2819]	110 1/4 [2800]	49 [1245]	DX1 0828	DX1 0928	DX1 1028	DX1 1228	DX1 1428	DX1 1528	DX1 1628		

Glass Size = Visible Glass + 15/16" [24 mm]

PRODUCT CODE

F4

F5

STANDARD SIZES SHOWN. ADDITIONAL SIZES MAY BE AVAILABLE. CUSTOM SIZES CAN BE ORDERED.

- Note:
- SDL/Grille patterns are dependent on SDL/Grille type and window size. Please verify SDL/Grille patterns before confirming your order.
 - For Masonry opening information see page A24-A29.
 - Sizes are shown as double glazing, not all sizes may be available in triple glazing.
 - Only available with Metal Cladding. Non-Clad not available.
 - Egress - Push Out only.



- ★ USA: 20" in width, 24" in height, with a total egress area of 5.7 sq ft
- ✪ CAN: 15" in width, 15" in height, with a total egress area of 3.8 sq ft
- Please check your local building codes for any variation in Egress Standards from those stated above. For egress information, contact your Authorized Loewen Dealer.

STANDARD SIZES SHOWN. ADDITIONAL SIZES MAY BE AVAILABLE. CUSTOM SIZES CAN BE ORDERED.

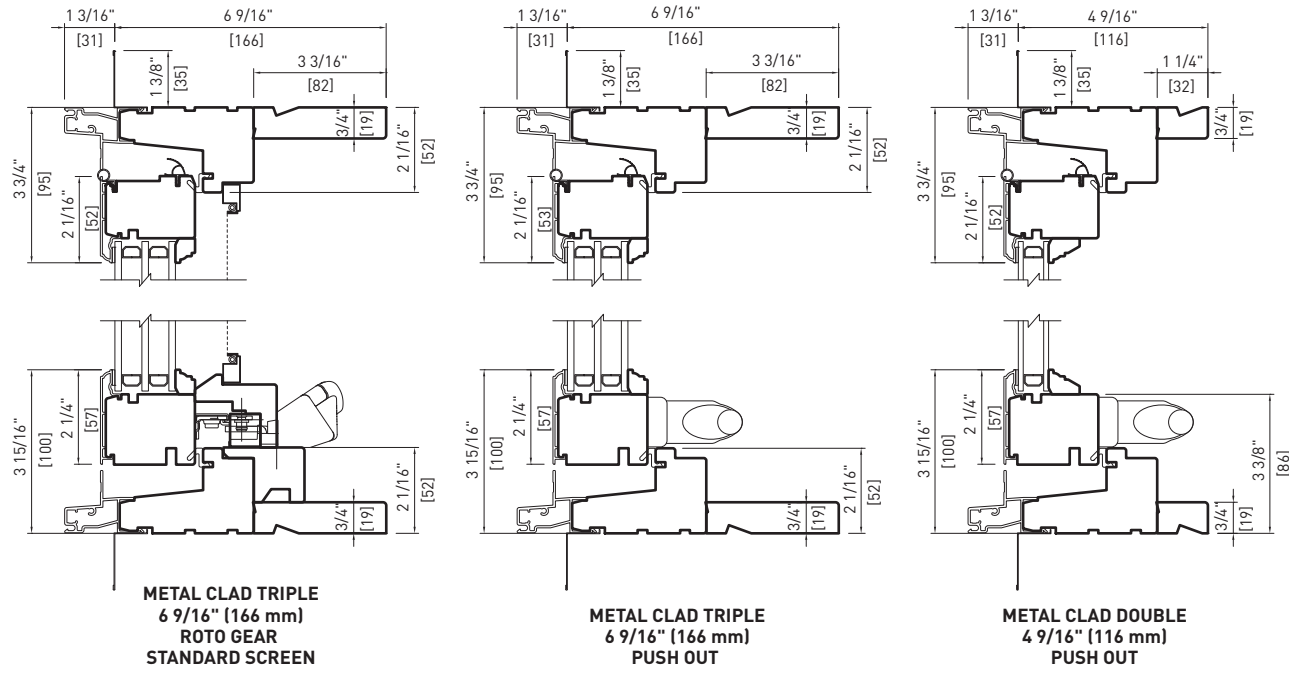
- Note:
- SDL/Grille patterns are dependent on SDL/Grille type and window size. Please verify SDL/Grille patterns before confirming your order.
 - For Masonry opening information see page A24-A29.
 - Sizes are shown as double glazing, not all sizes may be available in triple glazing.
 - Only available with Metal Cladding. Non-Clad not available.



- ★ USA: 20" in width, 24" in height, with a total egress area of 5.7 sq ft
- ✪ CAN: 15" in width, 15" in height, with a total egress area of 3.8 sq ft
- Please check your local building codes for any variation in Egress Standards from those stated above. For egress information, contact your Authorized Loewen Dealer.

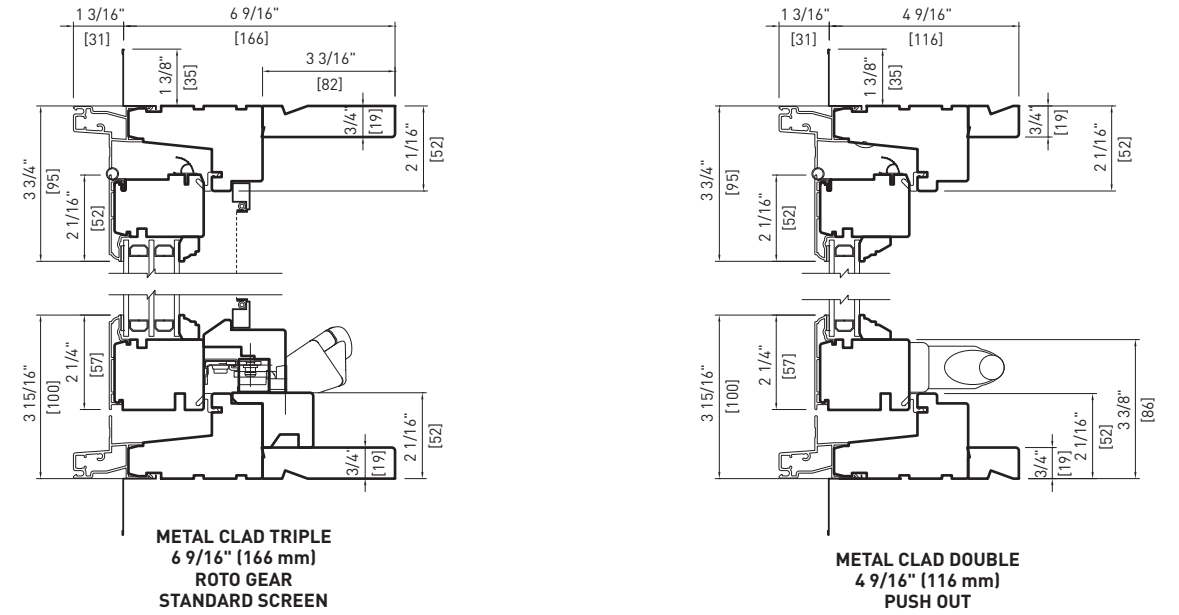
ACCESS WINDOW DETAIL

HEAD & SILL DETAIL



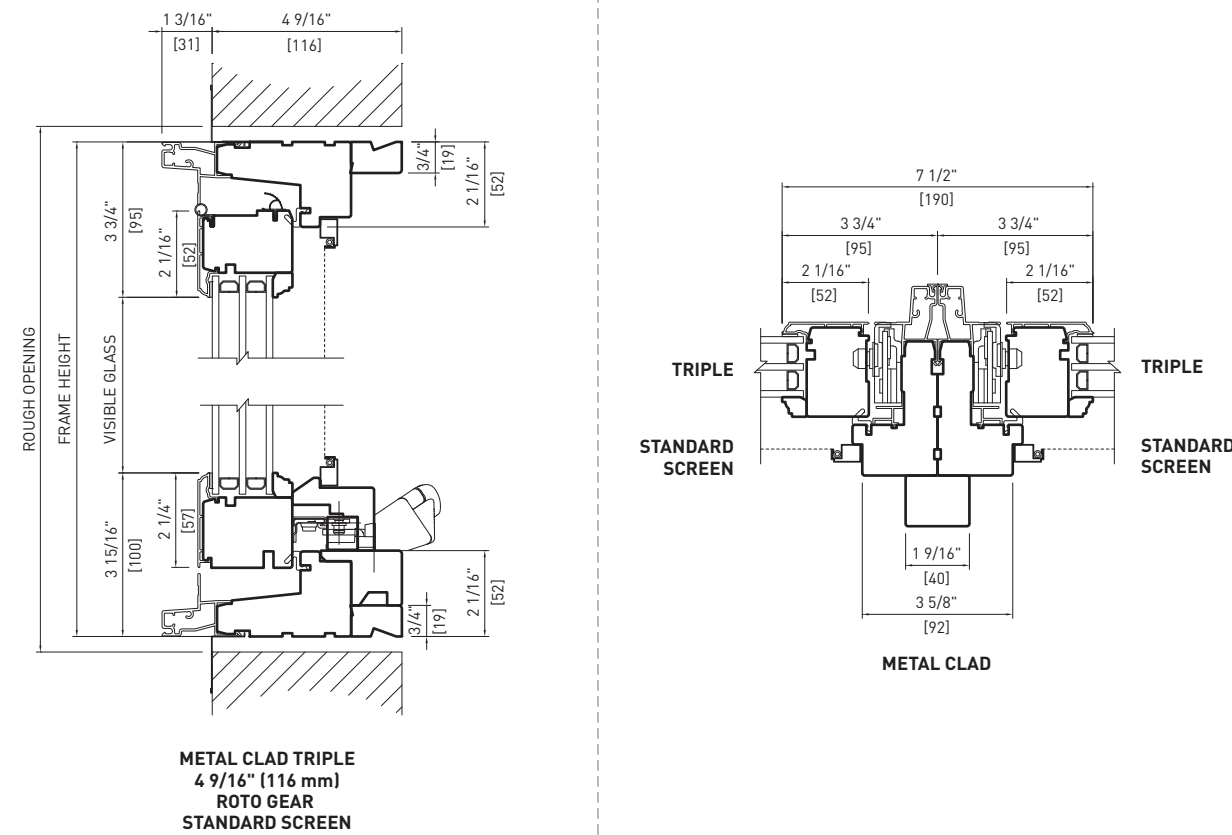
ACCESS WINDOW DETAIL

HEAD & SILL DETAIL



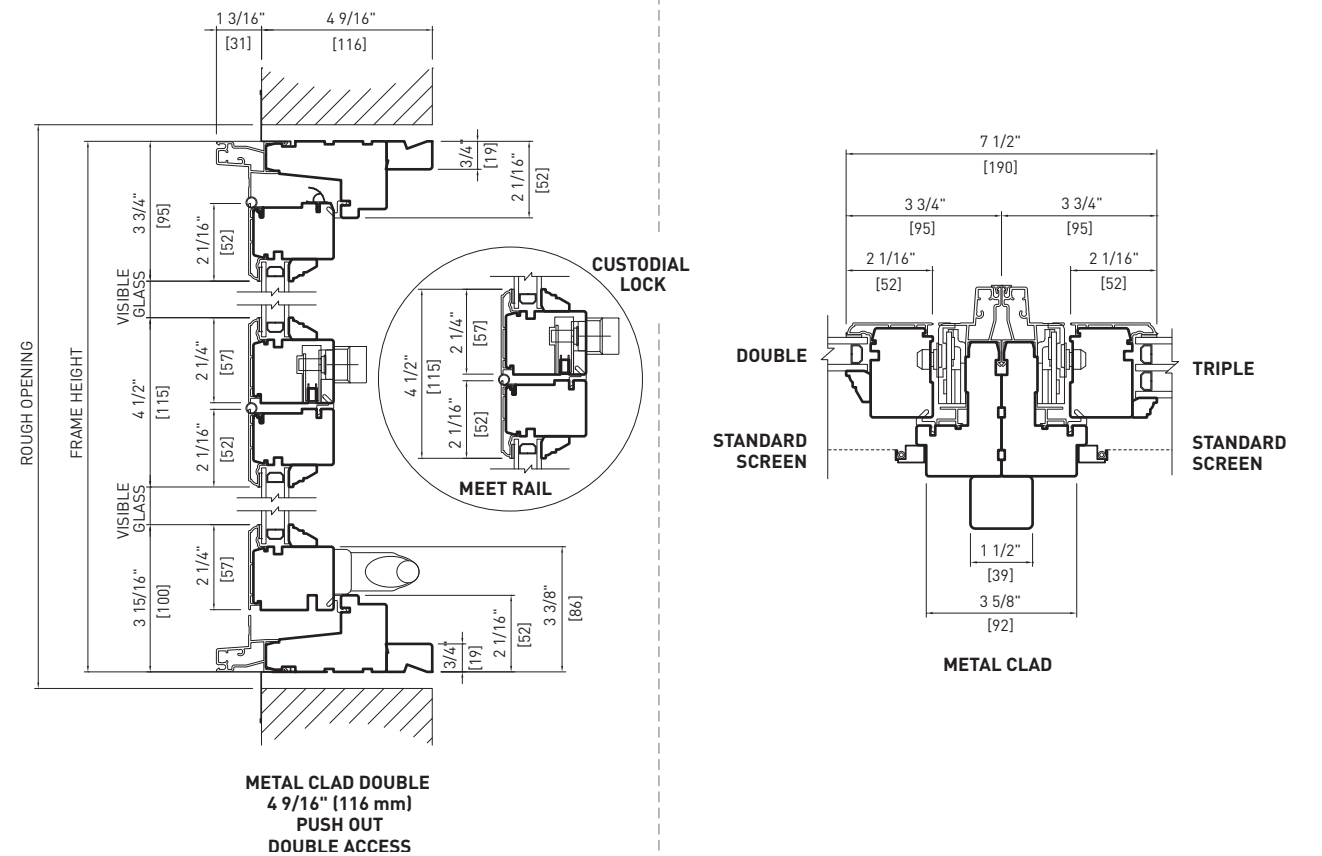
HEAD & SILL DETAIL

PLAN VIEW



HEAD & SILL DETAIL

PLAN VIEW



Note: • Other jamb widths available.
 • All dimensions to have +/- 1/16" [2 mm] tolerance.

Note: • Other jamb widths available.
 • All dimensions to have +/- 1/16" [2 mm] tolerance.

