



Sage Architects • SPA HOUSE

TECHNICAL GUIDE K  
SLIDING PATIO &  
FRENCH PATIO DOORS

*Loewen*

## PRODUCT FEATURES

### STYLES

Operating/Fixed (XO or OX), Operating/Fixed/Operating (XOX), Fixed/Operating/Operating/Fixed (OXXO), Sliding Patio and French Patio options. See your Authorized Loewen Dealer for the full range of configurations.

### STANDARD FEATURES

- Natural Douglas Fir interior (no visible finger joints)
- 4 9/16" (116 mm) and 6 9/16" (166 mm) jamb construction
- Low E insulated tempered glazing
- 2 1/4" (58 mm) thick sliding panels
- Interior/exterior signature handle in linen, bronze with thumb latch
- Extruded aluminum cladding in a variety of standard colors, primed wood or clear Fir exterior
- Extruded aluminum-frame insect screen with high transparency mesh option

### HARDWARE

Multiple hardware types and finish choices are available. See the Hardware in section A for more information.

### GLAZING

Heat-Smart® Double, Heat-Smart® Triple, Tranquility, StormForce™.

### SIMULATED DIVIDED LITES (SDL)

Ogee Profile — 3/4" (19 mm), 1 1/8" (30 mm), 2" (51 mm).

Putty Profile — 5/8" (16 mm), 7/8" (22 mm), 1 1/8" (30 mm), 2" (51 mm).

Square Profile (interior only) — 3/4" (19 mm), 7/8" (22 mm), 1 1/8" (30 mm), 2" (51 mm).

### CASING

WOOD: 2" (51 mm) Brickmould, 3 1/2" (89 mm) Flat, 5 1/2" (139 mm) Flat, Adams and Williamsburg.

METAL CLAD: 2" (51 mm) Brickmould, 3 1/2" (89 mm) Flat, Nose & Cove, Adams, Williamsburg and Contemporary.

### METAL CLAD COLOR SPECTRUM

Standard and Architectural Palette colors, including anodized finishes.



Patio



French Patio

LEGEND: ● Standard ○ Optional

	Patio	French Patio		Patio	French Patio
<b>HARDWARE STYLES</b>			<b>VARIABLES</b>		
Single point Handle	●	●	Function:		
Multi-point Handle	●	●	Use for Egress	●	●
Botticelli	●	●	Available with Screen	●	●
Fontana	●	●	Multi-point Hardware	●	●
Volo	●	●	Durability:		
Mercury	●	●	Low Maintenance Metal Clad Exterior <sup>1</sup>	●	●
			Clear Douglas Fir Exterior Finish	○	○
			Clear Mahogany Exterior Finish	○	○
			Primed Exterior Finish	○	○
			Performance:		
			Heat-Smart® Double	●	●
			Heat-Smart® Triple	○	○
			StormForce™	○	○
			Appearance:		
			SDL	○	○
			Vertical Grain Fir Panel	●	●

FINISH OPTIONS: REFER TO SECTION A.

- 1 - Various Standard and Architectural metal clad colors, including anodized finishes  
2 - Multi-point only

## SPECIFICATIONS

### STANDARDS

Most units have been tested by an independent laboratory for air and water infiltration, structural performance and thermal performance.

### PANEL & FRAME

Manufactured from Coastal Douglas Fir kiln-dried lumber with frame construction designed for 4 9/16" (116 mm) and 6 9/16" (166 mm) jamb. All wood exterior components are factory primed unless specified as clear exterior. Minor scratches or abrasions in the wood surface or primer are not considered defects.

### ALTERNATE SPECIES

The entire Loewen product line is also available in optional Mahogany or optional FSC® chain of custody certified Douglas Fir (SCS-COC-005141).

### PRESERVATIVE TREATED

All wood parts are dipped in approved preservative.

### DOOR PANELS

Opening panel is equipped with two sets of adjustable ball bearing tandem rollers. Sash is 2 1/4" (57 mm) thick for extra strength and durability.

### GLAZING

With countless glazing configurations and Low E coating options, we ensure that you can choose the perfect blend of protection and comfort.

### INSULATING GLASS

Double or triple insulating tempered glass configuration, with 1/2" (13 mm) airspace.

### HEAT-SMART® SYSTEMS

Heat-Smart® best describes the benefits of the product that incorporates Low E coating and argon gas. Heat-Smart® systems help reduce heating and cooling costs, providing superior energy efficiency.

### SIMULATED DIVIDED LITES (SDL)

Standard SDL complete with airspace grilles. Grille bars are permanently applied to the interior and exterior.

### SIDELITES

Sidelites consist of a patio door panel and frame to match patio door. Supplied as a single unit with brickmould or nailing flange, or can be attached to patio door.

### METAL CLADDING

Heavy duty exterior metal cladding comprised of extruded aluminum is available in a variety of Standard and Architectural Palette colors, including anodized finishes. Interior of door can be natural wood, unfinished or primed. Metal clad units are supplied ready-to-install complete with integral metal nailing flange.

### SILL TRACK

Extruded metal sill with stainless steel cap over operating track for ease of operation and long-lasting performance. A dual sill block system with double drainage holes keep water out of the interior trough.

### HARDWARE

Anti-lift security feature is standard. Security foot lock is optional. Single and multi-point locking hardware, complete with brass handle set and escutcheon is available. The locking hardware is also available in several optional finishes. Stainless steel rollers are optional.

### WEATHERSTRIP

The combination of multiple weatherstrips ensure maximum protection against air and water infiltration.

### SCREEN

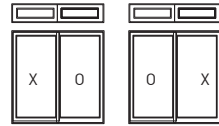
Wood extruded units are available with extruded aluminum screen frame in bronze or white, with anti-glare fiberglass screen cloth. Screen frame color is matched to exterior color on metal clad units. Screen is equipped with adjustable rollers on top and bottom to assure ease of operation and accurate fitting. Stainless steel components available.

Visit the [Loewen Photo Gallery](http://www.loewen.com) online at [www.loewen.com](http://www.loewen.com) for a large collection of Loewen product and elevation photography.

Numerous custom window configuration opportunities exist — please contact your Authorized Loewen Dealer.

Specifications and technical information are subject to change without notice. Imperial and metric measurements are converted accurately. However, in some cases, industry standards cause a 1 mm variance. [Example: 3/4" is shown as 19 mm for all glass measurements.]

CAD Download and Installation Instructions: [www.loewen.com](http://www.loewen.com)

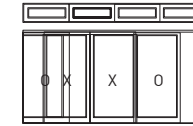


## PATIO DOOR AND TRANSOM 2 WIDE DOOR SIZES

			WIDTH		
Rough Opening			59 13/16 [1519]	71 5/8 [1819]	95 1/4 [2419]
Frame			59 1/16 [1500]	70 7/8 [1800]	94 1/2 [2400]
Visible Glass			24 1/8 [612]	30 [762]	41 13/16 [1062]
TRANSOM					
16 1/2 [419]	15 3/4 [400]	10 1/2 [266]	<b>WPT2*</b> <b>1504</b>	<b>WPT2*</b> <b>1804</b>	<b>WPT2*</b> <b>2404</b>
24 3/8 [619]	23 5/8 [600]	18 3/8 [466]	<b>WPT2*</b> <b>1506</b>	<b>WPT2*</b> <b>1806</b>	<b>WPT2*</b> <b>2406</b>
DOOR					
80 1/8 [2035]	79 1/2 [2020]	70 1/2 [1790]	<b>WP2</b> <b>1520</b>	<b>WP2</b> <b>1820</b>	<b>WP2</b> <b>2420</b>
81 7/8 [2080]	81 5/16 [2065]	72 1/4 [1835]	<b>WP2</b> <b>1568</b>	<b>WP2</b> <b>1868</b>	<b>WP2</b> <b>2468</b>
83 1/4 [2115]	82 11/16 [2100]	73 5/8 [1870]	<b>WP2</b> <b>1521</b>	<b>WP2</b> <b>1821</b>	<b>WP2</b> <b>2421</b>
86 9/16 [2199]	86 [2184]	76 15/16 [1954]	<b>WP2</b> <b>1570</b>	<b>WP2</b> <b>1870</b>	<b>WP2</b> <b>2470</b>
95 1/16 [2415]	94 1/2 [2400]	85 7/16 [2170]	<b>WP2</b> <b>1524</b>	<b>WP2</b> <b>1824</b>	<b>WP2</b> <b>2424</b>
98 [2489]	97 3/8 [2474]	88 3/8 [2244]	<b>WP2</b> <b>1580</b>	<b>WP2</b> <b>1880</b>	<b>WP2</b> <b>2480</b>

Glass Size = Visible Glass + 15/16" (24 mm)

PRODUCT CODE



## PATIO DOOR AND TRANSOM 4 WIDE DOOR SIZES

			WIDTH		
Rough Opening			117 5/8 [2987]	141 1/4 [3587]	188 7/16 [4787]
Frame			116 7/8 [2968]	140 1/2 [3568]	187 11/16 [4768]
Visible Glass			24 1/8 [612]	30 [762]	41 13/16 [1062]
TRANSOM					
16 1/2 [419]	15 3/4 [400]	10 1/2 [266]	<b>WPT4*</b> <b>3004</b>	<b>WPT4*</b> <b>3604</b>	<b>WPT4*</b> <b>4804</b>
24 3/8 [619]	23 5/8 [600]	18 3/8 [466]	<b>WPT4*</b> <b>3006</b>	<b>WPT4*</b> <b>3606</b>	<b>WPT4*</b> <b>4806</b>
DOOR					
80 1/8 [2035]	79 1/2 [2020]	70 1/2 [1790]	<b>WP4</b> <b>3020</b>	<b>WP4</b> <b>3620</b>	<b>WP4</b> <b>4820</b>
81 7/8 [2080]	81 5/16 [2065]	72 1/4 [1835]	<b>WP4</b> <b>3068</b>	<b>WP4</b> <b>3668</b>	<b>WP4</b> <b>4868</b>
83 1/4 [2115]	82 11/16 [2100]	73 5/8 [1870]	<b>WP4</b> <b>3021</b>	<b>WP4</b> <b>3621</b>	<b>WP4</b> <b>4821</b>
86 9/16 [2199]	86 [2184]	76 15/16 [1954]	<b>WP4</b> <b>3070</b>	<b>WP4</b> <b>3670</b>	<b>WP4</b> <b>4870</b>
95 1/16 [2415]	94 1/2 [2400]	85 7/16 [2170]	<b>WP4</b> <b>3024</b>	<b>WP4</b> <b>3624</b>	<b>WP4</b> <b>4824</b>
98 [2489]	97 3/8 [2474]	88 3/8 [2244]	<b>WP4</b> <b>3080</b>	<b>WP4</b> <b>3680</b>	<b>WP4</b> <b>4880</b>

Glass Size = Visible Glass + 15/16" (24 mm)

PRODUCT CODE

STANDARD SIZES SHOWN. ADDITIONAL SIZES MAY BE AVAILABLE. CUSTOM SIZES CAN BE ORDERED.

Note: • SDL/Grille patterns are dependent on SDL/Grille type and window size. Please verify SDL/Grille patterns before confirming your order.

• O = Fixed, X = Operating

\* Transom units.

Information is subject to change without notice. | CAD Download and Installation Instructions: [www.loewen.com](http://www.loewen.com)

STANDARD SIZES SHOWN. ADDITIONAL SIZES MAY BE AVAILABLE. CUSTOM SIZES CAN BE ORDERED.

Note: • SDL/Grille patterns are dependent on SDL/Grille type and window size. Please verify SDL/Grille patterns before confirming your order.

• O = Fixed, X = Operating

\* Transom units.

Information is subject to change without notice. | CAD Download and Installation Instructions: [www.loewen.com](http://www.loewen.com)



## PATIO DOOR AND TRANSOM FIXED SIDELITE DOOR SIZES

			WIDTH		
Rough Opening			32 1/4 [819]	38 1/8 [969]	49 15/16 [1269]
Frame			31 1/2 [800]	37 3/8 [950]	49 3/16 [1250]
Visible Glass			24 1/8 [612]	30 [762]	41 13/16 [1062]
TRANSOM					
16 1/2 [419]	15 3/4 [400]	10 1/2 [266]	<b>WPT1*</b> <b>7504</b>	<b>WPT1*</b> <b>0904</b>	<b>WPT1*</b> <b>1204</b>
24 3/8 [619]	23 5/8 [600]	18 3/8 [466]	<b>WPT1*</b> <b>7506</b>	<b>WPT1*</b> <b>0906</b>	<b>WPT1*</b> <b>1206</b>
DOOR					
80 1/8 [2035]	79 1/2 [2020]	70 1/2 [1790]	<b>WP1</b> <b>7520</b>	<b>WP1</b> <b>0920</b>	<b>WP1</b> <b>1220</b>
81 7/8 [2080]	81 5/16 [2065]	72 1/4 [1835]	<b>WP1</b> <b>7568</b>	<b>WP1</b> <b>0968</b>	<b>WP1</b> <b>1268</b>
83 1/4 [2115]	82 11/16 [2100]	73 5/8 [1870]	<b>WP1</b> <b>7521</b>	<b>WP1</b> <b>0921</b>	<b>WP1</b> <b>1221</b>
86 9/16 [2199]	86 [2184]	76 15/16 [1954]	<b>WP1</b> <b>7570</b>	<b>WP1</b> <b>0970</b>	<b>WP1</b> <b>1270</b>
95 1/16 [2415]	94 1/2 [2400]	85 7/16 [2170]	<b>WP1</b> <b>7524</b>	<b>WP1</b> <b>0924</b>	<b>WP1</b> <b>1224</b>
98 [2489]	97 3/8 [2474]	88 3/8 [2244]	<b>WP1</b> <b>7580</b>	<b>WP1</b> <b>0980</b>	<b>WP1</b> <b>1280</b>

Glass Size = Visible Glass + 15/16" (24 mm)

PRODUCT CODE



## PATIO DOOR AND TRANSOM 3 WIDE DOOR SIZES

			WIDTH			
Rough Opening			117 5/8 [2987]	141 1/4 [3587]	160 13/16 [4085]	172 11/16 [4386]
Frame			116 7/8 [2968]	140 1/2 [3568]	160 1/16 [4066]	171 15/16 [4367]
Visible Glass			24 1/8 - 54 3/16 - 24 1/8 [612 - 1376 - 612]	30 - 66 - 30 [762 - 1676 - 762]	41 13/16 - 61 15/16 - 41 13/16 [1062 - 1574 - 1062]	41 13/16 - 73 13/16 - 41 13/16 [1062 - 1875 - 1062]
TRANSOM						
16 1/2 [419]	15 3/4 [400]	10 1/2 [266]	<b>WPT3*</b> <b>3004</b>	<b>WPT3*</b> <b>3604</b>	<b>WPT3*</b> <b>4104</b>	<b>WPT3*</b> <b>4404</b>
24 3/8 [619]	23 5/8 [600]	18 3/8 [466]	<b>WPT3*</b> <b>3006</b>	<b>WPT3*</b> <b>3606</b>	<b>WPT3*</b> <b>4106</b>	<b>WPT3*</b> <b>4406</b>
DOOR						
80 1/8 [2035]	79 1/2 [2020]	70 1/2 [1790]	<b>WP3</b> <b>3020</b>	<b>WP3</b> <b>3620</b>	<b>WP3</b> <b>4120</b>	<b>WP3</b> <b>4420</b>
81 7/8 [2080]	81 5/16 [2065]	72 1/4 [1835]	<b>WP3</b> <b>3068</b>	<b>WP3</b> <b>3668</b>	<b>WP3</b> <b>4168</b>	<b>WP3</b> <b>4468</b>
83 1/4 [2115]	82 11/16 [2100]	73 5/8 [1870]	<b>WP3</b> <b>3021</b>	<b>WP3</b> <b>3621</b>	<b>WP3</b> <b>4121</b>	<b>WP3</b> <b>4421</b>
86 9/16 [2199]	86 [2184]	76 15/16 [1954]	<b>WP3</b> <b>3070</b>	<b>WP3</b> <b>3670</b>	<b>WP3</b> <b>4170</b>	<b>WP3</b> <b>4470</b>
95 1/16 [2415]	94 1/2 [2400]	85 7/16 [2170]	<b>WP3</b> <b>3024</b>	<b>WP3</b> <b>3624</b>	<b>WP3</b> <b>4124</b>	<b>WP3</b> <b>4424</b>
98 [2489]	97 3/8 [2474]	88 3/8" 2244	<b>WP3</b> <b>3080</b>	<b>WP3</b> <b>3680</b>	<b>WP3</b> <b>4180</b>	<b>WP3</b> <b>4480</b>

Glass Size = Visible Glass + 15/16" (24 mm)

PRODUCT CODE

STANDARD SIZES SHOWN. ADDITIONAL SIZES MAY BE AVAILABLE. CUSTOM SIZES CAN BE ORDERED.

Note: • SDL/Grille patterns are dependent on SDL/Grille type and window size. Please verify SDL/Grille patterns before confirming your order.

\* Transom units.

Information is subject to change without notice. | CAD Download and Installation Instructions: [www.loewen.com](http://www.loewen.com)

STANDARD SIZES SHOWN. ADDITIONAL SIZES MAY BE AVAILABLE. CUSTOM SIZES CAN BE ORDERED.

Note: • SDL/Grille patterns are dependent on SDL/Grille type and window size. Please verify SDL/Grille patterns before confirming your order.

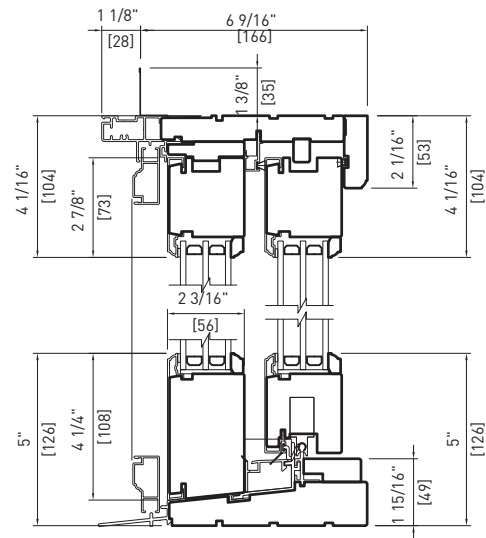
• O = Fixed, X = Operating

\* Transom units.

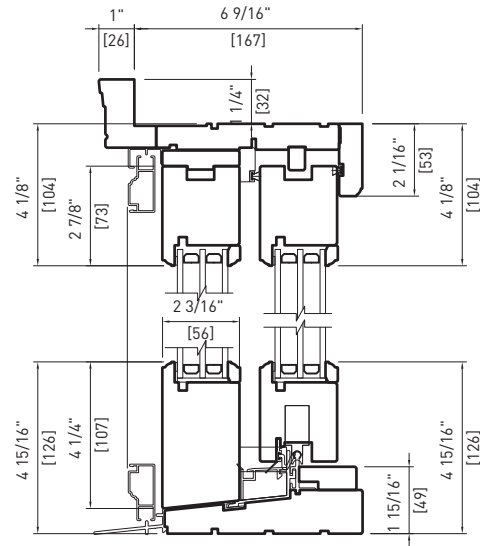
Information is subject to change without notice. | CAD Download and Installation Instructions: [www.loewen.com](http://www.loewen.com)

# PATIO DOOR DETAIL

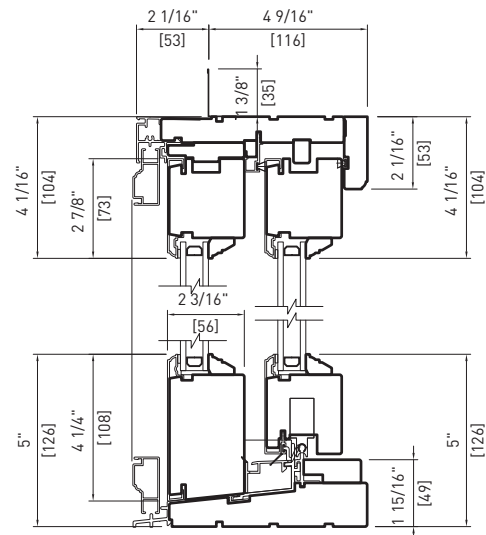
## HEAD & SILL DETAIL



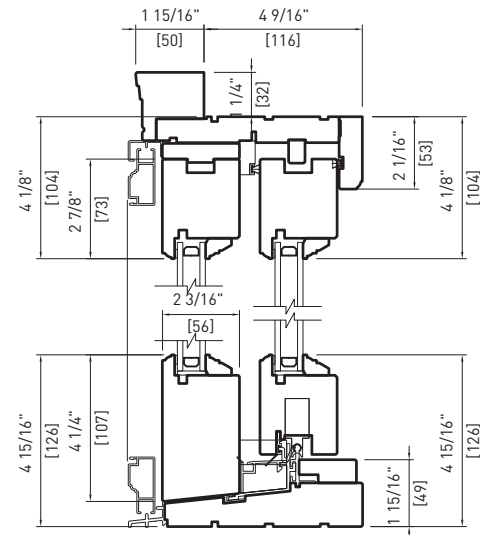
**METAL CLAD TRIPLE**  
6 9/16" (166 mm)



**WOOD EXTERIOR TRIPLE**  
6 9/16" (166 mm)  
2" BRICKMOULD



**METAL CLAD DOUBLE**  
4 9/16" (116 mm)

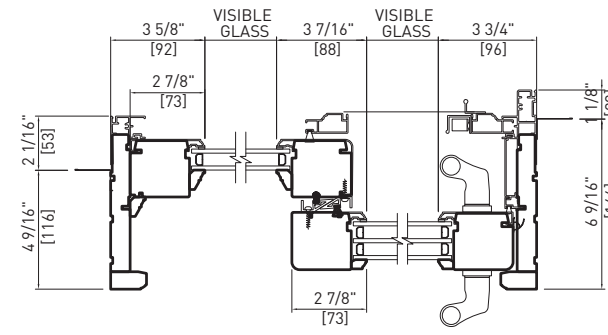


**WOOD EXTERIOR DOUBLE**  
4 9/16" (116 mm)  
2" BRICKMOULD

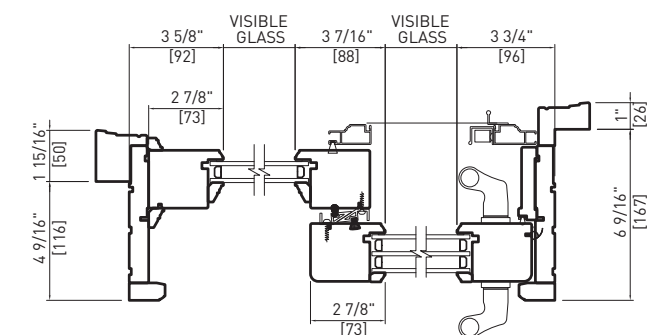
Note: • Other jamb widths available.  
• All dimensions to have +/- 1/16" [2 mm] tolerance.

# PATIO DOOR DETAIL

## PLAN VIEW

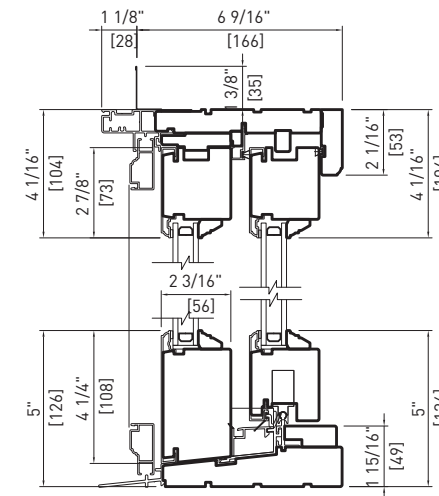


**METAL CLAD DOUBLE/TRIPLE**  
4 9/16" (116 mm)/6 9/16" (166mm)

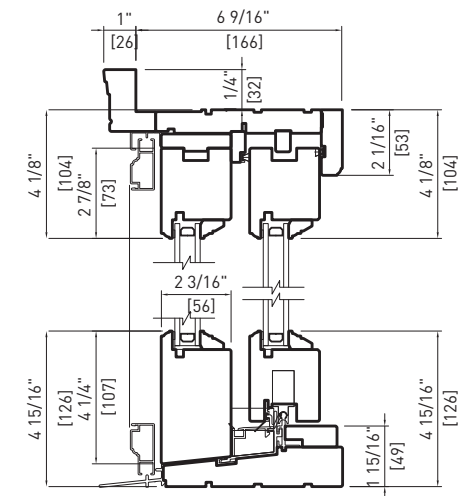


**WOOD EXTERIOR DOUBLE/TRIPLE**  
4 9/16" (116 mm)/6 9/16" (166mm)  
2" BRICKMOULD

## HEAD & SILL DETAIL



**METAL CLAD DOUBLE**  
6 9/16" (166 mm)

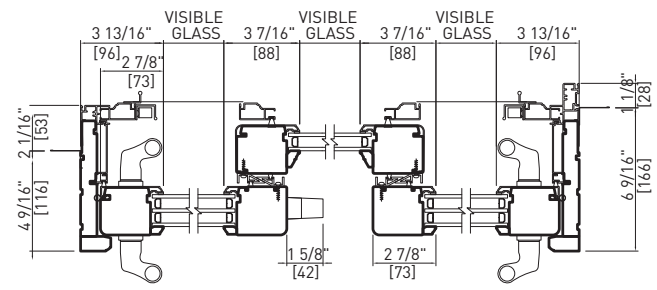


**WOOD EXTERIOR DOUBLE**  
6 9/16" (166 mm)  
2" BRICKMOULD

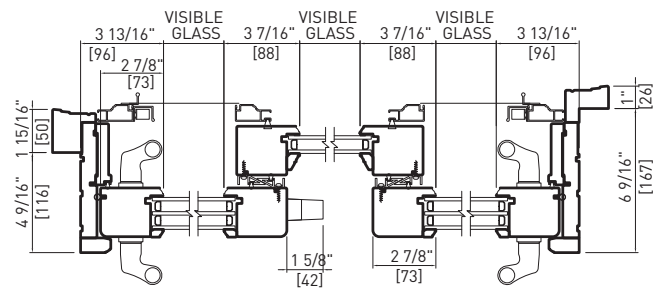
Note: • Other jamb widths available.  
• All dimensions to have +/- 1/16" [2 mm] tolerance.

# PATIO DOOR DETAIL

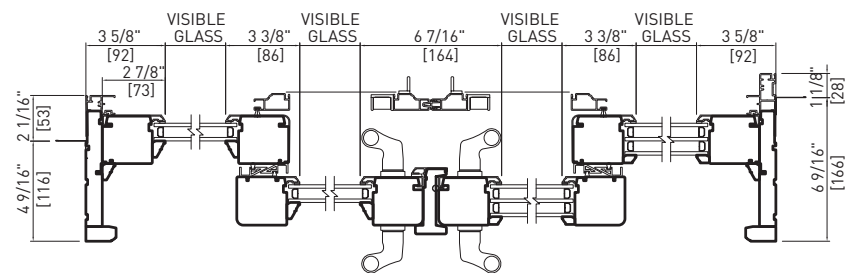
## PLAN VIEW



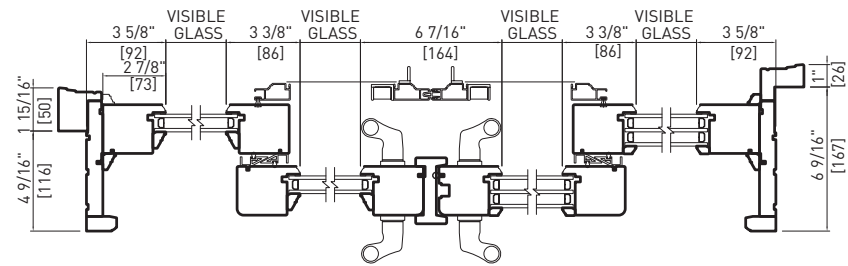
**METAL CLAD TRIPLE/DOUBLE/TRIPLE  
THREE PANEL**  
4 9/16" (116 mm)/6 9/16" (166 mm)



**WOOD EXTERIOR TRIPLE/DOUBLE/TRIPLE  
THREE PANEL**  
4 9/16" (116 mm)/6 9/16" (166 mm)  
2" BRICKMOULD



**METAL CLAD DOUBLE/DOUBLE/TRIPLE/TRIPLE  
FOUR PANEL**  
4 9/16" (116 mm)/6 9/16" (166 mm)

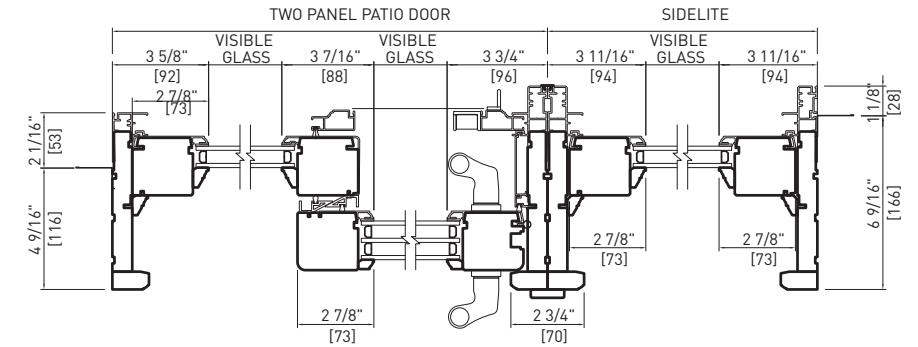


**WOOD EXTERIOR DOUBLE/DOUBLE/TRIPLE/TRIPLE  
FOUR PANEL**  
4 9/16" (116 mm)/6 9/16" (166 mm)  
2" BRICKMOULD

Note: • Other jamb widths available.  
• All dimensions to have +/- 1/16" [2 mm] tolerance.

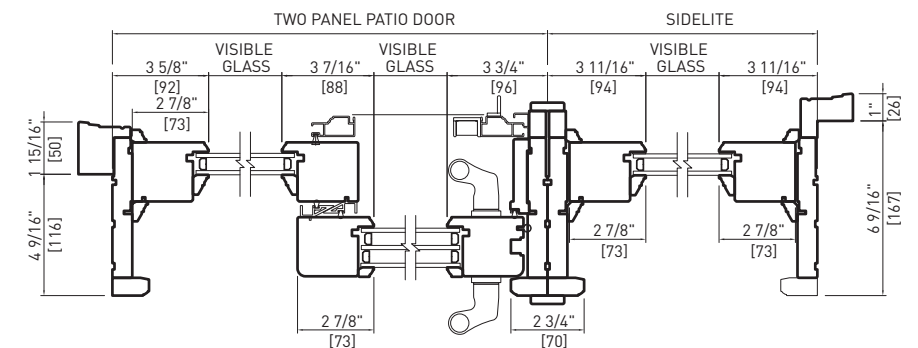
# PATIO DOOR SIDELITE DETAIL

## PLAN VIEW



**METAL CLAD WP2 DOUBLE/TRIPLE**  
4 9/16" (116 mm)

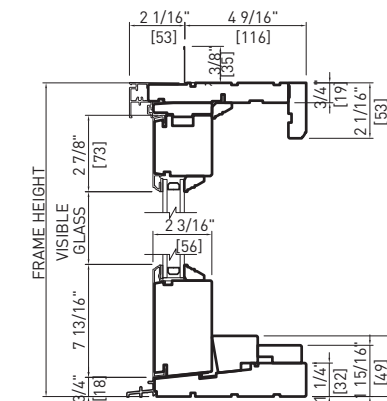
**METAL CLAD WP1 (SIDELITE) DOUBLE**  
6 9/16" (166 mm)



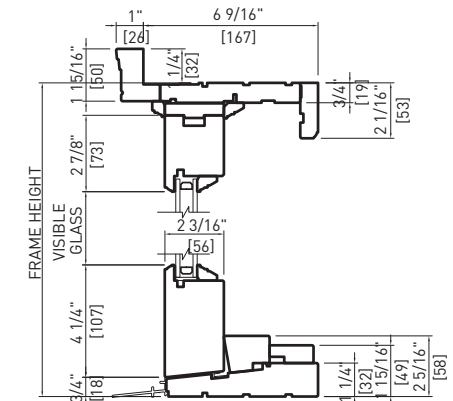
**WOOD EXTERIOR WP2 DOUBLE/TRIPLE**  
4 9/16" (116 mm)

**WOOD EXTERIOR WP1 (SIDELITE) DOUBLE**  
6 9/16" (166 mm)

## HEAD & SILL DETAIL



**METAL CLAD DOUBLE**  
4 9/16" (116 mm)

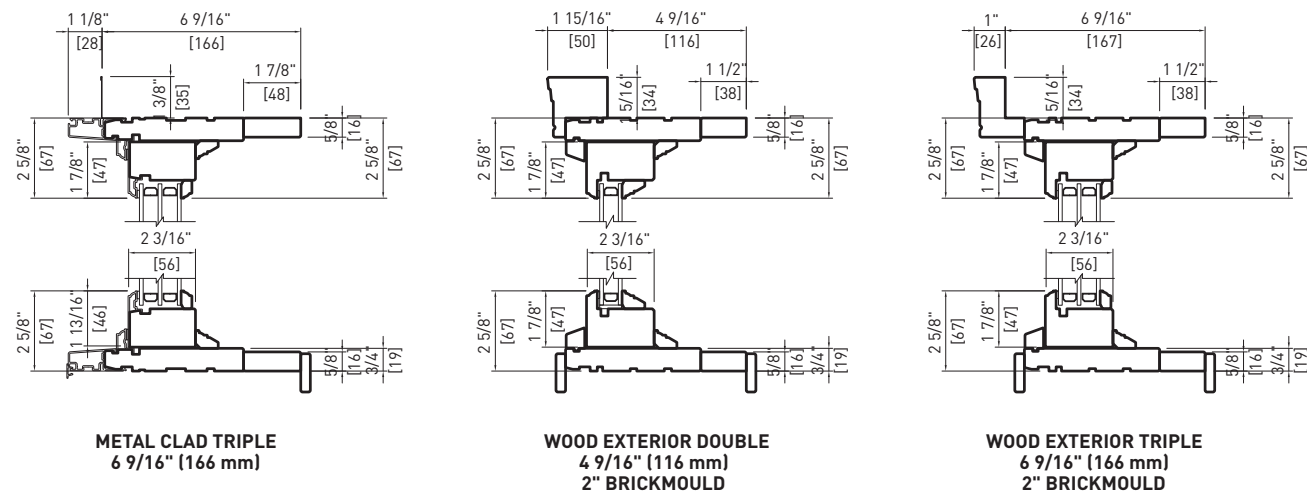


**WOOD EXTERIOR DOUBLE**  
6 9/16" (166 mm)  
2" BRICKMOULD

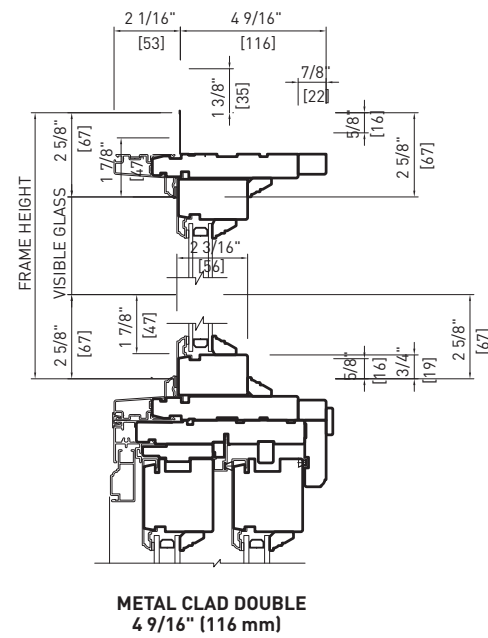
Note: • Other jamb widths available.  
• All dimensions to have +/- 1/16" [2 mm] tolerance.

# PATIO DOOR TRANSOM DETAIL

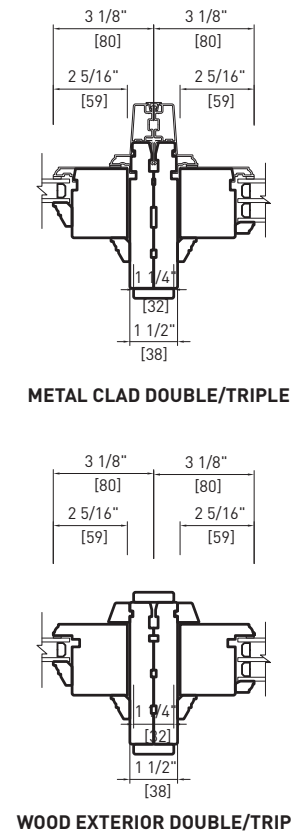
## HEAD & SILL DETAIL



## HEAD & SILL DETAIL



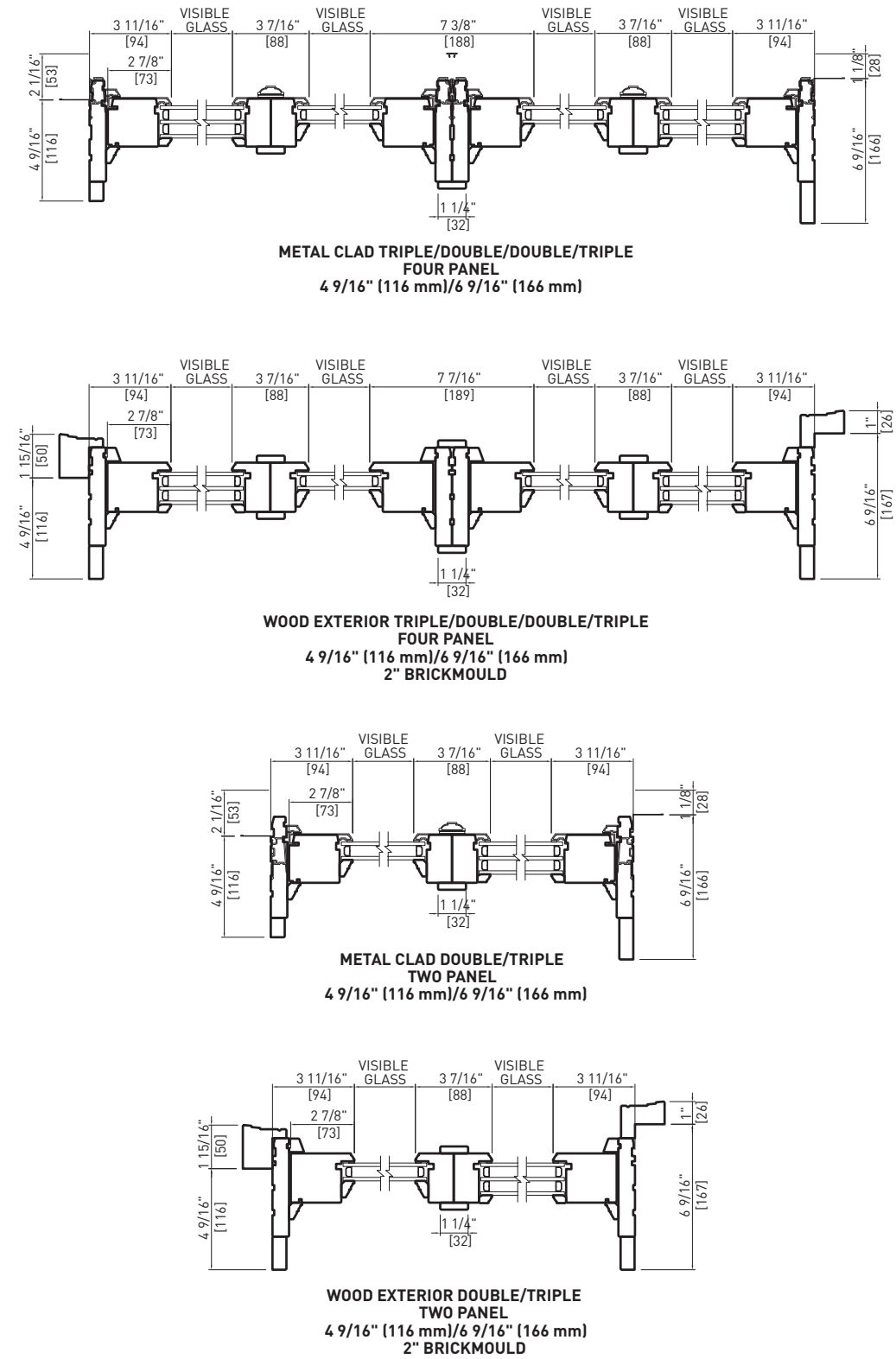
## PLAN VIEW



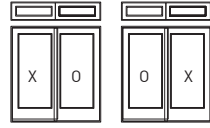
Note: • Other jamb widths available.  
• All dimensions to have +/- 1/16" [2 mm] tolerance.

# PATIO DOOR TRANSOM DETAIL

## PLAN VIEW



Note: • Other jamb widths available.  
• All dimensions to have +/- 1/16" [2 mm] tolerance.

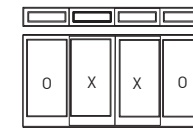


## FRENCH PATIO DOOR AND TRANSOM 2 WIDE DOOR SIZES

			WIDTH		
Rough Opening			59 13/16 [1519]	71 5/8 [1819]	95 1/4 [2419]
Frame			59 1/16 [1500]	70 7/8 [1800]	94 1/2 [2400]
Visible Glass			21 13/16 [538]	27 1/16 [688]	38 7/8 [988]
TRANSOM					
16 1/2 [419]	15 3/4 [400]	10 1/2 [266]	<b>FPT2' 1504</b>	<b>FPT2' 1804</b>	<b>FPT2' 2404</b>
24 3/8 [619]	23 5/8 [600]	18 3/8 [466]	<b>FPT2' 1506</b>	<b>FPT2' 1806</b>	<b>FPT2' 2406</b>
DOOR					
80 1/8 [2035]	79 1/2 [2020]	64 [1626]	<b>FP2 1520</b>	<b>FP2 1820</b>	<b>FP2 2420</b>
81 7/8 [2080]	81 5/16 [2065]	65 13/16 [1671]	<b>FP2 1568</b>	<b>FP2 1868</b>	<b>FP2 2468</b>
83 1/4 [2115]	82 11/16 [2100]	67 3/16 [1706]	<b>FP2 1521</b>	<b>FP2 1821</b>	<b>FP2 2421</b>
86 9/16 [2199]	86 [2184]	70 1/2 [1790]	<b>FP2 1570</b>	<b>FP2 1870</b>	<b>FP2 2470</b>
95 1/16 [2415]	94 1/2 [2400]	79 [2006]	<b>FP2 1524</b>	<b>FP2 1824</b>	<b>FP2 2424</b>
98 [2489]	97 3/8 [2474]	81 7/8 [2080]	<b>FP2 1580</b>	<b>FP2 1880</b>	<b>FP2 2480</b>
106 7/8 [2715]	106 5/16 [2700]	90 13/16 [2306]	<b>FP2 1527</b>	<b>FP2 1827</b>	<b>FP2 2427</b>

Glass Size = Visible Glass + 15/16" [24 mm]

PRODUCT CODE



## FRENCH PATIO DOOR AND TRANSOM 4 WIDE DOOR SIZES

			WIDTH		
Rough Opening			117 5/8 [2987]	141 1/4 [3587]	188 7/16 [4787]
Frame			116 7/8 [2968]	140 1/2 [3568]	187 11/16 [4768]
Visible Glass			21 13/16 [538]	27 1/16 [688]	38 7/8 [988]
TRANSOM					
16 1/2 [419]	15 3/4 [400]	10 1/2 [266]	<b>FPT4' 3004</b>	<b>FPT4' 3604</b>	<b>FPT4' 4804</b>
24 3/8 [619]	23 5/8 [600]	18 3/8 [466]	<b>FPT4' 3006</b>	<b>FPT4' 3606</b>	<b>FPT4' 4806</b>
DOOR					
80 1/8 [2035]	79 1/2 [2020]	64 [1626]	<b>FP4 3020</b>	<b>FP4 3620</b>	<b>FP4 4820</b>
81 7/8 [2080]	81 5/16 [2065]	65 13/16 [1671]	<b>FP4 3068</b>	<b>FP4 3668</b>	<b>FP4 4868</b>
83 1/4 [2115]	82 11/16 [2100]	67 3/16 [1706]	<b>FP4 3021</b>	<b>FP4 3621</b>	<b>FP4 4821</b>
86 9/16 [2199]	86 [2184]	70 1/2 [1790]	<b>FP4 3070</b>	<b>FP4 3670</b>	<b>FP4 4870</b>
95 1/16 [2415]	94 1/2 [2400]	79 [2006]	<b>FP4 3024</b>	<b>FP4 3624</b>	<b>FP4 4824</b>
98 [2489]	97 3/8 [2474]	81 7/8 [2080]	<b>FP4 3080</b>	<b>FP4 3680</b>	<b>FP4 4880</b>
106 7/8 [2715]	106 5/16 [2700]	90 13/16 [2306]	<b>FP4 3027</b>	<b>FP4 3627</b>	<b>FP4 4827</b>

Glass Size = Visible Glass + 15/16" [24 mm]

PRODUCT CODE

STANDARD SIZES SHOWN. ADDITIONAL SIZES MAY BE AVAILABLE. CUSTOM SIZES CAN BE ORDERED.

Note: • SDL/Grille patterns are dependent on SDL/Grille type and window size. Please verify SDL/Grille patterns before confirming your order.

• O = Fixed, X = Operating

\* Transom units.

Information is subject to change without notice. | CAD Download and Installation Instructions: [www.loewen.com](http://www.loewen.com)

STANDARD SIZES SHOWN. ADDITIONAL SIZES MAY BE AVAILABLE. CUSTOM SIZES CAN BE ORDERED.

Note: • SDL/Grille patterns are dependent on SDL/Grille type and window size. Please verify SDL/Grille patterns before confirming your order.

• O = Fixed, X = Operating

\* Transom units.

Information is subject to change without notice. | CAD Download and Installation Instructions: [www.loewen.com](http://www.loewen.com)



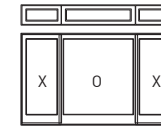


## FRENCH PATIO DOOR AND TRANSOM FIXED SIDELITE DOOR SIZES

			WIDTH		
Rough Opening			32 1/4 [819]	38 1/8 [969]	49 15/16 [1269]
Frame			31 1/2 [800]	37 3/8 [950]	49 3/16 [1250]
Visible Glass			21 13/16 [538]	27 1/16 [688]	38 7/8 [988]
TRANSOM					
16 1/2 [419]	15 3/4 [400]	10 1/2 [266]	<b>FPT1*</b> <b>7504</b>	<b>FPT1*</b> <b>0904</b>	<b>FPT1*</b> <b>1204</b>
24 3/8 [619]	23 5/8 [600]	18 3/8 [466]	<b>FPT1*</b> <b>7506</b>	<b>*FPT1*</b> <b>0906</b>	<b>FPT1*</b> <b>1206</b>
DOOR					
80 1/8 [2035]	79 1/2 [2020]	64 [1626]	<b>FP1</b> <b>7520</b>	<b>FP1</b> <b>0920</b>	<b>FP1</b> <b>1220</b>
81 7/8 [2080]	81 5/16 [2065]	65 13/16 [1671]	<b>FP1</b> <b>7568</b>	<b>FP1</b> <b>0968</b>	<b>FP1</b> <b>1268</b>
83 1/4 [2115]	82 11/16 [2100]	67 3/16 [1706]	<b>FP1</b> <b>7521</b>	<b>FP1</b> <b>0921</b>	<b>FP1</b> <b>1221</b>
86 9/16 [2199]	86 [2184]	70 1/2 [1790]	<b>FP1</b> <b>7570</b>	<b>FP1</b> <b>0970</b>	<b>FP1</b> <b>1270</b>
95 1/16 [2415]	94 1/2 [2400]	79 [2006]	<b>FP1</b> <b>7524</b>	<b>FP1</b> <b>0924</b>	<b>FP1</b> <b>1224</b>
98 [2489]	97 3/8 [2474]	81 7/8 [2080]	<b>FP1</b> <b>7580</b>	<b>FP1</b> <b>0980</b>	<b>FP1</b> <b>1280</b>
106 7/8 [2715]	106 5/16 [2700]	90 13/16 [2306]	<b>FP1</b> <b>7527</b>	<b>FP1</b> <b>0927</b>	<b>FP1</b> <b>1227</b>

Glass Size = Visible Glass + 15/16" [24 mm]

PRODUCT CODE



## FRENCH PATIO DOOR AND TRANSOM 3 WIDE DOOR SIZES

			WIDTH			
Rough Opening			117 5/8 [2987]	141 1/4 [3587]	160 13/16 [4085]	172 11/16 [4386]
Frame			116 7/8 [2968]	140 1/2 [3568]	160 1/16 [4066]	171 15/16 [4367]
Visible Glass			21 3/16 - 51 1/4 - 21 3/16 [538 - 1302 - 538]	27 1/16 - 63 1/16 - 27 1/16 [688 - 1602 - 688]	38 7/8 - 59 1/16 - 38 7/8 [988 - 1500 - 988]	38 7/8 - 70 7/8 - 38 7/8 [988 - 1801 - 988]
TRANSOM						
16 1/2 [419]	15 3/4 [400]	10 1/2 [266]	<b>FPT3*</b> <b>3004</b>	<b>FPT3*</b> <b>3604</b>	<b>FPT3*</b> <b>4104</b>	<b>FPT3*</b> <b>4404</b>
24 3/8 [619]	23 5/8 [600]	18 3/8 [466]	<b>FPT3*</b> <b>3006</b>	<b>FPT3*</b> <b>3606</b>	<b>FPT3*</b> <b>4106</b>	<b>FPT3*</b> <b>4406</b>
DOOR						
80 1/8 [2035]	79 1/2 [2020]	64 [1626]	<b>FP3</b> <b>3020</b>	<b>FP3</b> <b>3620</b>	<b>FP3</b> <b>4120</b>	<b>FP3</b> <b>4420</b>
81 7/8 [2080]	81 5/16 [2065]	65 13/16 [1671]	<b>FP3</b> <b>3068</b>	<b>FP3</b> <b>3668</b>	<b>FP3</b> <b>4168</b>	<b>FP3</b> <b>4468</b>
83 1/4 [2115]	82 11/16 [2100]	67 3/16 [1706]	<b>FP3</b> <b>3021</b>	<b>FP3</b> <b>3621</b>	<b>FP3</b> <b>4121</b>	<b>FP3</b> <b>4421</b>
86 9/16 [2199]	86 [2184]	70 1/2 [1790]	<b>FP3</b> <b>3070</b>	<b>FP3</b> <b>3670</b>	<b>FP3</b> <b>4170</b>	<b>FP3</b> <b>4470</b>
95 1/16 [2415]	94 1/2 [2400]	79 [2006]	<b>FP3</b> <b>3024</b>	<b>FP3</b> <b>3624</b>	<b>FP3</b> <b>4124</b>	<b>FP3</b> <b>4424</b>
98 [2489]	97 3/8 [2474]	81 7/8 [2080]	<b>FP3</b> <b>3080</b>	<b>FP3</b> <b>3680</b>	<b>FP3</b> <b>4180</b>	<b>FP3</b> <b>4480</b>

Glass Size = Visible Glass + 15/16" [24 mm]

PRODUCT CODE

STANDARD SIZES SHOWN. ADDITIONAL SIZES MAY BE AVAILABLE. CUSTOM SIZES CAN BE ORDERED.

Note: • SDL/Grille patterns are dependent on SDL/Grille type and window size. Please verify SDL/Grille patterns before confirming your order.

\* Transom units.

Information is subject to change without notice. | CAD Download and Installation Instructions: [www.loewen.com](http://www.loewen.com)

STANDARD SIZES SHOWN. ADDITIONAL SIZES MAY BE AVAILABLE. CUSTOM SIZES CAN BE ORDERED.

Note: • SDL/Grille patterns are dependent on SDL/Grille type and window size. Please verify SDL/Grille patterns before confirming your order.

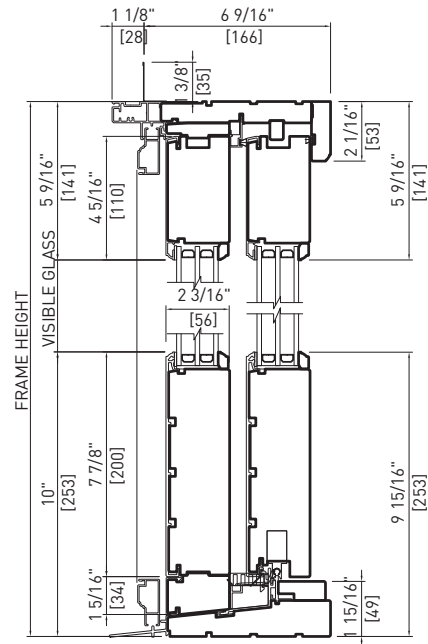
• O = Fixed, X = Operating

\* Transom units.

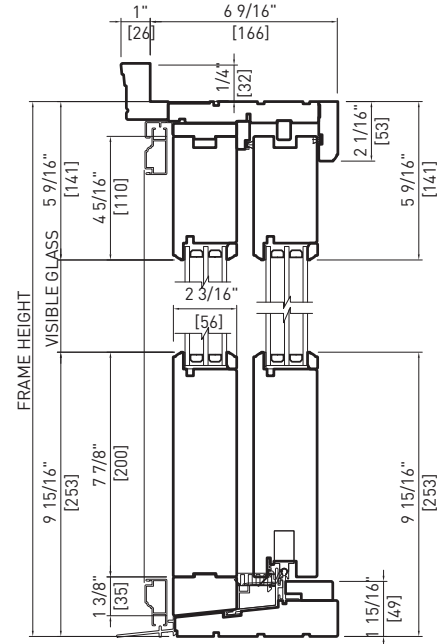
Information is subject to change without notice. | CAD Download and Installation Instructions: [www.loewen.com](http://www.loewen.com)

# FRENCH PATIO DOOR DETAIL

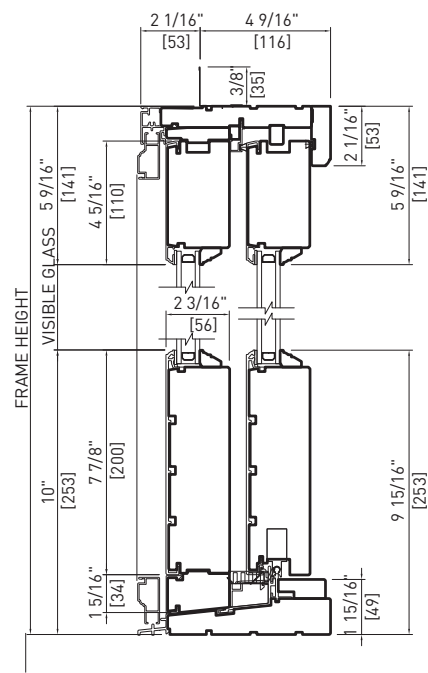
## HEAD & SILL DETAIL



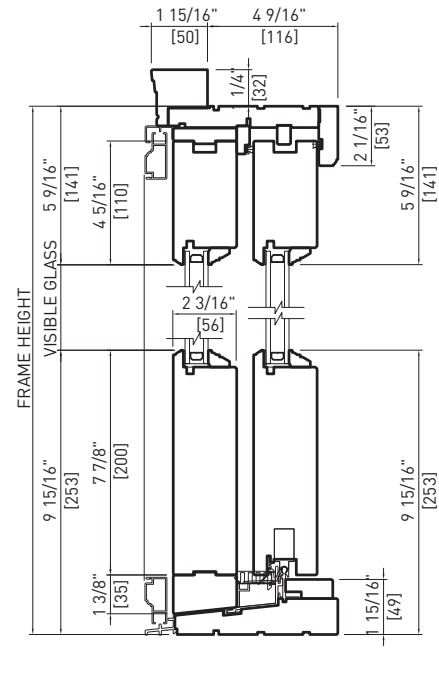
**METAL CLAD TRIPLE**  
6 9/16" (166 mm)



**WOOD EXTERIOR TRIPLE**  
6 9/16" (166 mm)  
2" BRICKMOULD



**METAL CLAD TRIPLE**  
4 9/16" (116 mm)

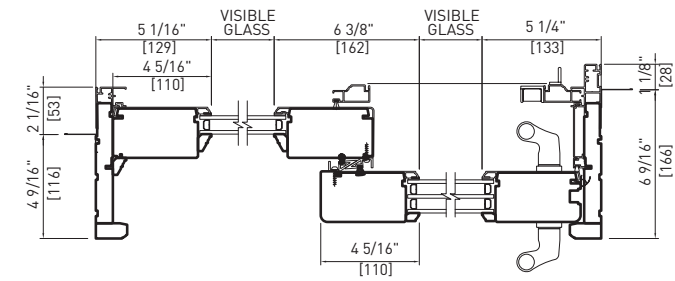


**WOOD EXTERIOR TRIPLE**  
4 9/16" (116 mm)  
2" BRICKMOULD

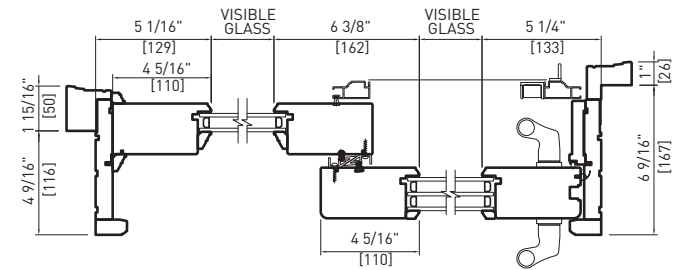
Note: • Other jamb widths available.  
• All dimensions to have +/- 1/16" [2 mm] tolerance.

# FRENCH PATIO DOOR DETAIL

## PLAN VIEW

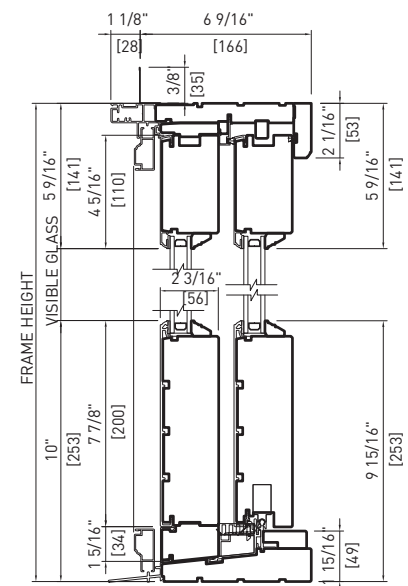


**METAL CLAD DOUBLE/TRIPLE**  
4 9/16" (116 mm)/6 9/16" (166 mm)

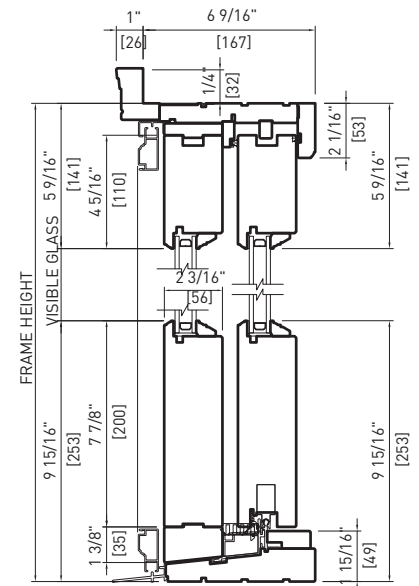


**WOOD EXTERIOR DOUBLE/TRIPLE**  
4 9/16" (116 mm)/6 9/16" (166 mm)  
2" BRICKMOULD

## HEAD & SILL DETAIL



**METAL CLAD DOUBLE**  
6 9/16" (166 mm)

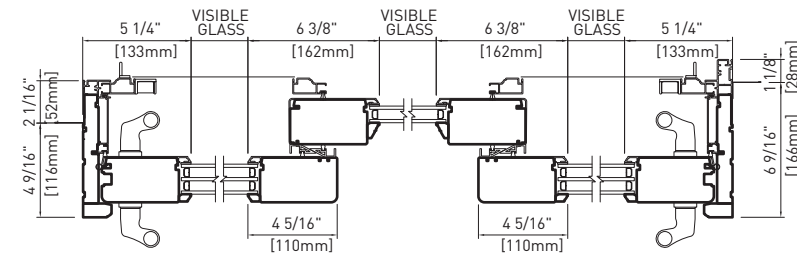


**WOOD EXTERIOR DOUBLE**  
6 9/16" (166 mm)  
2" BRICKMOULD

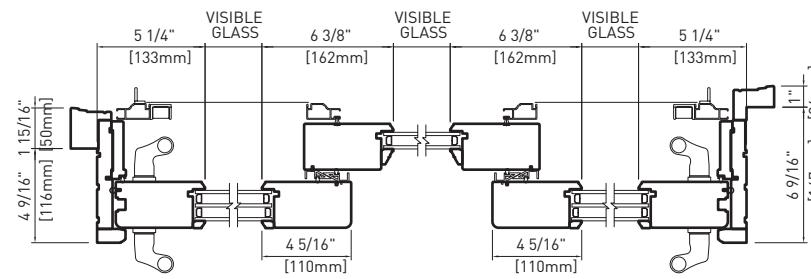
Note: • Other jamb widths available.  
• All dimensions to have +/- 1/16" [2 mm] tolerance.

# FRENCH PATIO DOOR DETAIL

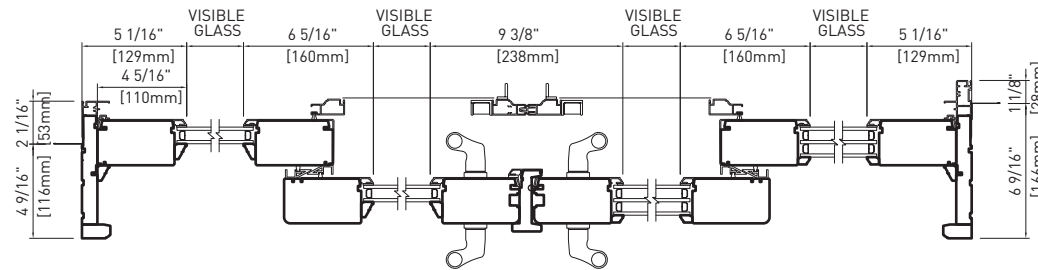
## PLAN VIEW



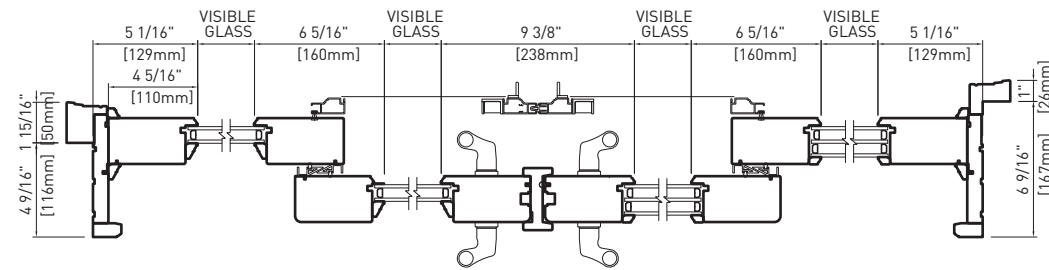
**METAL CLAD TRIPLE/DOUBLE/TRIPLE  
THREE PANEL**  
4 9/16" (116 mm)/6 9/16" (166 mm)



**WOOD EXTERIOR TRIPLE/DOUBLE/TRIPLE  
THREE PANEL**  
4 9/16" (116 mm)/6 9/16" (166 mm)  
2" BRICKMOULD



**METAL CLAD DOUBLE/DOUBLE/TRIPLE/TRIPLE  
FOUR PANEL**  
4 9/16" (116 mm)/6 9/16" (166 mm)

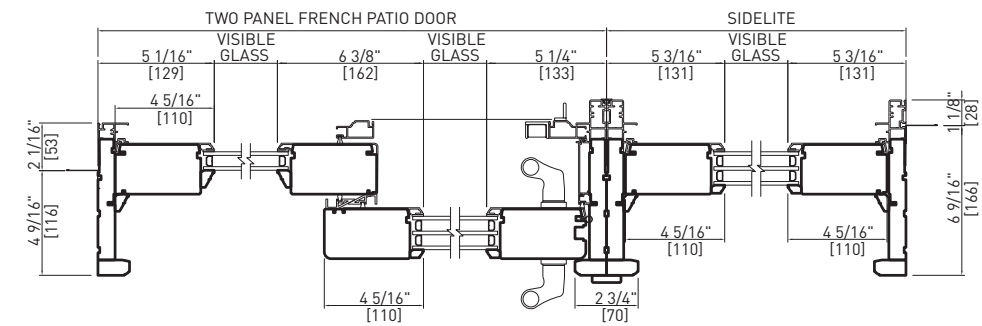


**WOOD EXTERIOR DOUBLE/DOUBLE/TRIPLE/TRIPLE  
FOUR PANEL**  
4 9/16" (116 mm)/6 9/16" (166 mm)  
2" BRICKMOULD

Note: • Other jamb widths available.  
• All dimensions to have +/- 1/16" (2 mm) tolerance.

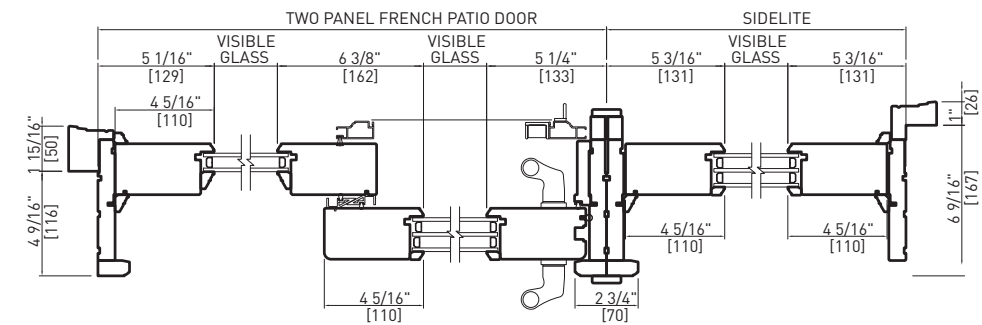
# FRENCH PATIO DOOR SIDELITE DETAIL

## PLAN VIEW



**METAL CLAD FP2 DOUBLE/TRIPLE**  
4 9/16" (116 mm)

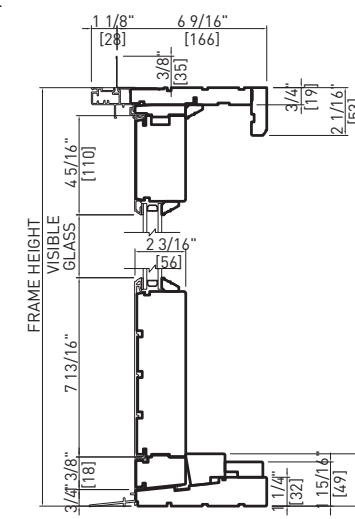
**METAL CLAD FP1 (SIDELITE) TRIPLE**  
6 9/16" (166 mm)



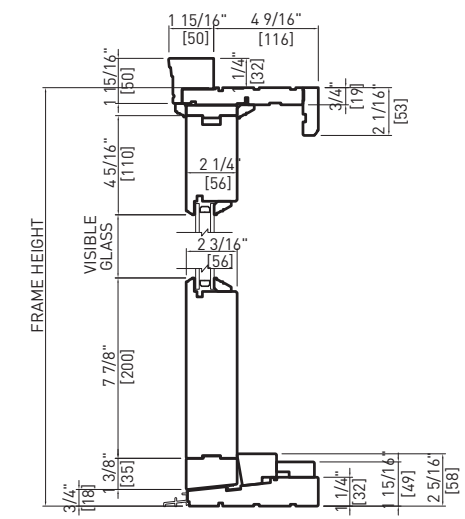
**WOOD EXTERIOR FP2 DOUBLE/TRIPLE**  
4 9/16" (116 mm)

**WOOD EXTERIOR FP1 (SIDELITE) TRIPLE**  
6 9/16" (166 mm)

## HEAD & SILL DETAIL



**METAL CLAD DOUBLE**  
6 9/16" (166 mm)

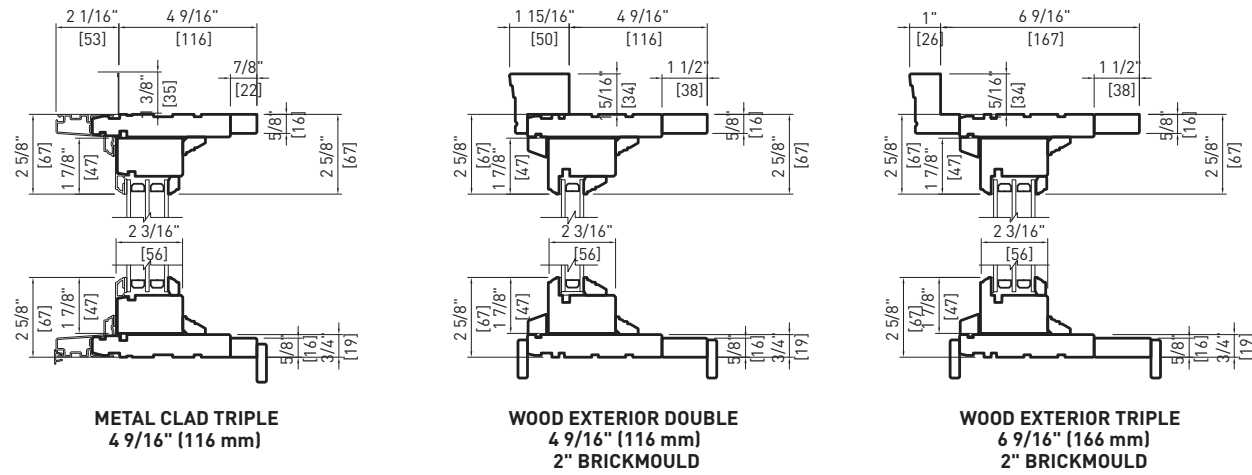


**WOOD EXTERIOR DOUBLE**  
6 9/16" (166 mm)  
2" BRICKMOULD

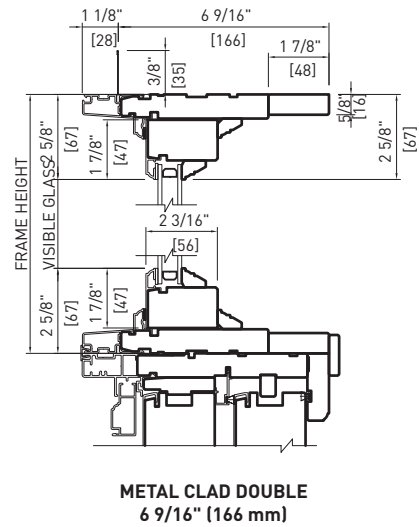
Note: • Other jamb widths available.  
• All dimensions to have +/- 1/16" (2 mm) tolerance.

# FRENCH PATIO DOOR TRANSOM DETAIL

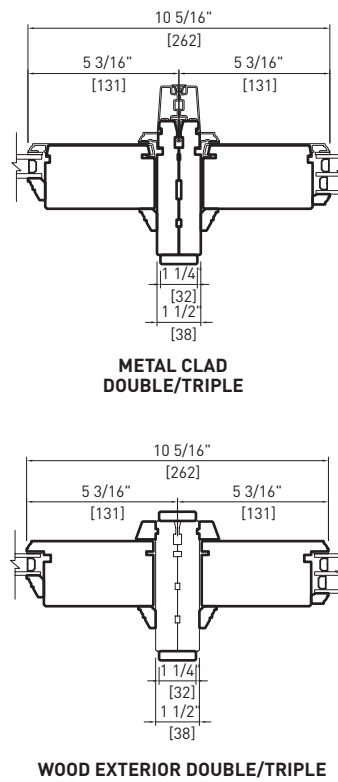
## HEAD & SILL DETAIL



## HEAD & SILL DETAIL



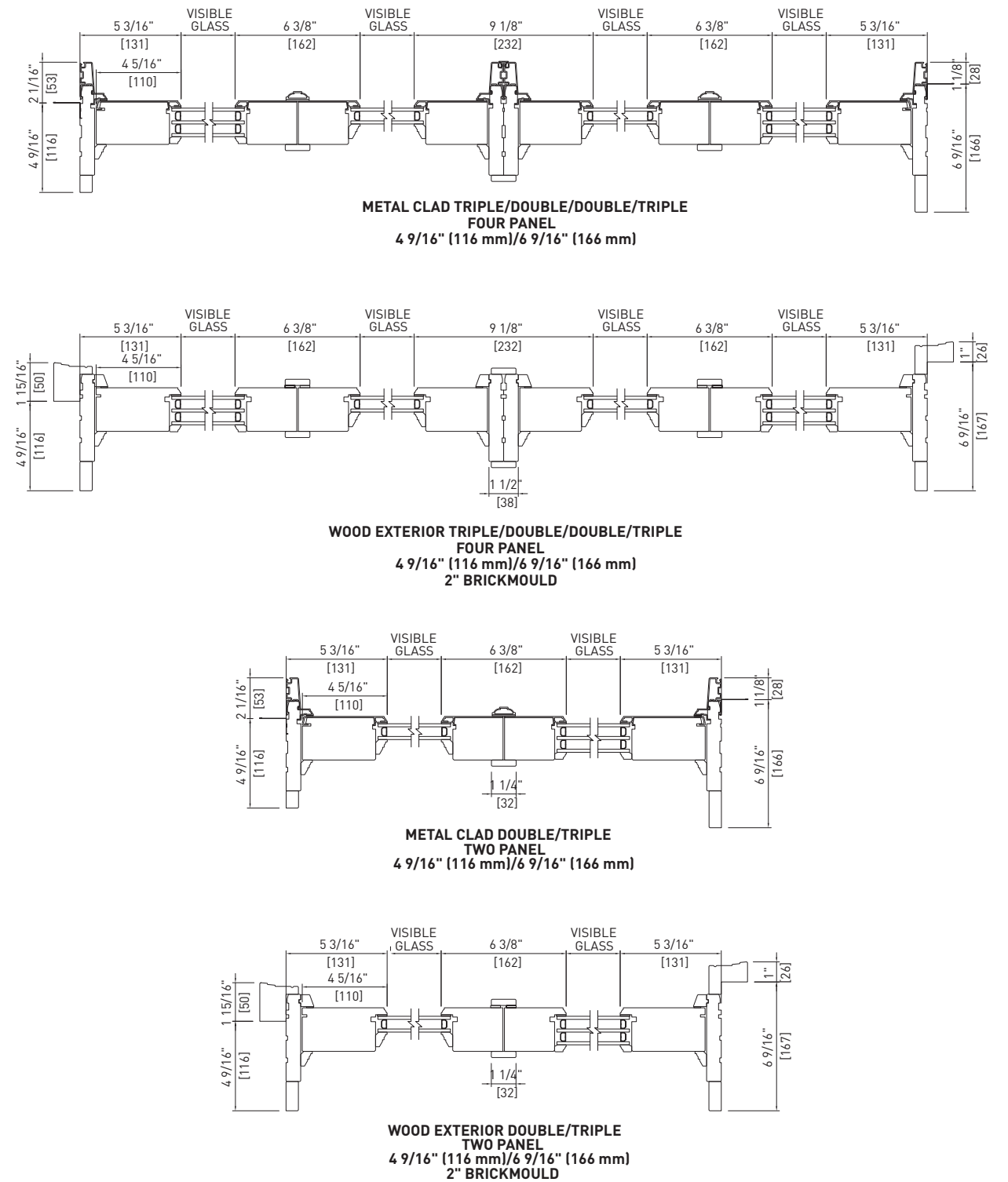
## PLAN VIEW



Note: • Other jamb widths available.  
 • All dimensions to have +/- 1/16" [2 mm] tolerance.

# FRENCH PATIO DOOR TRANSOM DETAIL

## PLAN VIEW



Note: • Other jamb widths available.  
 • All dimensions to have +/- 1/16" [2 mm] tolerance.

