



TECHNICAL GUIDE N
LOEWEN MULTISLIDE

Loewen

LOEWEN MULTISLIDE



N2

MULTISLIDE doors provide large dramatic openings for the transition from indoor and outdoor living spaces. With an easy, smooth and quiet operation, using stainless steel tracks, MultiSlide interlocking sliding panels provides secure and weatherproof options in large openings. A large selection of custom configurations and design options are available, including bi-parting and hidden pocketing.

Loewen narrow stile and rail panels provide a contemporary look with a narrow stile 2 7/8" face width. This width is narrower than many sliding door programs while still incorporating an available flush handle and multipoint locking mechanism. Also available in the wide 4 5/16" stile. The panel construction, using authentic Loewen door components, results in a cohesive aesthetic with other Loewen product lines.



Our unique 2 1/4" thick panel adds superior thermal performance, as well as strength and durability. The high structural integrity and raised threshold options allow MultiSlide doors to be located in areas of moderate to high exposure where homeowners want a broad view with no visual interference — mountain, hillside or lake-front vistas. Multi track thermally broken frame and sill is available in raised sill with no riser, 1 1/8" riser and 1 1/2" riser for best performance.

Doors can be clad in a variety of colors from the extensive Loewen palette, and are available in Douglas Fir or in Mahogany interiors.

LOEWEN MULTISLIDE

STANDARD FEATURES

- Standard panel heights up to 10 feet.
- Standard panel widths up to 5 feet; custom sizes available
- Natural Douglas Fir interior (no visible finger joints)
- Low E insulated tempered glazing
- 2 1/4" (58 mm) thick sliding panels
- Extruded aluminum cladding in 15 standard colors
- Standard bronze anodized sill with built in drainage system
- Metal clad jamb fillers and frame cladding match clad door panels

GLASS & GLAZING

- A wide variety of glazing options available including triple glazed
- Heat-Smart® Double, Heat-Smart® Triple, and Tranquility.
- Exterior Simulated Divided Lites options available in Putty, Ogee and Square.
- Interior SDL and stops options include Ogee, Square and Putty

HARDWARE

- Multipoint locking door handles are available in a variety of styles and finishes.



Exterior pull (Silver Metallic finish)



Multi-point flush handle (Silver Metallic finish)



Multi-point handle system

N3

SAMPLE CONFIGURATIONS

STACKING	POCKETED
0XX	PXX
0XXX	PXXX
0XXXX	PXXXX
0XXXXXX	PXXXXXX
0X - X0	PXX - XXP
0XX - XX0	PXXX - XXXP
0XXX - XXX0	PXXXX - XXXXP

X = Operating 0=Fixed P=Pocket

STANDARD FEATURES

- Stacking: 8 panels max (left or right in a single direction)
- Bi-Parting: 4 panels left, 4 panels right (8 in total)
- Pocket: max 8 panels stacking or bi-parting

HARDWARE

Multiple hardware type and finish choices are available. See loewen.com.

SIMULATED DIVIDED LITES (SDL)

- Ogee Profile.
- Putty Profile.
- Square Profile (interior only)

TRACK ASSEMBLY

Available in bronze anodized finish only. Multi track thermally broken frame and sill is available in raised sill with no riser, 1 1/8" riser and 1 1/2" riser.

METAL CLAD COLOR SPECTRUM

Standard and Architectural Palette colors.



Multi-slide raised sill track



Easy glide low resistant movement



SPECIFICATIONS

STANDARDS

Most units have been tested by an independent laboratory for air and water infiltration, structural performance and thermal performance.

PANEL

Manufactured from Coastal Douglas Fir kiln-dried lumber. The entire Loewen product line is also available in optional Mahogany or optional FSC® chain of custody certified Douglas Fir [SCS-COC-005141].

PRESERVATIVE TREATED

Manufactured from Coastal Douglas Fir kiln-dried lumber.

DOOR PANELS

Opening panel is equipped with two sets of adjustable ball bearing tandem rollers. Sash is 2 1/4" [57 mm] thick for extra strength and durability.

GLAZING

With countless glazing configurations and Low E coating options, we ensure that you can choose the perfect blend of protection and comfort.

INSULATING GLASS

Double or triple insulating tempered glass configuration, with 1/2" [13 mm] airspace.

HEAT-SMART® SYSTEMS

Heat-Smart® best describes the benefits of the product that incorporates Low E coating and argon gas. Heat-Smart® systems help reduce heating and cooling costs, providing superior energy efficiency.

SIMULATED DIVIDED LITES (SDL)

Standard SDL complete with airspace grilles. Grille bars are permanently applied to the interior and exterior.

METAL CLADDING

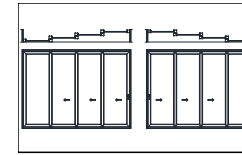
Heavy duty exterior metal cladding comprised of extruded aluminum is available in a variety of Standard and Architectural Palette colors. Interior of door can be natural wood, unfinished or primed. Metal clad units are supplied ready-to-install complete with optional metal nailing flange.

SILL TRACK

Extruded metal sill with stainless steel cap over operating track for ease of operation and long-lasting performance. An internal weep system with drainage holes keeps water out of the interior trough.

HARDWARE

Multi-point locking hardware, in patio and flush handle styles. The locking hardware is also available in several optional finishes. Stainless steel roller assemblies are optional.



NARROW STILE

LOEWEN MULTISLIDE: SIZING CHARTS FOR STACKING

		WIDTH								
		48 3/16" 1224	69 3/8" 1762	72 1/8" 1859	105 1/4" 2674	138 7/16" 3517	171 9/16" 4358	204 3/4" 5201		
R.O.	System	47 3/16" 1199	68 3/8" 1737	71 1/8" 1807	104 1/4" 2649	137 7/16" 3492	170 9/16" 4333	203 3/4" 5176		
	Panel	24" 610	24" 610	36" 914	36" 914	36" 914	36" 914	36" 914		
		Jamb	7 3/8" 188	10 3/8" 264	7 3/8" 188	10 3/8" 264	13 3/8" 340	16 3/8" 416	19 3/8" 492	
HEIGHT	39 1/8" 994	38 5/8" 981	36" 914	OX XO	OXX XXO	OX XO	OXX XXO	OXXX XXXO	OXXXX XXXXO	OXXXXX XXXXXO
	63 1/8" 1604	62 5/8" 1591	60" 1524	OX XO	OXX XXO	OX XO	OXX XXO	OXXX XXXO	OXXXX XXXXO	OXXXXX XXXXXO
	87 3/16" 2214	86 11/16" 2201	84" 2134			OX XO	OXX XXO	OXXX XXXO	OXXXX XXXXO	OXXXXX XXXXXO
	99 1/8" 2518	98 5/8" 2505	96" 2438			OX XO	OXX XXO	OXXX XXXO	OXXXX XXXXO	OXXXXX XXXXXO
	111 1/8" 2823	110 5/8" 2810	108" 2743			OX XO	OXX XXO	OXXX XXXO	OXXXX XXXXO	OXXXXX XXXXXO
	123 1/8" 3128	122 5/8" 3115	120" 3048			OX XO	OXX XXO	OXXX XXXO	OXXXX XXXXO	OXXXXX XXXXXO

	Minimum Panel Dimensions - 2' x 3'
	Maximum Panel Dimensions - 5' x 10'
	Maximum System Width - 24'

- Note:
- O = Fixed
 - X = Operating
 - P = Pocketing

- The preparation of the rough opening for large openings such as those required by, but not limited to, LiftSlide, Bifold and MultiSlide doors have unique requirements. Structural headers that allow for deflection no greater than 1/8" along the unsupported length once the header is fully loaded are required. Special care needs to be taken when installing any unit including transoms above such large opening units.
- Loewen is not responsible for site measurements or the determination of structural and architectural requirements for the installation of large opening products such as but not limited to, LiftSlide, Bifold and MultiSlide doors. Site specifications are the responsibility of building professionals or engineers to determine.

LOEWEN MULTISLIDE: SIZING CHARTS FOR STACKING

NARROW STILE

		WIDTH							
Rough Opening		237 7/8" 6042	271" 6884	120 3/16" 3052	177 5/16" 4504	234 1/2" 5957	289" 7341		
System		236 7/8" 6017	270" 6859	119 3/16" 3027	176 5/16" 4479	233 1/2" 5932	288" 7315		
R.O.	System	Panel		Jamb					
		36" 914	36" 914	60" 1524	60" 1524	60" 1524	59 7/16" 1510		
			Jamb	22 3/8" 569	25 3/8" 645	7 3/8" 188	10 3/8" 264	13 3/8" 340	16 3/8" 416
39 1/8" 994	38 5/8" 981	36" 914		XXXXXX XXXXXO	XXXXXXXX XXXXXXXXO	OX XO	OXX XXO	OXXX XXXO	OXXXX XXXXO
63 1/8" 1604	62 5/8" 1591	60" 1524		XXXXXX XXXXXO	XXXXXXXX XXXXXXXXO	OX XO	OXX XXO	OXXX XXXO	OXXXX XXXXO
87 3/16" 2214	86 11/16" 2201	84" 2134		XXXXXX XXXXXO	XXXXXXXX XXXXXXXXO	OX XO	OXX XXO	OXXX XXXO	OXXXX XXXXO
99 1/8" 2518	98 5/8" 2505	96" 2438		XXXXXX XXXXXO	XXXXXXXX XXXXXXXXO	OX XO	OXX XXO	OXXX XXXO	OXXXX XXXXO
111 1/8" 2823	110 5/8" 2810	108" 2743		XXXXXX XXXXXO	XXXXXXXX XXXXXXXXO	OX XO	OXX XXO	OXXX XXXO	OXXXX XXXXO
123 1/8" 3128	122 5/8" 3115	120" 3048		XXXXXX XXXXXO	XXXXXXXX XXXXXXXXO	OX XO	OXX XXO	OXXX XXXO	OXXXX XXXXO

	Minimum Panel Dimensions - 2' x 3'
	Maximum Panel Dimensions - 5' x 10'
	Maximum System Width - 24'

Note: • O = Fixed
• X = Operating
• P = Pocketing

• The preparation of the rough opening for large openings such as those required by, but not limited to, LiftSlide, Bifold and MultiSlide doors have unique requirements. Structural headers that allow for deflection no greater than 1/8" along the unsupported length once the header is fully loaded are required. Special care needs to be taken when installing any unit including transoms above such large opening units.

• Loewen is not responsible for site measurements or the determination of structural and architectural requirements for the installation of large opening products such as but not limited to, LiftSlide, Bifold and MultiSlide doors. Site specifications are the responsibility of building professionals or engineers to determine.

LOEWEN MULTISLIDE: SIZING CHARTS FOR STACKING

WIDE STILE

		WIDTH								
Rough Opening		46 5/8" 1184	66 1/4" 1683	70 5/8" 1794	102 1/4" 2597	133 7/8" 3401	165 1/2" 4204	197 3/16" 5008		
System		45 5/8" 1159	65 1/4" 1658	69 5/8" 1769	101 1/4" 2572	132 7/8" 3375	164 1/2" 4179	196 3/16" 4982		
R.O.	System	Panel		Jamb						
		24" 610	24" 610	36" 914	36" 914	36" 914	36" 914	36" 914	36" 914	36" 914
			Jamb	7 3/8" 188	10 3/8" 264	7 3/8" 188	10 3/8" 264	13 3/8" 340	16 3/8" 416	19 3/8" 492
39 1/8" 994	38 5/8" 981	36" 914		OX XO	OXX XXO	OX XO	OXX XXO	OXXX XXXO	OXXXX XXXXO	OXXXXX XXXXXO
63 1/8" 1604	62 5/8" 1591	60" 1524		OX XO	OXX XXO	OX XO	OXX XXO	OXXX XXXO	OXXXX XXXXO	OXXXXX XXXXXO
87 3/16" 2214	86 11/16" 2201	84" 2134				OX XO	OXX XXO	OXXX XXXO	OXXXX XXXXO	OXXXXX XXXXXO
99 1/8" 2518	98 5/8" 2505	96" 2438				OX XO	OXX XXO	OXXX XXXO	OXXXX XXXXO	OXXXXX XXXXXO
111 1/8" 2823	110 5/8" 2810	108" 2743				OX XO	OXX XXO	OXXX XXXO	OXXXX XXXXO	OXXXXX XXXXXO
123 1/8" 3128	122 5/8" 3115	120" 3048				OX XO	OXX XXO	OXXX XXXO	OXXXX XXXXO	OXXXXX XXXXXO

	Minimum Panel Dimensions - 2' x 3'
	Maximum Panel Dimensions - 5' x 10'
	Maximum System Width - 24'

Note: • O = Fixed
• X = Operating
• P = Pocketing

• The preparation of the rough opening for large openings such as those required by, but not limited to, LiftSlide, Bifold and MultiSlide doors have unique requirements. Structural headers that allow for deflection no greater than 1/8" along the unsupported length once the header is fully loaded are required. Special care needs to be taken when installing any unit including transoms above such large opening units.

• Loewen is not responsible for site measurements or the determination of structural and architectural requirements for the installation of large opening products such as but not limited to, LiftSlide, Bifold and MultiSlide doors. Site specifications are the responsibility of building professionals or engineers to determine.

LOEWEN MULTISLIDE: SIZING CHARTS FOR STACKING

WIDE STILE (Continued)

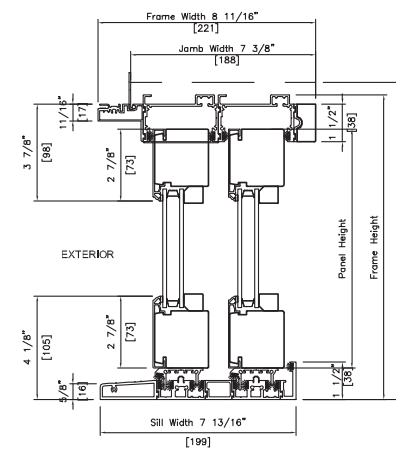
		WIDTH							
Rough Opening		228 3/4" 5811	260 7/16" 6614	118 5/8" 3013	174 1/4" 4426	229 7/8" 5839	285 1/2" 7252		
System		227 3/4" 5786	259 7/16" 6589	117 5/8" 2988	173 1/4" 4401	228 7/8" 5814	284 1/2" 7227		
R.O.	System								
	Panel	36" 914	36" 914	60" 1524	60" 1524	60" 1524	60" 1524		
Jamb		22 3/8" 569	25 3/8" 645	7 3/8" 188	10 3/8" 264	13 3/8" 340	16 3/8" 416		
39 1/8" 994	38 5/8" 981	36" 914		OXXXXX XXXXXO	OXXXXXX XXXXXXO	OX XO	OXX XXO	OXXX XXXO	OXXXX XXXXO
63 1/8" 1604	62 5/8" 1591	60" 1524		OXXXXX XXXXXO	OXXXXXX XXXXXXO	OX XO	OXX XXO	OXXX XXXO	OXXXX XXXXO
87 3/16" 2214	86 11/16" 2201	84" 2134		OXXXXX XXXXXO	OXXXXXX XXXXXXO	OX XO	OXX XXO	OXXX XXXO	OXXXX XXXXO
99 1/8" 2518	98 5/8" 2505	96" 2438		OXXXXX XXXXXO	OXXXXXX XXXXXXO	OX XO	OXX XXO	OXXX XXXO	OXXXX XXXXO
111 1/8" 2823	110 5/8" 2810	108" 2743		OXXXXX XXXXXO	OXXXXXX XXXXXXO	OX XO	OXX XXO	OXXX XXXO	OXXXX XXXXO
123 1/8" 3128	122 5/8" 3115	120" 3048		OXXXXX XXXXXO	OXXXXXX XXXXXXO	OX XO	OXX XXO	OXXX XXXO	OXXXX XXXXO

	Minimum Panel Dimensions - 2' x 3'
	Maximum Panel Dimensions - 5' x 10'
	Maximum System Width - 24'

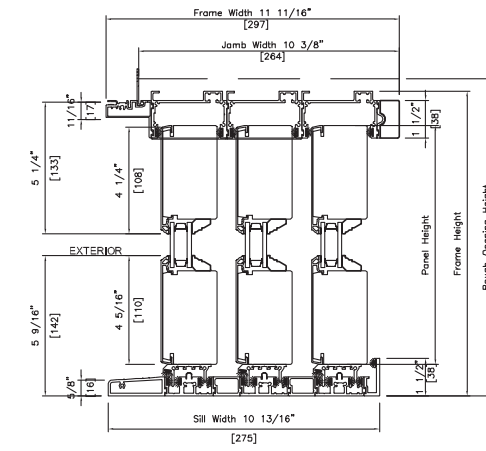
- Note:
- O = Fixed
 - X = Operating
 - P = Pocketing
- The preparation of the rough opening for large openings such as those required by, but not limited to, LiftSlide, Bifold and MultiSlide doors have unique requirements. Structural headers that allow for deflection no greater than 1/8" along the unsupported length once the header is fully loaded are required. Special care needs to be taken when installing any unit including transoms above such large opening units.
 - Loewen is not responsible for site measurements or the determination of structural and architectural requirements for the installation of large opening products such as but not limited to, LiftSlide, Bifold and MultiSlide doors. Site specifications are the responsibility of building professionals or engineers to determine.

LOEWEN MULTISLIDE: STACKING - DOOR DETAIL

HEAD & SILL DETAIL

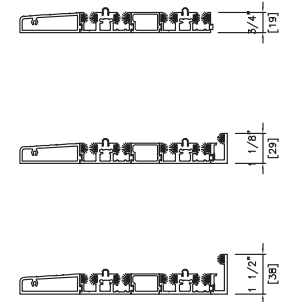


METAL CLAD - NARROW STILE (OX)

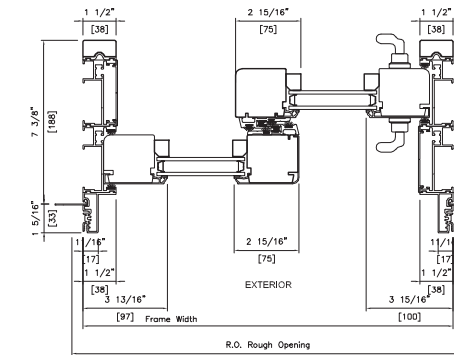


METAL CLAD - WIDE STILE (OXX)

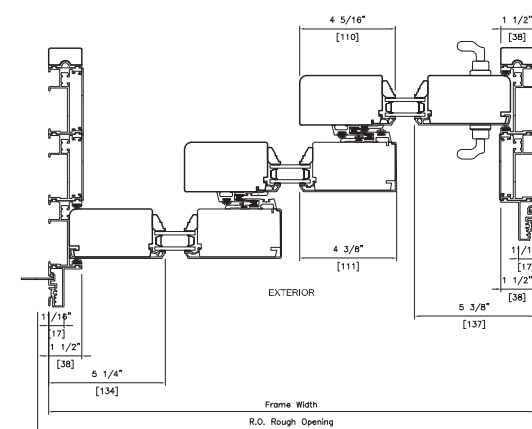
OPTIONAL RISERS



PLAN VIEW

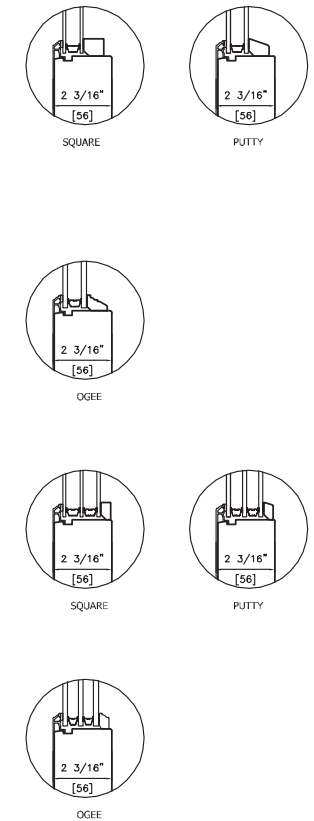


METAL CLAD - NARROW STILE (OX)



METAL CLAD - WIDE STILE (OXX)

STANDARD GLAZING DETAILS



- Note:
- Drawings shown are typical details.
 - Additional sizes and configurations available.
 - Screen options may be available depending on size and configuration.
 - Raised threshold available with a maximum of 6 panels per sill (12 in a bi-parting configuration; 2 per track).
 - Consult your Authorized Dealer for details.
 - All dimensions to have +/- 1/16" [2 mm] tolerance.
 - O = Fixed
 - X = Operating
 - P = Pocketing

- The preparation of the rough opening for large openings such as those required by, but not limited to, LiftSlide, Bifold and MultiSlide doors have unique requirements. Structural headers that allow for deflection no greater than 1/8" along the unsupported length once the header is fully loaded are required. Special care needs to be taken when installing any unit including transoms above such large opening units.
- Loewen is not responsible for site measurements or the determination of structural and architectural requirements for the installation of large opening products such as but not limited to, LiftSlide, Bifold and MultiSlide doors. Site specifications are the responsibility of building professionals or engineers to determine.

LOEWEN MULTISLIDE: SIZING CHARTS FOR STACKING with POCKET

NARROW STILE

		WIDTH								
		52 15/16" 1344	74 1/8" 1883	76 7/8" 1953	110" 2795	143 3/16" 3636	176 5/16" 4478	209 7/16" 5320		
HEIGHT	Rough Opening									
	R.O.	System	51 15/16" 1319	73 1/8" 1857	75 7/8" 1927	109" 2769	142 3/16" 3611	175 5/16" 4533	208 7/16" 5295	
		Framed Rough Opening	27 7/8" 709	49 1/8" 1247	39 7/8" 1013	73 1/16" 1855	106 3/16" 2697	139 5/16" 3539	172 1/2" 4381	
		System								
		Panel	24" 610	24" 610	36" 914	36" 914	36" 914	36" 914	36" 914	36" 914
		Jamb	4 3/8" 111	7 3/8" 187	4 3/8" 111	7 3/8" 188	10 3/8" 264	13 3/8" 340	16 3/8" 416	
	39 1/8" 994	38 5/8" 981	36" 914		PX XP	PXX XXP	PX XP	PXX XXP	PXXX XXXP	
	63 1/8" 1604	62 5/8" 1591	60" 1524		PX XP	PXX XXP	PX XP	OXX XXO	PXXX XXXP	
	87 3/16" 2214	86 11/16" 2201	84" 2134				PX XP	OXX XXO	PXXX XXXP	
	99 1/8" 2518	98 5/8" 2505	96" 2438				PX XP	OXX XXO	PXXX XXXP	
	111 1/8" 2823	110 5/8" 2810	108" 2743				PX XP	OXX XXO	PXXX XXXP	
	123 1/8" 3128	122 5/8" 3115	120" 3048				PX XP	OXX XXO	PXXX XXXP	

	Minimum Panel Dimensions - 2' x 3'
	Maximum Panel Dimensions - 5' x 10'
	Maximum System Width - 24'

- Note:
- O = Fixed
 - X = Operating
 - P = Pocketing
 - The preparation of the rough opening for large openings such as those required by, but not limited to, LiftSlide, Bifold and MultiSlide doors have unique requirements. Structural headers that allow for deflection no greater than 1/8" along the unsupported length once the header is fully loaded are required. Special care needs to be taken when installing any unit including transoms above such large opening units.
 - Loewen is not responsible for site measurements or the determination of structural and architectural requirements for the installation of large opening products such as but not limited to, LiftSlide, Bifold and MultiSlide doors. Site specifications are the responsibility of building professionals or engineers to determine.

LOEWEN MULTISLIDE: SIZING CHARTS FOR STACKING with POCKET

NARROW STILE

		WIDTH								
		242 5/8" 6162	275 3/4" 7004	289" 7341	124 7/8" 3172	182 1/16" 4625	239 1/4" 6076	289" 7341		
HEIGHT	Rough Opening									
	R.O.	System	241 5/8" 6137	274 3/4" 6979	288" 7315	123 7/8" 3147	181 1/16" 4599	238 1/4" 6051	288" 7315	
		Framed Rough Opening	205 5/8" 5223	238 3/4" 6065	254 1/4" 6457	63 7/8" 1623	121 1/16" 3075	178 1/4" 4527	229 1/2" 5829	
		System								
		Panel	36" 914	36" 914	33 3/4" 858	60" 1524	60" 1524	60" 1524	58 1/2" 1487	
		Jamb	19 3/8" 492	22 3/8" 569	25 3/8" 645	4 3/8" 111	7 3/8" 187	10 3/8" 264	13 3/8" 340	
	39 1/8" 994	38 5/8" 981	36" 914		PXXXXX XXXXXP	PXXXXX XXXXXP	PXXXXX XXXXXP	PX XP	PXX XXP	
	63 1/8" 1604	62 5/8" 1591	60" 1524		PXXXXX XXXXXP	PXXXXX XXXXXP	PXXXXX XXXXXP	PX XP	PXX XXP	
	87 3/16" 2214	86 11/16" 2201	84" 2134		PXXXXX XXXXXP	PXXXXX XXXXXP	PXXXXX XXXXXP	PX XP	PXX XXP	
	99 1/8" 2518	98 5/8" 2505	96" 2438		PXXXXX XXXXXP	PXXXXX XXXXXP	PXXXXX XXXXXP	PX XP	PXX XXP	
	111 1/8" 2823	110 5/8" 2810	108" 2743		PXXXXX XXXXXP	PXXXXX XXXXXP	PXXXXX XXXXXP	PX XP	PXX XXP	
	123 1/8" 3128	122 5/8" 3115	120" 3048		PXXXXX XXXXXP	PXXXXX XXXXXP	PXXXXX XXXXXP	PX XP	PXX XXP	

	Minimum Panel Dimensions - 2' x 3'
	Maximum Panel Dimensions - 5' x 10'
	Maximum System Width - 24'

- Note:
- O = Fixed
 - X = Operating
 - P = Pocketing
 - The preparation of the rough opening for large openings such as those required by, but not limited to, LiftSlide, Bifold and MultiSlide doors have unique requirements. Structural headers that allow for deflection no greater than 1/8" along the unsupported length once the header is fully loaded are required. Special care needs to be taken when installing any unit including transoms above such large opening units.
 - Loewen is not responsible for site measurements or the determination of structural and architectural requirements for the installation of large opening products such as but not limited to, LiftSlide, Bifold and MultiSlide doors. Site specifications are the responsibility of building professionals or engineers to determine.

LOEWEN MULTISLIDE: SIZING CHARTS FOR STACKING with POCKET

NORROW STILE

		WIDTH													
Rough Opening		52 15/16 1344	74 1/8 1883	76 7/8 1953	110 2795	143 3/16 3636	176 5/16 4478	209 7/16 5320	242 5/8 6162	275 3/4 7004	289 7341	124 7/8 3172	182 1/16 4625	239 1/4 6076	289 7341
R.O.	System	51 15/16" 1319	71 9/16 1818	75 7/8 1927	109 2769	142 3/16 3611	175 5/16 4533	208 7/16 5295	241 5/8 6137	274 3/4 6979	288 7215	123 7/8 3147	181 1/16 4599	238 1/4 6051	288 7315
	Framed Rough Opening	27 7/8" 709	49 1/8 1247	39 7/8 1013	73 1/16 1855	106 3/16 2697	139 5/16 3539	172 1/2 4381	205 5/8 5223	238 3/4 6065	254 1/4 6457	63 7/8 1623	121 1/16 3075	178 1/4 4527	229 1/2 5829
	Panel	24 610	24 610	36 914	36 914	36 914	36 914	36 914	36 914	36 914	33 3/4 858	60 1524	60 1524	60 1524	58 1/2 1487
	Pocket	4 7/16 113	7 178	4 7/16 113	7 178	10 254	13 330	16 406	19 483	22 559	25 635	4 7/16 113	7 178	10 254	13 330
	Jamb	4 3/8 111	7 3/8 187	4 3/8 111	7 3/8 188	10 3/8 264	13 3/8 340	16 3/8 416	19 3/8 492	22 3/8 569	25 3/8 645	4 3/8 111	7 3/8 187	10 3/8 264	13 3/8 340
39 1/8" 994	38 5/8" 981	36" 914	PX XP	PXX XXP	PX XP	PXX XXO	PXXX XXXXP	PXXXX XXXXXP	PXXXXX XXXXXP	PXXXXXX XXXXXP	PXXXXXXX XXXXXP	PX XP	PXX XXP	PXXX XXXP	PXXXX XXXXP
63 1/8" 1604	62 5/8" 1591	60" 1524	PX XP	PXX XXP	PX XP	OXX XXO	PXXX XXXXP	PXXXX XXXXXP	PXXXXX XXXXXP	PXXXXXX XXXXXP	PXXXXXXX XXXXXP	PX XP	PXX XXP	PXXX XXXP	PXXXX XXXXP
87 3/16" 2214	86 11/16" 2201	84" 2134			PX XP	OXX XXO	PXXX XXXXP	PXXXX XXXXXP	PXXXXX XXXXXP	PXXXXXX XXXXXP	PXXXXXXX XXXXXP	PX XP	PXX XXP	PXXX XXXP	PXXXX XXXXP
99 1/8" 2518	98 5/8" 2505	96" 2438			PX XP	OXX XXO	PXXX XXXXP	PXXXX XXXXXP	PXXXXX XXXXXP	PXXXXXX XXXXXP	PXXXXXXX XXXXXP	PX XP	PXX XXP	PXXX XXXP	PXXXX XXXXP
111 1/8" 2823	110 5/8" 2810	108" 2743			PX XP	OXX XXO	PXXX XXXXP	PXXXX XXXXXP	PXXXXX XXXXXP	PXXXXXX XXXXXP	PXXXXXXX XXXXXP	PX XP	PXX XXP	PXXX XXXP	PXXXX XXXXP
123 1/8" 3128	122 5/8" 3115	120" 3048			PX XP	OXX XXO	PXXX XXXXP	PXXXX XXXXXP	PXXXXX XXXXXP	PXXXXXX XXXXXP	PXXXXXXX XXXXXP	PX XP	PXX XXP	PXXX XXXP	PXXXX XXXXP

Minimum Panel Dimensions - 2' x 3'
Maximum Panel Dimensions - 5' x 10'
Maximum System Width - 24'

Note: • O = Fixed
 • X = Operating
 • P = Pocketing

- The preparation of the rough opening for large openings such as those required by, but not limited to, LiftSlide, Bifold and MultiSlide doors have unique requirements. Structural headers that allow for deflection no greater than 1/8" along the unsupported length once the header is fully loaded are required. Special care needs to be taken when installing any unit including transoms above such large opening units.
- Loewen is not responsible for site measurements or the determination of structural and architectural requirements for the installation of large opening products such as but not limited to, LiftSlide, Bifold and MultiSlide doors. Site specifications are the responsibility of building professionals or engineers to determine.

LOEWEN MULTISLIDE: SIZING CHARTS FOR STACKING with POCKET

WIDE STILE

		WIDTH													
Rough Opening		52 15/16 1344	72 9/16 1844	76 7/8 1953	108 1/2 2756	140 1/8 3560	176 5/16 4478	203 3/8 5166	235 1/16 5970	266 11/16 6774	289" 7341	124 7/8 3172	180 9/16 4586	236 3/16 6000	289 7341
R.O.	System	51 15/16" 1319	71 9/16 1818	75 7/8 1927	107 1/2 2730	139 1/8 3534	175 5/16 4533	202 3/8 5141	234 1/16 5945	265 11/16 6748	288" 7315	123 7/8 3147	179 9/16 4560	235 3/16 5974	288 7315
	Framed Rough Opening	27 7/8" 709	47 9/16 1208	39 7/8 1013	71 1/2 1816	103 1/8 2620	139 1/16 3539	166 3/8 4226	198 1/16 5030	229 11/16 5834	253 6457	63 7/8 1623	119 1/2 3036	175 3/16 4450	228 9/16 5805
	Panel	24 610	24 610	36 914	36 914	36 914	36 914	36 914	36 914	36 914	34 15/16 858	60 1524	60 1524	60 1524	59 7/16 1510
	Pocket	4 7/16 113	7 178	4 7/16 113	7 178	10 254	13 330	16 406	19 483	22 559	25 635	4 7/16 113	7 178	10 254	13 330
	Jamb	4 3/8 111	7 3/8 187	4 3/8 111	7 3/8 188	10 3/8 264	13 3/8 340	16 3/8 416	19 3/8 492	22 3/8 569	25 3/8 645	4 3/8 111	7 3/8 187	10 3/8 264	13 3/8 340
39 1/8" 994	38 5/8" 981	36" 914	PX XP	PXX XXP	PX XP	PXX XXO	PXXX XXXXP	PXXXX XXXXXP	PXXXXX XXXXXP	PXXXXXX XXXXXP	PXXXXXXX XXXXXP	PX XP	PXX XXP	PXXX XXXP	PXXXX XXXXP
63 1/8" 1604	62 5/8" 1591	60" 1524	PX XP	PXX XXP	PX XP	OXX XXO	PXXX XXXXP	PXXXX XXXXXP	PXXXXX XXXXXP	PXXXXXX XXXXXP	PXXXXXXX XXXXXP	PX XP	PXX XXP	PXXX XXXP	PXXXX XXXXP
87 3/16" 2214	86 11/16" 2201	84" 2134			PX XP	OXX XXO	PXXX XXXXP	PXXXX XXXXXP	PXXXXX XXXXXP	PXXXXXX XXXXXP	PXXXXXXX XXXXXP	PX XP	PXX XXP	PXXX XXXP	PXXXX XXXXP
99 1/8" 2518	98 5/8" 2505	96" 2438			PX XP	OXX XXO	PXXX XXXXP	PXXXX XXXXXP	PXXXXX XXXXXP	PXXXXXX XXXXXP	PXXXXXXX XXXXXP	PX XP	PXX XXP	PXXX XXXP	PXXXX XXXXP
111 1/8" 2823	110 5/8" 2810	108" 2743			PX XP	OXX XXO	PXXX XXXXP	PXXXX XXXXXP	PXXXXX XXXXXP	PXXXXXX XXXXXP	PXXXXXXX XXXXXP	PX XP	PXX XXP	PXXX XXXP	PXXXX XXXXP
123 1/8" 3128	122 5/8" 3115	120" 3048			PX XP	OXX XXO	PXXX XXXXP	PXXXX XXXXXP	PXXXXX XXXXXP	PXXXXXX XXXXXP	PXXXXXXX XXXXXP	OXX XXO	PXXX XXXXP	PXXXX XXXXP	PXXXX XXXXP

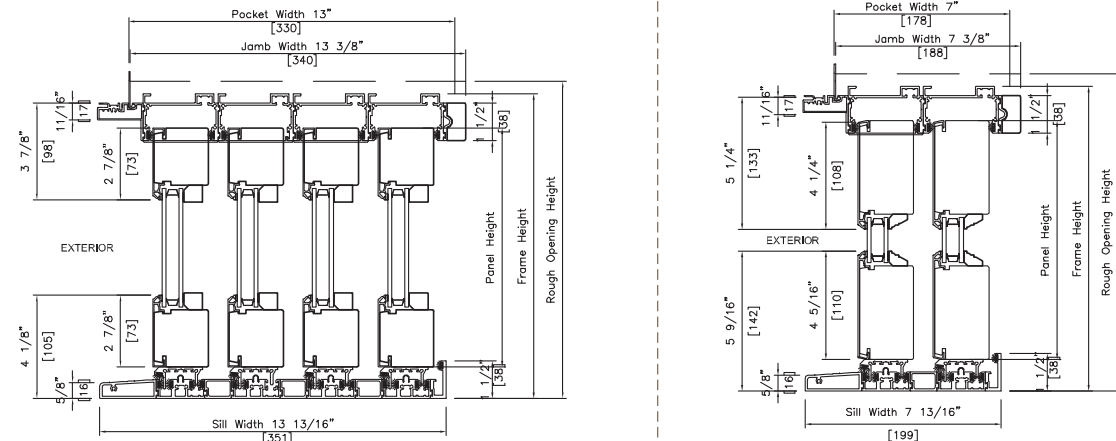
Minimum Panel Dimensions - 2' x 3'
Maximum Panel Dimensions - 5' x 10'
Maximum System Width - 24'

Note: • O = Fixed
 • X = Operating
 • P = Pocketing

- The preparation of the rough opening for large openings such as those required by, but not limited to, LiftSlide, Bifold and MultiSlide doors have unique requirements. Structural headers that allow for deflection no greater than 1/8" along the unsupported length once the header is fully loaded are required. Special care needs to be taken when installing any unit including transoms above such large opening units.
- Loewen is not responsible for site measurements or the determination of structural and architectural requirements for the installation of large opening products such as but not limited to, LiftSlide, Bifold and MultiSlide doors. Site specifications are the responsibility of building professionals or engineers to determine.

LOEWEN MULTISLIDE: STACKING with POCKET - DOOR DETAIL

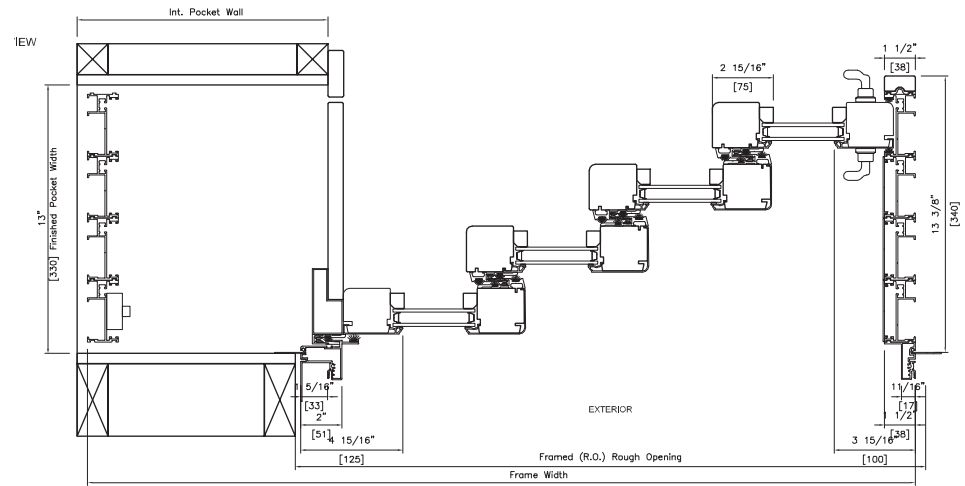
HEAD & SILL DETAIL



METAL CLAD - NARROW STILE (PXXXX)

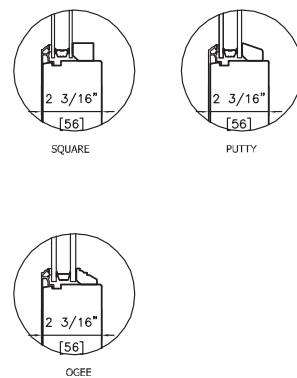
METAL CLAD - WIDE STILE (PX)

PLAN VIEW



METAL CLAD - NARROW STILE (PXXXX)

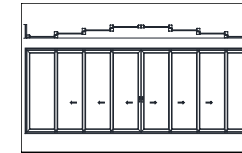
GLAZING STOP OPTIONS



METAL CLAD - WIDE STILE (PX)

- Note:
- Drawings shown are typical details.
 - Additional sizes and configurations available.
 - Screen options may be available depending on size and configuration.
 - Raised threshold available with a maximum of 6 panels per sill (12 in a bi-parting configuration; 2 per track).
 - Consult your Authorized Dealer for details.
 - All dimensions to have +/- 1/16" (2 mm) tolerance.
 - O = Fixed
 - X = Operating
 - P = Pocketing

- The preparation of the rough opening for large openings such as those required by, but not limited to, LiftSlide, Bifold and MultiSlide doors have unique requirements. Structural headers that allow for deflection no greater than 1/8" along the unsupported length once the header is fully loaded are required. Special care needs to be taken when installing any unit including transoms above such large opening units.
- Loewen is not responsible for site measurements or the determination of structural and architectural requirements for the installation of large opening products such as but not limited to, Liftslide, Bifold and MultiSlide doors. Site specifications are the responsibility of building professionals or engineers to determine.



NARROW STILE

LOEWEN MULTISLIDE: SIZING CHARTS FOR BI-PARTING

		WIDTH								
Rough Opening		93 7/8" [2384]	136 3/16" [3459]	141 3/4" [3600]	208" [5283]	274 5/16" [6967]	237 13/16" [6040]	289" [7341]		
	System	92 7/8" [2359]	135 3/16" [3434]	140 3/4" [3575]	207" [5258]	273 5/16" [6942]	236 13/16" [6015]	288" [7315]		
	System Panel	24" [610]	24" [610]	36" [914]	36" [914]	36" [914]	60" [1524]	49 1/2" [1257]		
	Jamb	7 3/8" [188]	10 3/8" [264]	7 3/8" [188]	10 3/8" [264]	13 3/8" [340]	7 3/8" [188]	10 3/8" [264]		
HEIGHT	39 1/8" [994]	38 5/8" [981]	36" [914]	OX-XO	OXX-XXO	OX-XO	OXX-XXO	OXXX-XXXO	OX-XO	OXX-XXO
	63 1/8" [1604]	62 5/8" [1591]	60" [1524]	OX-XO	OXX-XXO	OX-XO	OXX-XXO	OXXX-XXXO	OX-XO	OXX-XXO
	87 3/16" [2214]	86 11/16" [2201]	84" [2134]			OX-XO	OXX-XXO	OXXX-XXXO	OX-XO	OXX-XXO
	99 1/8" [2518]	98 5/8" [2505]	96" [2438]			OX-XO	OXX-XXO	OXXX-XXXO	OX-XO	OXX-XXO
	111 1/8" [2823]	110 5/8" [2810]	108" [2743]			OX-XO	OXX-XXO	OXXX-XXXO	OX-XO	OXX-XXO
	123 1/8" [3128]	122 5/8" [3115]	120" [3048]			OX-XO	OXX-XXO	OXXX-XXXO	OX-XO	OXX-XXO

Minimum Panel Dimensions - 2' x 3'
Maximum Panel Dimensions - 5' x 10'
Maximum System Width - 24'

- Note:
- O = Fixed
 - X = Operating
 - P = Pocketing

- The preparation of the rough opening for large openings such as those required by, but not limited to, LiftSlide, Bifold and MultiSlide doors have unique requirements. Structural headers that allow for deflection no greater than 1/8" along the unsupported length once the header is fully loaded are required. Special care needs to be taken when installing any unit including transoms above such large opening units.
- Loewen is not responsible for site measurements or the determination of structural and architectural requirements for the installation of large opening products such as but not limited to, LiftSlide, Bifold and MultiSlide doors. Site specifications are the responsibility of building professionals or engineers to determine.

LOEWEN MULTISLIDE: SIZING CHARTS FOR BI-PARTING

WIDE STILE

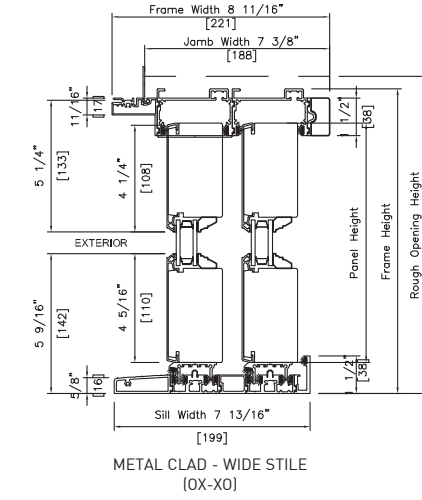
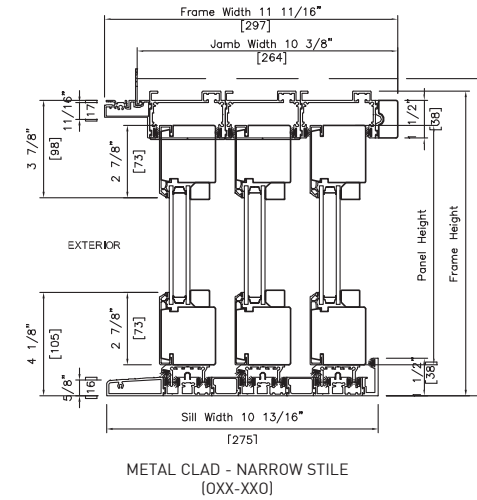
		WIDTH								
HEIGHT	Rough Opening	90 13/16" 2307	129 15/16" 3301	138 11/16" 3523	201 15/16" 5129	264 3/16" 6736	234 3/4" 5963	289" 7341		
	System	89 13/16" 2281	128 15/16" 3434	137 11/16" 3497	200 15/16" 5104	263 3/16" 6711	233 3/4" 5937	288" 7315		
	R.O. System Panel	24" 610	24" 610	36" 914	36" 914	36" 914	60" 1524	50 1/2" 1283		
	Jamb	7 3/8" 188	10 3/8" 264	7 3/8" 188	10 3/8" 264	13 3/8" 340	7 3/8" 188	10 3/8" 264		
39 1/8" 994	38 5/8" 981	36" 914		OX-XO	OXX-XXO	OX-XO	OXX-XXO	OXXX-XXXO	OX-XO	OXX-XXO
63 1/8" 1604	62 5/8" 1591	60" 1524		OX-XO	OXX-XXO	OX-XO	OXX-XXO	OXXX-XXXO	OX-XO	OXX-XXO
87 3/16" 2214	86 11/16" 2201	84" 2134				OX-XO	OXX-XXO	OXXX-XXXO	OX-XO	OXX-XXO
99 1/8" 2518	98 5/8" 2505	96" 2438				OX-XO	OXX-XXO	OXXX-XXXO	OX-XO	OXX-XXO
111 1/8" 2823	110 5/8" 2810	108" 2743				OX-XO	OXX-XXO	OXXX-XXXO	OX-XO	OXX-XXO
123 1/8" 3128	122 5/8" 3115	120" 3048				OX-XO	OXX-XXO	OXXX-XXXO	OX-XO	OXX-XXO

	Minimum Panel Dimensions - 2' x 3'
	Maximum Panel Dimensions - 5' x 10'
	Maximum System Width - 24'

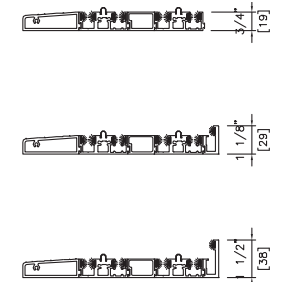
- Note:
- O = Fixed
 - X = Operating
 - P = Pocketing
 - The preparation of the rough opening for large openings such as those required by, but not limited to, LiftSlide, Bifold and MultiSlide doors have unique requirements. Structural headers that allow for deflection no greater than 1/8" along the unsupported length once the header is fully loaded are required. Special care needs to be taken when installing any unit including transoms above such large opening units.
 - Loewen is not responsible for site measurements or the determination of structural and architectural requirements for the installation of large opening products such as but not limited to, LiftSlide, Bifold and MultiSlide doors. Site specifications are the responsibility of building professionals or engineers to determine.

LOEWEN MULTISLIDE: BI-PARTING - DOOR DETAIL

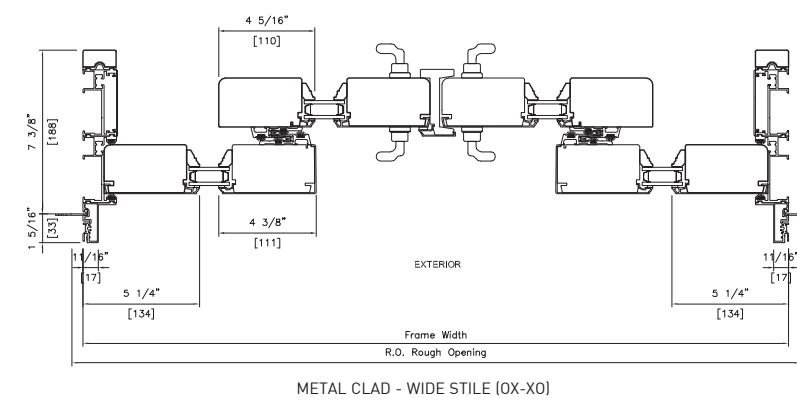
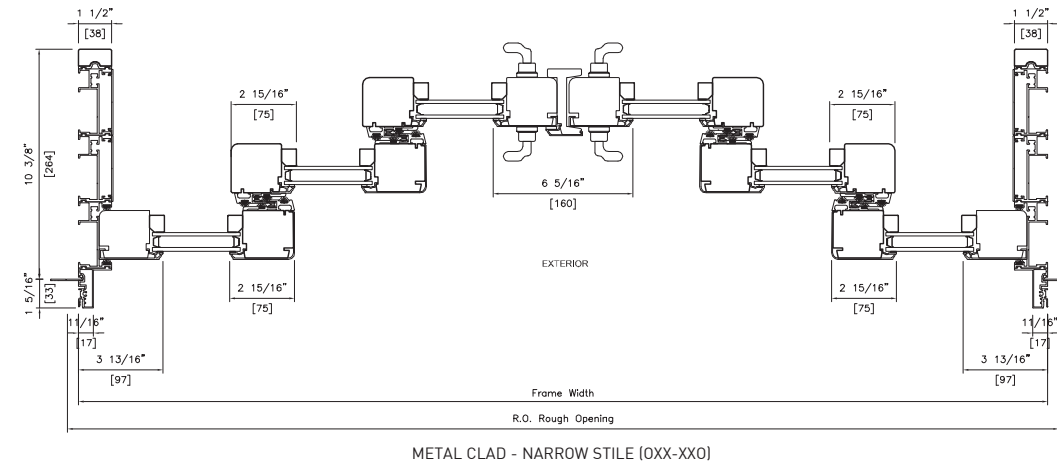
HEAD & SILL DETAIL



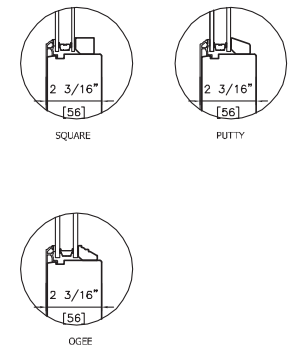
OPTIONAL RISERS



PLAN VIEW



GLAZING STOP OPTIONS



- Note:
- Drawings shown are typical details.
 - Additional sizes and configurations available.
 - Screen options may be available depending on size and configuration.
 - Raised threshold available with a maximum of 6 panels per sill (12 in a bi-parting configuration; 2 per track).
 - Consult your Authorized Dealer for details.
 - All dimensions to have +/- 1/16" [2 mm] tolerance.
 - O = Fixed
 - X = Operating
 - P = Pocketing
 - The preparation of the rough opening for large openings such as those required by, but not limited to, LiftSlide, Bifold and MultiSlide doors have unique requirements. Structural headers that allow for deflection no greater than 1/8" along the unsupported length once the header is fully loaded are required. Special care needs to be taken when installing any unit including transoms above such large opening units.
 - Loewen is not responsible for site measurements or the determination of structural and architectural requirements for the installation of large opening products such as but not limited to, LiftSlide, Bifold and MultiSlide doors. Site specifications are the responsibility of building professionals or engineers to determine.

LOEWEN MULTISLIDE: SIZING CHARTS FOR BI-PARTING with POCKET

NARROW STILE

		WIDTH										
	Rough Opening	103 1/4" 2623	145 5/8" 3699	151 1/8" 3839	217 7/16" 5523	283 3/4" 7207	289" 7341	247 3/16" 6279	289" 7341			
	System	102 1/4" 2597	144 5/8" 3673	150 1/8" 3813	216 7/16" 5497	282 3/4" 7182	288" 7315	246 3/16" 6253	288" 7315			
R.O.	System	Framed Rough Opening	53 1/4" 1352	95 9/16" 2428	77 3/16" 1960	143 7/16" 3644	209 3/4" 5328	227 1/4" 5772	125 3/16" 3180	191 3/16" 4856		
R.O.	System	Panel	24" 610	24" 610	36" 914	36" 914	36" 914	29 7/8" 759	60" 1524	47 15/16" 1217		
		Pocket	4" 102	7" 178	4" 102	7" 178	10" 254	13" 330	4" 102	7" 178		
HEIGHT	39 1/8" 994	38 5/8" 981	36" 914		PX-XP	PXX-XXP	PX-XP	PXX-XXP	PXXX-XXXXP	PXXX-XXXXP	PX-XP	PXX-XXP
	63 1/8" 1604	62 5/8" 1591	60" 1524		PX-XP	PXX-XXP	PX-XP	PXX-XXP	PXXX-XXXXP	PXXX-XXXXP	PX-XP	PXX-XXP
	87 3/16" 2214	86 11/16" 2201	84" 2134				PX-XP	PXX-XXP	PXXX-XXXXP	PXXX-XXXXP	PX-XP	PXX-XXP
	99 1/8" 2518	98 5/8" 2505	96" 2438				PX-XP	PXX-XXP	PXXX-XXXXP	PXXX-XXXXP	PX-XP	PXX-XXP
	111 1/8" 2823	110 5/8" 2810	108" 2743				PX-XP	PXX-XXP	PXXX-XXXXP	PXXX-XXXXP	PX-XP	PXX-XXP
	123 1/8" 3128	122 5/8" 3115	120" 3048				PX-XP	PXX-XXP	PXXX-XXXXP	PXXX-XXXXP	PX-XP	PXX-XXP

	Minimum Panel Dimensions - 2' x 3'
	Maximum Panel Dimensions - 5' x 10'
	Maximum System Width - 24'

- Note:
- O = Fixed
 - X = Operating
 - P = Pocketing
- The preparation of the rough opening for large openings such as those required by, but not limited to, LiftSlide, Bifold and MultiSlide doors have unique requirements. Structural headers that allow for deflection no greater than 1/8" along the unsupported length once the header is fully loaded are required. Special care needs to be taken when installing any unit including transoms above such large opening units.
 - Loewen is not responsible for site measurements or the determination of structural and architectural requirements for the installation of large opening products such as but not limited to, LiftSlide, Bifold and MultiSlide doors. Site specifications are the responsibility of building professionals or engineers to determine.

LOEWEN MULTISLIDE: SIZING CHARTS FOR BI-PARTING with POCKET

WIDE STILE

		WIDTH										
	Rough Opening	103 1/4" 2623	142 9/16" 3699	151 1/8" 3839	214 3/8" 5445	277 3/16" 7041	289" 7341	247 3/16" 6279	289" 7341			
	System	102 1/4" 2597	141 9/16" 3595	150 1/8" 3813	213 3/8" 5419	276 3/16" 7015	288" 7315	246 3/16" 6253	288" 7315			
R.O.	System	Framed Rough Opening	53 1/4" 1352	91 3/4" 2330	77 3/16" 1960	139 5/8" 3546	203 1/4" 5162	225 3/8" 5725	125 3/16" 3180	189 7/8" 4810		
R.O.	System	Panel	24" 610	24" 610	36" 914	36" 914	36" 914	30 3/16" 782	60" 1524	48 7/16" 1230		
		Jamb	4" 102	7" 178	4" 102	7" 178	10" 254	13" 330	4" 102	7" 178		
HEIGHT	39 1/8" 994	38 5/8" 981	36" 914		PX-XP	PXX-XXP	PX-XP	PXX-XXP	PXXX-XXXXP	PXXX-XXXXP	PX-XP	PXX-XXP
	63 1/8" 1604	62 5/8" 1591	60" 1524		PX-XP	PXX-XXP	PX-XP	PXX-XXP	PXXX-XXXXP	PXXX-XXXXP	PX-XP	PXX-XXP
	87 3/16" 2214	86 11/16" 2201	84" 2134				PX-XP	PXX-XXP	PXXX-XXXXP	PXXX-XXXXP	PX-XP	PXX-XXP
	99 1/8" 2518	98 5/8" 2505	96" 2438				PX-XP	PXX-XXP	PXXX-XXXXP	PXXX-XXXXP	PX-XP	PXX-XXP
	111 1/8" 2823	110 5/8" 2810	108" 2743				PX-XP	PXX-XXP	PXXX-XXXXP	PXXX-XXXXP	PX-XP	PXX-XXP
	123 1/8" 3128	122 5/8" 3115	120" 3048				PX-XP	PXX-XXP	PXXX-XXXXP	PXXX-XXXXP	PX-XP	PXX-XXP

	Minimum Panel Dimensions - 2' x 3'
	Maximum Panel Dimensions - 5' x 10'
	Maximum System Width - 24'

- Note:
- O = Fixed
 - X = Operating
 - P = Pocketing
- The preparation of the rough opening for large openings such as those required by, but not limited to, LiftSlide, Bifold and MultiSlide doors have unique requirements. Structural headers that allow for deflection no greater than 1/8" along the unsupported length once the header is fully loaded are required. Special care needs to be taken when installing any unit including transoms above such large opening units.
 - Loewen is not responsible for site measurements or the determination of structural and architectural requirements for the installation of large opening products such as but not limited to, LiftSlide, Bifold and MultiSlide doors. Site specifications are the responsibility of building professionals or engineers to determine.

TO FIND YOUR NEAREST LOEWEN DEALER GO TO WWW.LOEWEN.COM

Information subject to change without notice.

Distributed by Loewen Inc. in the USA and C.P. Loewen Enterprises Ltd. in Canada and internationally.
Trade Marks owned by C.P. Loewen Enterprises Ltd. Used under license. © C.P. Loewen Enterprises Ltd.
All rights reserved.



Recycled Paper
Printed in Canada
122015

Loewen