



Jakobsen Associates • HOME IN FIRST SHAUGHNESSY

## TECHNICAL GUIDE K BIFOLD DOORS



WINDOWS AND DOORS

## PRODUCT FEATURES

### STANDARD FEATURES

- Natural Douglas Fir interior [no visible finger joints]
- 6 9/16" [166 mm] jamb construction
- 4 mm Low E insulated tempered glazing
- Multi-point locking hardware and easy operating flush bolts
- Concealed intermediate guide and sill drainage system
- Extruded aluminum cladding in a variety of standard colors, primed wood or clear Fir exterior
- Flexible weatherstrip system

### HARDWARE

Multiple hardware and finish choices are available. See the Hardware in section A for more information.

### GLAZING

Heat-Smart® Double and Heat-Smart® Triple.

### SIMULATED DIVIDED LITES [SDL]

Ogee Profile — 3/4" [19 mm], 1 1/8" [30 mm], 2" [51 mm].

Putty Profile — 5/8" [16 mm], 7/8" [22 mm], 1 1/8" [30 mm], 2" [51 mm].

Square Profile [interior only] — 3/4" [19 mm], 7/8" [22 mm], 1 1/8" [30 mm], 2" [51 mm].

### CASING

WOOD: 2" [51 mm] Brickmould, 3 1/2" [89 mm] Flat, 5 1/2" [139 mm] Flat, Adams and Williamsburg.

METAL CLAD: 2" [51 mm] Brickmould, 3 1/2" [89 mm] Flat, Nose & Cove, Adams, Williamsburg and Contemporary.

### METAL CLAD COLOR SPECTRUM

Standard and Architectural Palette colors, including anodized finishes.



Douglas Fir Bifold Door  
[3L1R interior view]

LEGEND: ● Standard ○ Optional

	Bifold		Bifold
<b>HARDWARE STYLES</b>		<b>HINGES &amp; FLUSH BOLTS – FINISH OPTIONS</b>	
Multi-point Handle	●	Bronze	
Verona Handle	●	Brushed Aluminum	
Meran Handle	●	Bright Brass	
Shropshire Handle	●	<b>VARIABLES</b>	
Churchill Handle	●	Function:	
Athina Handle	●	Use for Egress	
Rodos Handle	●	Multi-point Hardware	
Dallas Handle	●	Durability:	
<b>LOCKING HARDWARE</b>		Low Maintenance Metal Clad Exterior <sup>1</sup>	
Flush Bolts	●	Clear Douglas Fir Exterior Finish	
Twin Point Lock	○	Clear Mahogany Exterior Finish	
		Primed Exterior Finish	
		Performance:	
		Heat-Smart® Double	
		Heat-Smart® Triple	
		Appearance:	
		SDL	
		Vertical Grain Fir Panel	

1 – Various Standard and Architectural metal clad colors, including anodized finishes

2 – Shropshire/Churchill only

## SPECIFICATIONS

---

### STANDARDS

Most individual units have been tested by an independent laboratory for air and water infiltration, structural performance and thermal performance requirements.

### PANEL & FRAME

The basic specifications include Douglas Fir wood door and frame. Door sill with integrated drainage system is clad with bronze anodized aluminum. All exterior components are factory primed unless specified as clear exterior. Minor scratches or abrasions in the wood surface or primer are not considered defects.

Refer to elevation drawings for screen availability.

### ALTERNATE SPECIES

The entire Loewen product line is also available in optional Mahogany or optional chain of custody certified Douglas Fir [SCS-COC-005141].

### PRESERVATIVE TREATED

All wood parts are dipped in approved preservative.

### GLAZING

With countless glazing configurations and Low E coating options, we ensure that you can choose the perfect blend of protection and comfort.

### INSULATING GLASS

Double or triple insulating tempered glass configuration with 1/2" [13 mm] airspace.

---

## LOEWEN NARROW STILE BIFOLD DOOR

### FEATURES

- Narrower stiles and rails compared to standard BiFold Door panels
- Incorporates standard BiFold Door frame and sill
- Metal Clad only in all current finishes with the exception of Cyprium
- Not available in shaped units, rectangle only

### SIZES

Rough Opening and OSM remains the same as a standard BiFold Door

### HEAT-SMART® SYSTEMS

Heat-Smart® best describes the benefits of the product that incorporates Low E coating and argon gas. Heat-Smart® systems help reduce heating and cooling costs, providing superior energy efficiency.

### SIMULATED DIVIDED LITES [SDL]

Standard SDL complete with airspace grilles. Grille bars are permanently applied to the interior and exterior.

### METAL CLADDING

Heavy duty exterior metal cladding comprised of extruded aluminum is available in a variety of Standard and Architectural Palette colors including anodized finishes. Interior of window can be natural wood [unfinished] or primed. Metal clad units are supplied ready-to-install complete with integral metal nailing flange.

### HARDWARE

Multi-point locking hardware and manual flush bolts are standard. Optional keyed alike locks, concealed locking shoot bolts and low profile handles are available.

### WEATHERSTRIP

Bottom corners of the door are weatherstripped with a pile dust plug attached to the side jambs. Operating panels will be sealed with a wrapped foam weatherstrip at the head, side jambs and between panels to provide a tight seal.

Ogee, Putty, Squire interior glazing stops are available along with complementary SDL bars

---

Visit the [Loewen Photo Gallery](http://www.loewen.com) online at [www.loewen.com](http://www.loewen.com) for a large collection of Loewen product and elevation photography.

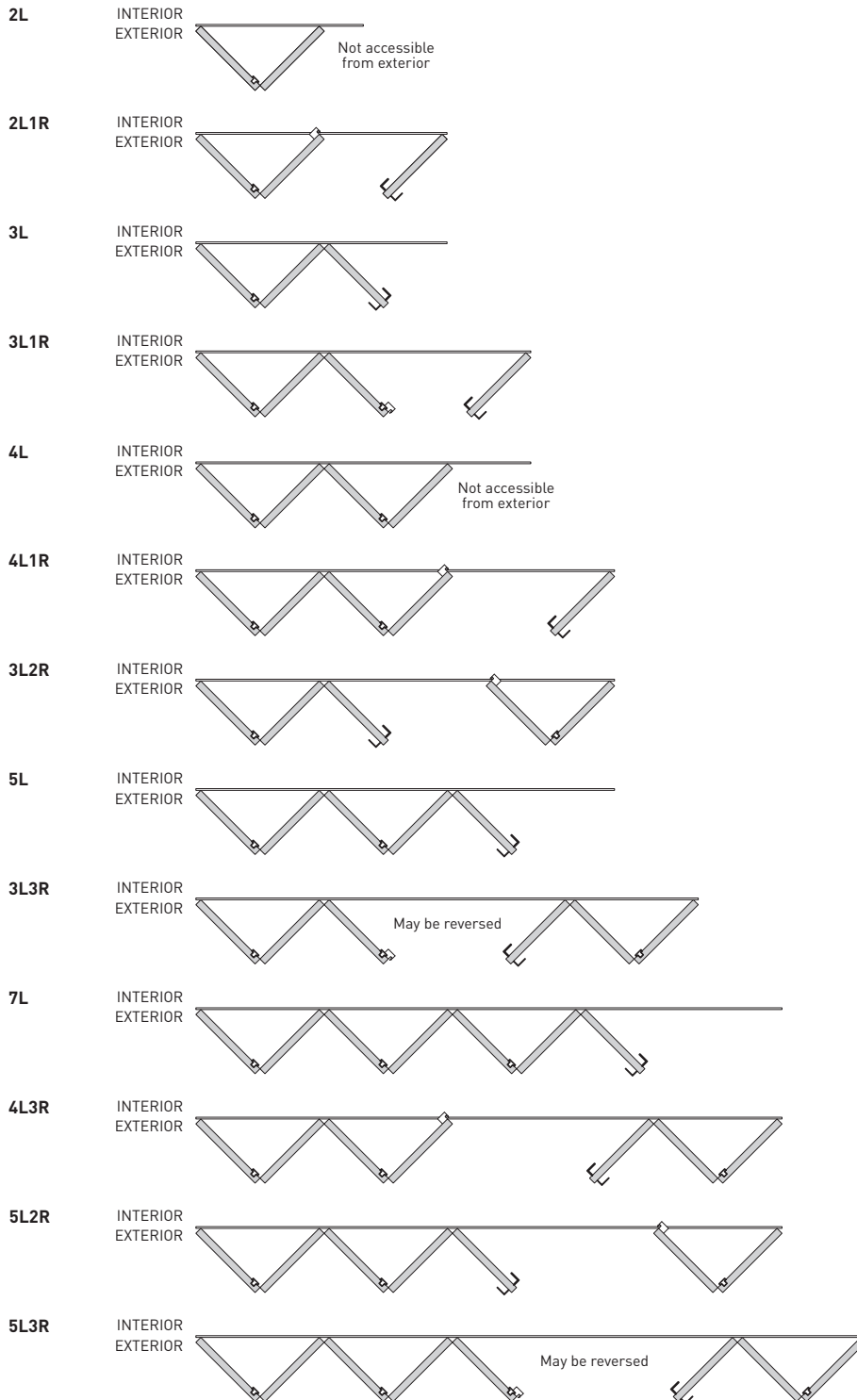
Numerous custom window configuration opportunities exist — please contact your Authorized Loewen Dealer.

Specifications and technical information are subject to change without notice. Imperial and metric measurements are converted accurately. However, in some cases, industry standards cause a 1 mm variance. [Example: 3/4" is shown as 19 mm for all glass measurements.]

CAD Download and Installation Instructions: [www.loewen.com](http://www.loewen.com)

# BIFOLD DOOR DETAIL

## TYPICAL BIFOLD CONFIGURATIONS

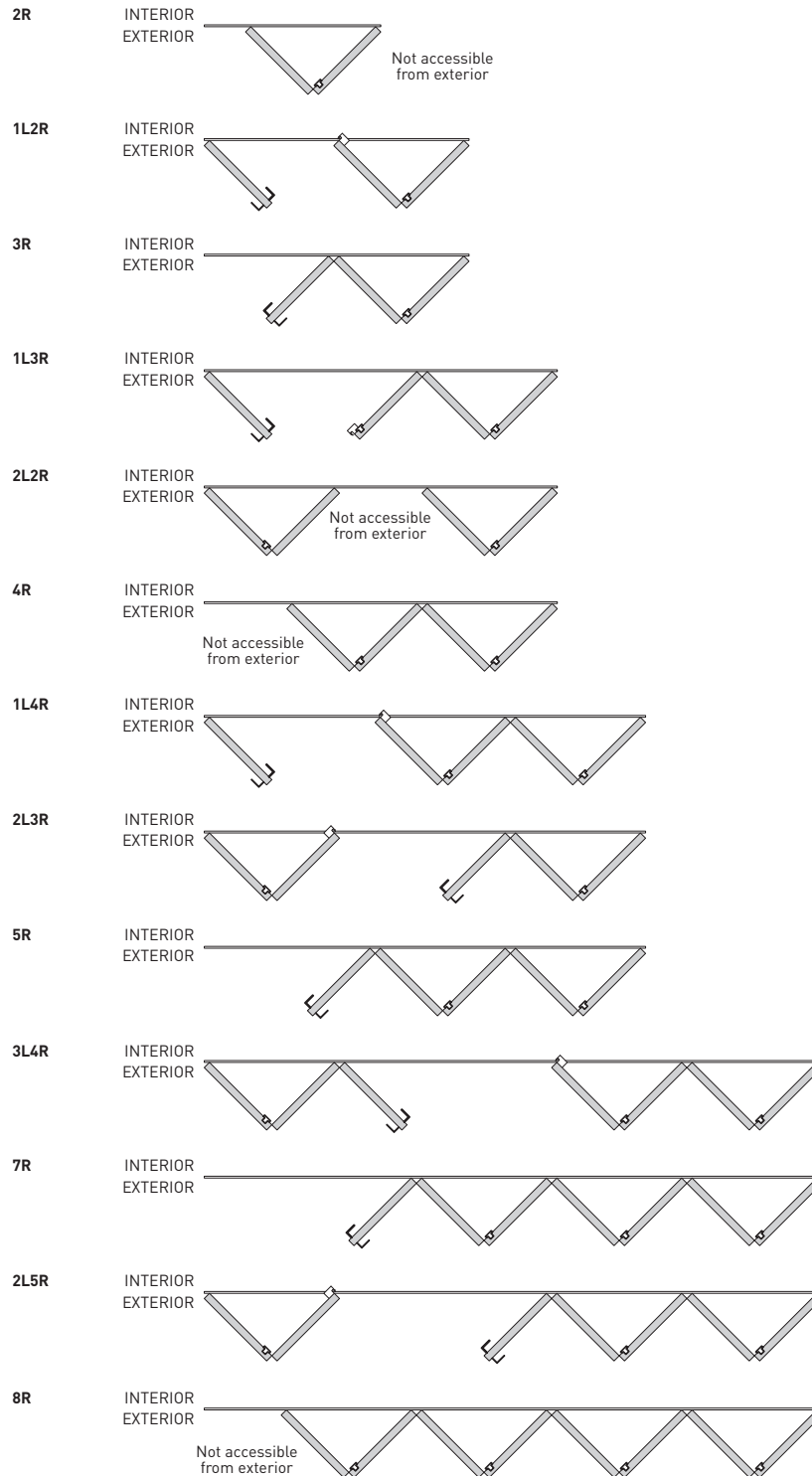


Note: • The preparation of the rough opening for large openings such as those required by, but not limited to, LiftSlide and Bifold doors have unique requirements. Structural headers that allow for deflection no greater than 1/8" along the unsupported length once the header is fully loaded are required. Special care needs to be taken when installing any unit including transoms above such large opening units.

Loewen is not responsible for site measurements or the determination of structural and architectural requirements for the installation of large opening products such as but not limited to, Liftslide and Bifold doors. Site specifications are the responsibility of building professionals or engineers to determine.

# BIFOLD DOOR DETAIL

## TYPICAL BIFOLD CONFIGURATIONS



Note: • The preparation of the rough opening for large openings such as those required by, but not limited to, LiftSlide and Bifold doors have unique requirements. Structural headers that allow for deflection no greater than 1/8" along the unsupported length once the header is fully loaded are required. Special care needs to be taken when installing any unit including transoms above such large opening units.

Loewen is not responsible for site measurements or the determination of structural and architectural requirements for the installation of large opening products such as but not limited to, Liftslide and Bifold doors. Site specifications are the responsibility of building professionals or engineers to determine.

# BIFOLD DOOR SIZING CHARTS

www.loewen.com | 1.800.563.9367 | BIFOLD DOORS

					WIDTH					
R.O.					34 11/16" [881]	46 1/2" [1181]	60 3/16" [1529]	66 3/4" [1695]	72" [1829]	79 7/8" [2029]
	2 Panel Frame				33 15/16" [862]	45 3/4" [1162]	59 7/16" [1510]	66" [1676]	71 1/4" [1810]	79 1/8" [2010]
R.O.					50 11/16" [1287]	68 3/8" [1737]	88 15/16" [2259]	98 3/4" [2508]	106 5/8" [2709]	118 7/16" [3009]
	3 Panel Frame				49 15/16" [1268]	67 5/8" [1718]	88 3/16" [2240]	98" [2489]	105 7/8" [2690]	117 11/16" [2990]
R.O.					66 5/8" [1693]	90 1/4" [2293]	117 11/16" [2989]	130 3/4" [3321]	141 15/16" [3589]	157 1/16" [3989]
	4 Panel Frame				65 7/8" [1674]	89 1/2" [2274]	116 15/16" [2970]	130" [3302]	140 9/16" [3570]	156 5/16" [3970]
R.O.					82 5/8" [2099]	112 3/16" [2849]	146 7/16" [3719]	162 3/4" [4134]	175 15/16" [4469]	195 5/8" [4969]
	5 Panel Frame				81 7/8" [2080]	111 7/16" [2830]	145 11/16" [3700]	162" [4115]	175 3/16" [4450]	194 7/8" [4950]
R.O.					98 5/8" [2505]	134 1/16" [3405]	175 3/16" [4449]	194 3/4" [4947]	210 9/16" [5349]	234 3/16" [5949]
	6 Panel Frame				97 7/8" [2486]	133 5/16" [3386]	174 7/16" [4430]	194" [4928]	209 13/16" [5330]	233 7/16" [5930]
R.O.					114 5/8" [2911]	155 15/16" [3961]	203 7/8" [5179]	226 3/4" [5760]	245 1/4" [6229]	272 13/16" [6929]
	7 Panel Frame				113 7/8" [2892]	155 3/16" [3942]	203 1/8" [5160]	226" [5741]	244 1/28" [6210]	272 1/16" [6910]
R.O.					130 9/16" [3317]	177 13/16" [4517]	232 5/8" [5909]	258 3/4" [6573]	279 7/8" [7109]	311 3/8" [7909]
	8 Panel Frame				129 13/16" [3298]	177 1/16" [4498]	231 7/8" [5890]	258" [6554]	279 1/8" [7090]	310 5/8" [7890]
R.O.					146 9/16" [3723]	199 3/4" [5073]	261 3/8" [6639]	290 13/16" [7386]	314 1/2" [7989]	349 15/16" [8889]
	9 Panel Frame				145 13/16" [3704]	199" [5054]	260 5/8" [6620]	290 1/16" [7367]	313 3/4" [7970]	349 3/16" [8870]
R.O.					162 9/16" [4129]	221 5/8" [5629]	290 1/8" [7369]	322 13/16" [8199]	349 3/16" [8869]	388 9/16" [9869]
	10 Panel Frame				161 13/16" [4110]	220 7/8" [5610]	289 3/8" [7350]	322 1/16" [8180]	348 7/16" [8850]	387 13/16" [9850]
R.O.					178 9/16" [4535]	243 1/2" [6185]	318 7/8" [8099]	354 13/16" [9012]	383 13/16" [9749]	427 1/8" [10849]
	11 Panel Frame				177 13/16" [4516]	242 3/4" [6166]	318 1/8" [8080]	354 1/16" [8993]	383 1/16" [9730]	426 3/8" [10830]
R.O.					194 1/2" [4941]	265 3/8" [6741]	347 5/8" [8829]	386 13/16" [9825]	418 7/16" [10629]	465 11/16" [11829]
	12 Panel Frame				193 3/4" [4922]	264 5/8" [6722]	346 7/8" [8810]	386 1/16" [9806]	417 11/16" [10610]	464 15/16" [11810]
R.O.					210 1/2" [5347]	287 5/16" [7297]	376 5/16" [9559]	418 13/16" [10638]	453 1/8" [11509]	504 5/16" [12809]
	13 Panel Frame				209 3/4" [5328]	286 9/16" [7278]	375 9/16" [9540]	418 1/16" [10619]	452 3/8" [11490]	503 9/16" [12790]
R.O.					226 1/2" [5753]	309 3/16" [7853]	405 1/16" [10289]	450 13/16" [11451]	487 3/4" [12389]	542 7/8" [13789]
	14 Panel Frame				225 3/4" [5734]	308 7/16" [7834]	404 5/16" [10270]	450 1/16" [11432]	487" [12370]	542 1/8" [13770]
R.O.					242 1/2" [6159]	331 1/16" [8409]	433 13/16" [11019]	482 13/16" [12264]	522 3/8" [13269]	581 7/16" [14768]
	15 Panel Frame				241 3/4" [6140]	330 5/16" [8390]	433 1/16" [11000]	482 1/16" [12245]	521 5/8" [13250]	580 11/16" [14750]
R.O.					258 7/16" [6565]	352 15/16" [8965]	462 9/16" [11749]	514 13/16" [13077]	557 1/16" [14149]	620" [15749]
	16 Panel Frame				257 11/16" [6546]	352 3/16" [8946]	461 13/16" [11730]	514 1/16" [13058]	556 5/16" [14130]	619 1/4" [15730]
				15 13/16" [402]	21 3/4" [552]	28 9/16" [726]	31 7/8" [809]	34 1/2" [876]	38 7/16" [976]	
R.O	Frame	Panel	Visible	7 3/16" [182]	13 1/16" [332]	19 15/16" [506]	23 3/16" [589]	25 13/16" [656]	29 3/4" [756]	
81 5/16 [2066]	80 9/16 [2047]	76 1/8 [1933]	63 7/8 [1623]	BiFold	BiFold	BiFold	BiFold	BiFold	BiFold	
83 1/8 [2111]	82 3/8 [2092]	77 7/8 [1978]	65 11/16 [1668]	BiFold	BiFold	BiFold	BiFold	BiFold	BiFold	
87 13/16 [2230]	87 1/16 [2211]	82 9/16 [2097]	70 3/8 [1787]	BiFold	BiFold	BiFold	BiFold	BiFold	BiFold	
96 5/16 [2446]	95 9/16 [2427]	91 1/16 [2313]	78 7/8 [2003]	BiFold	BiFold	BiFold	BiFold	BiFold	BiFold	
99 3/16 [2520]	98 7/16 [2501]	94 [2387]	81 3/4 [2077]	BiFold	BiFold	BiFold	BiFold	BiFold	BiFold	
100 7/8 [2562]	100 1/8 [2543]	95 5/8 [2429]	83 7/16 [2119]	BiFold	BiFold	BiFold	BiFold	BiFold	BiFold	
108 1/8 [2746]	107 3/8 [2727]	102 7/8 [2613]	90 11/16 [2303]	BiFold	BiFold	BiFold	BiFold	BiFold	BiFold	

R.O. = Frame Height + 3/4" [19 mm] • Note: Bifold doors using standard TD panels will be 1 1/16" [27 mm] higher than standard TD/FD units. If astragal is used for TwinPoint lock add 1" to frame width.

Note: • The preparation of the rough opening for large openings such as those required by, but not limited to, LiftSlide and Bifold doors have unique requirements. Structural headers that allow for deflection no greater than 1/8" along the unsupported length once the header is fully loaded are required. Special care needs to be taken when installing any unit including transoms above such large opening units.  
Loewen is not responsible for site measurements or the determination of structural and architectural requirements for the installation of large opening products such as but not limited to, Liftslide and Bifold doors. Site specifications are the responsibility of building professionals or engineers to determine.



# 3" NARROW STILE BIFOLD DOOR SIZING CHARTS

		WIDTH							
R.O.		34 11/16" [881]	46 1/2" [1181]	60 3/16" [1529]	66 3/4" [1695]	72" [1829]	79 7/8" [2029]		
	2 Panel Frame	33 15/16" [862]	45 3/4" [1162]	59 7/16" [1510]	66" [1676]	71 1/4" [1810]	79 1/8" [2010]		
R.O.		50 11/16" [1287]	68 3/8" [1737]	88 15/16" [2259]	98 3/4" [2508]	106 5/8" [2709]	118 7/16" [3009]		
	3 Panel Frame	49 15/16" [1268]	67 5/8" [1718]	88 3/16" [2240]	98" [2489]	105 7/8" [2690]	117 11/16" [2990]		
R.O.		66 5/8" [1693]	90 1/4" [2293]	117 11/16" [2989]	130 3/4" [3321]	141 15/16" [3589]	157 1/16" [3989]		
	4 Panel Frame	65 7/8" [1674]	89 1/2" [2274]	116 15/16" [2970]	130" [3302]	140 9/16" [3570]	156 5/16" [3970]		
R.O.		82 5/8" [2099]	112 3/16" [2849]	146 7/16" [3719]	162 3/4" [4134]	175 15/16" [4469]	195 5/8" [4969]		
	5 Panel Frame	81 7/8" [2080]	111 7/16" [2830]	145 11/16" [3700]	162" [4115]	175 3/16" [4450]	194 7/8" [4950]		
R.O.		98 5/8" [2505]	134 1/16" [3405]	175 3/16" [4449]	194 3/4" [4947]	210 9/16" [5349]	234 3/16" [5949]		
	6 Panel Frame	97 7/8" [2486]	133 5/16" [3386]	174 7/16" [4430]	194" [4928]	209 13/16" [5330]	233 7/16" [5930]		
R.O.		114 5/8" [2911]	155 15/16" [3961]	203 7/8" [5179]	226 3/4" [5760]	245 1/4" [6229]	272 13/16" [6929]		
	7 Panel Frame	113 7/8" [2892]	155 3/16" [3942]	203 1/8" [5160]	226" [5741]	244 1/28" [6210]	272 1/16" [6910]		
R.O.		130 9/16" [3317]	177 13/16" [4517]	232 5/8" [5909]	258 3/4" [6573]	279 7/8" [7109]	311 3/8" [7909]		
	8 Panel Frame	129 13/16" [3298]	177 1/16" [4498]	231 7/8" [5890]	258" [6554]	279 1/8" [7090]	310 5/8" [7890]		
R.O.		146 9/16" [3723]	199 3/4" [5073]	261 3/8" [6639]	290 13/16" [7386]	314 1/2" [7989]	349 15/16" [8889]		
	9 Panel Frame	145 13/16" [3704]	199" [5054]	260 5/8" [6620]	290 1/16" [7367]	313 3/4" [7970]	349 3/16" [8870]		
R.O.		162 9/16" [4129]	221 5/8" [5629]	290 1/8" [7369]	322 13/16" [8199]	349 3/16" [8869]	388 9/16" [9869]		
	10 Panel Frame	161 13/16" [4110]	220 7/8" [5610]	289 3/8" [7350]	322 1/16" [8180]	348 7/16" [8850]	387 13/16" [9850]		
R.O.		178 9/16" [4535]	243 1/2" [6185]	318 7/8" [8099]	354 13/16" [9012]	383 13/16" [9749]	427 1/8" [10849]		
	11 Panel Frame	177 13/16" [4516]	242 3/4" [6166]	318 1/8" [8080]	354 1/16" [8993]	383 1/16" [9730]	426 3/8" [10830]		
R.O.		194 1/2" [4941]	265 3/8" [6741]	347 5/8" [8829]	386 13/16" [9825]	418 7/16" [10629]	465 11/16" [11829]		
	12 Panel Frame	193 3/4" [4922]	264 5/8" [6722]	346 7/8" [8810]	386 1/16" [9806]	417 11/16" [10610]	464 15/16" [11810]		
R.O.		210 1/2" [5347]	287 5/16" [7297]	376 5/16" [9559]	418 13/16" [10638]	453 1/8" [11509]	504 5/16" [12809]		
	13 Panel Frame	209 3/4" [5328]	286 9/16" [7278]	375 9/16" [9540]	418 1/16" [10619]	452 3/8" [11490]	503 9/16" [12790]		
R.O.		226 1/2" [5753]	309 3/16" [7853]	405 1/16" [10289]	450 13/16" [11451]	487 3/4" [12389]	542 7/8" [13789]		
	14 Panel Frame	225 3/4" [5734]	308 7/16" [7834]	404 5/16" [10270]	450 1/16" [11432]	487" [12370]	542 1/8" [13770]		
R.O.		242 1/2" [6159]	331 1/16" [8409]	433 13/16" [11019]	482 13/16" [12264]	522 3/8" [13269]	581 7/16" [14768]		
	15 Panel Frame	241 3/4" [6140]	330 5/16" [8390]	433 1/16" [11000]	482 1/16" [12245]	521 5/8" [13250]	580 11/16" [14750]		
R.O.		258 7/16" [6565]	352 15/16" [8965]	462 9/16" [11749]	514 13/16" [13077]	557 1/16" [14149]	620" [15749]		
	16 Panel Frame	257 11/16" [6546]	352 3/16" [8946]	461 13/16" [11730]	514 1/16" [13058]	556 5/16" [14130]	619 1/4" [15730]		
			15 13/16" [402]	21 3/4" [552]	28 9/16" [726]	31 7/8" [809]	34 1/2" [876]	38 7/16" [976]	
R.O.	Frame	Panel	Visible	9 15/16" [252]	15 13/16" [402]	22 11/16" [576]	25 15/16" [659]	28 9/16" [726]	32 1/2" [826]
81 5/16 [2066]	80 9/16 [2047]	76 1/8 [1933]	63 7/8 [1623]	BiFold 3" Narrow Stile	BiFold 3" Narrow Stile	BiFold 3" Narrow Stile	BiFold 3" Narrow Stile	BiFold 3" Narrow Stile	BiFold 3" Narrow Stile
83 1/8 [2111]	82 3/8 [2092]	77 7/8 [1978]	65 11/16 [1668]	BiFold 3" Narrow Stile	BiFold 3" Narrow Stile	BiFold 3" Narrow Stile	BiFold 3" Narrow Stile	BiFold 3" Narrow Stile	BiFold 3" Narrow Stile
87 13/16 [2230]	87 1/16 [2211]	82 9/16 [2097]	70 3/8 [1787]	BiFold 3" Narrow Stile	BiFold 3" Narrow Stile	BiFold 3" Narrow Stile	BiFold 3" Narrow Stile	BiFold 3" Narrow Stile	BiFold 3" Narrow Stile
96 5/16 [2446]	95 9/16 [2427]	91 1/16 [2313]	78 7/8 [2003]	BiFold 3" Narrow Stile	BiFold 3" Narrow Stile	BiFold 3" Narrow Stile	BiFold 3" Narrow Stile	BiFold 3" Narrow Stile	BiFold 3" Narrow Stile
99 3/16 [2520]	98 7/16 [2501]	94 [2387]	81 3/4 [2077]	BiFold 3" Narrow Stile	BiFold 3" Narrow Stile	BiFold 3" Narrow Stile	BiFold 3" Narrow Stile	BiFold 3" Narrow Stile	BiFold 3" Narrow Stile
100 7/8 [2562]	100 1/8 [2543]	95 5/8 [2429]	83 7/16 [2119]	BiFold 3" Narrow Stile	BiFold 3" Narrow Stile	BiFold 3" Narrow Stile	BiFold 3" Narrow Stile	BiFold 3" Narrow Stile	BiFold 3" Narrow Stile
108 1/8 [2746]	107 3/8 [2727]	102 7/8 [2613]	90 11/16 [2303]	BiFold 3" Narrow Stile	BiFold 3" Narrow Stile	BiFold 3" Narrow Stile	BiFold 3" Narrow Stile	BiFold 3" Narrow Stile	BiFold 3" Narrow Stile

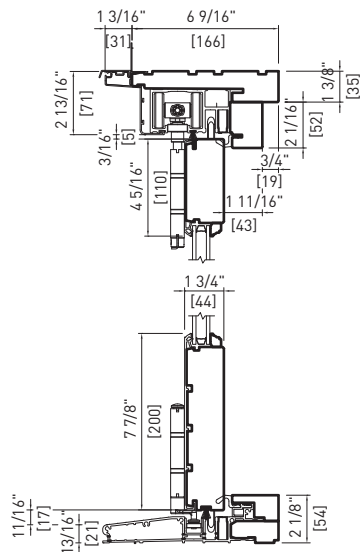
R.O. = Frame Height + 3/4" [19 mm] • Note: Bifold doors using standard TD panels will be 1 1/16" [27 mm] higher than standard TD/FD units. If astragal is used for TwinPoint lock add 1" to frame width.

Note: • The preparation of the rough opening for large openings such as those required by, but not limited to, LiftSlide and Bifold doors have unique requirements. Structural headers that allow for deflection no greater than 1/8" along the unsupported length once the header is fully loaded are required. Special care needs to be taken when installing any unit including transoms above such large opening units.

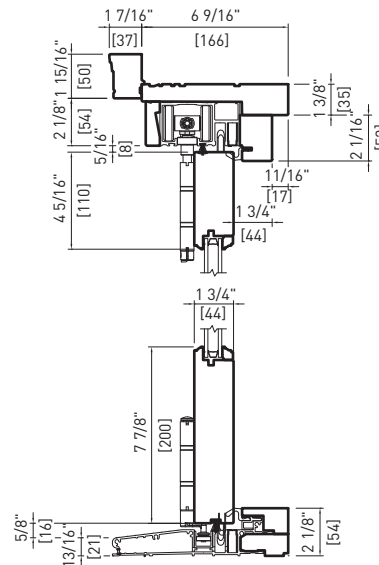
Loewen is not responsible for site measurements or the determination of structural and architectural requirements for the installation of large opening products such as but not limited to, Liftslide and Bifold doors. Site specifications are the responsibility of building professionals or engineers to determine.

# BIFOLD DOOR DETAIL STD

## HEAD & SILL DETAIL

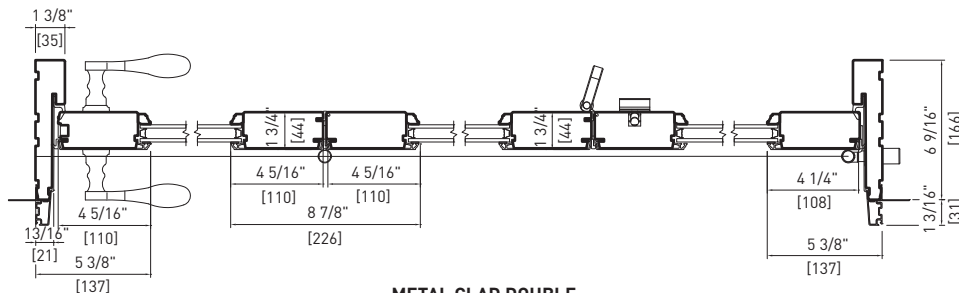


**METAL CLAD**  
6 9/16" (166 mm)

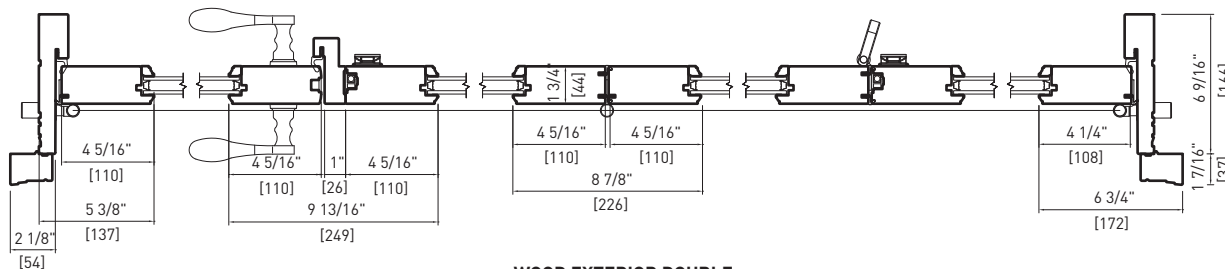


**WOOD EXTERIOR**  
6 9/16" (166 mm)

## PLAN VIEW



**METAL CLAD DOUBLE  
THREE PANEL**  
6 9/16" (166 mm)



**WOOD EXTERIOR DOUBLE  
FOUR PANEL WITH TWINPOINT LOCKS**  
6 9/16" (166 mm)

Note: • Other jamb widths available.

• All dimensions to have +/- 1/16" [2 mm] tolerance.

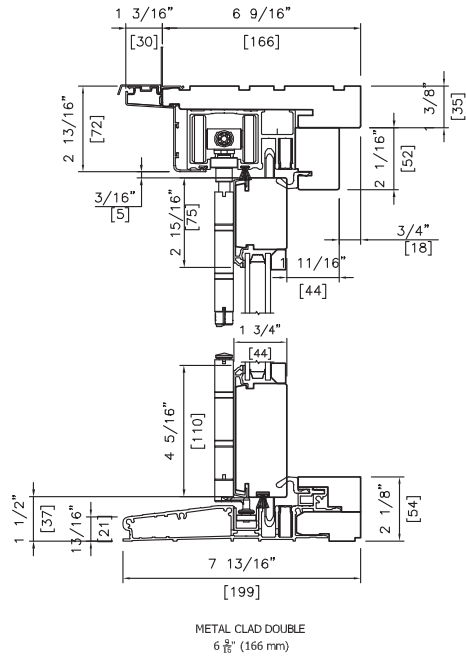
• The preparation of the rough opening for large openings such as those required by, but not limited to, LiftSlide and Bifold doors have unique requirements. Structural headers that allow for deflection no greater than 1/8" along the unsupported length once the header is fully loaded are required. Special care needs to be taken when installing any unit including transoms above such large opening units.

Loewen is not responsible for site measurements or the determination of structural and architectural requirements for the installation of large opening products such as but not limited to, LiftSlide and Bifold doors. Site specifications are the responsibility of building professionals or engineers to determine.

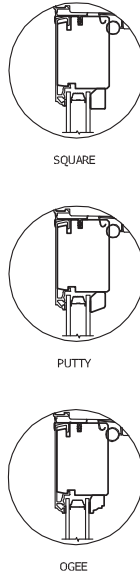


# 3" NARROW STILE BIFOLD DOOR DETAIL

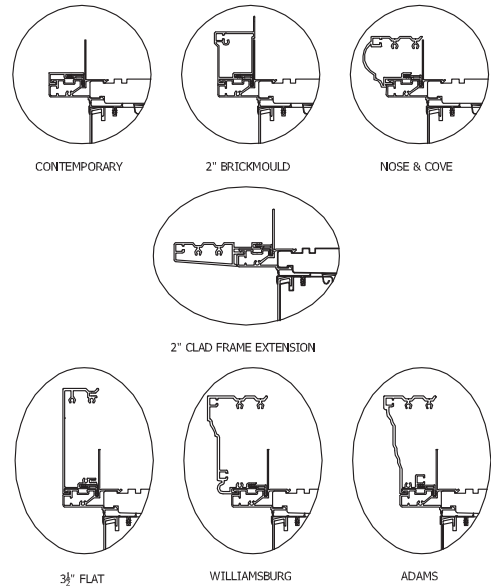
## HEAD & SILL DETAIL



## GLAZING STOP PROFILES

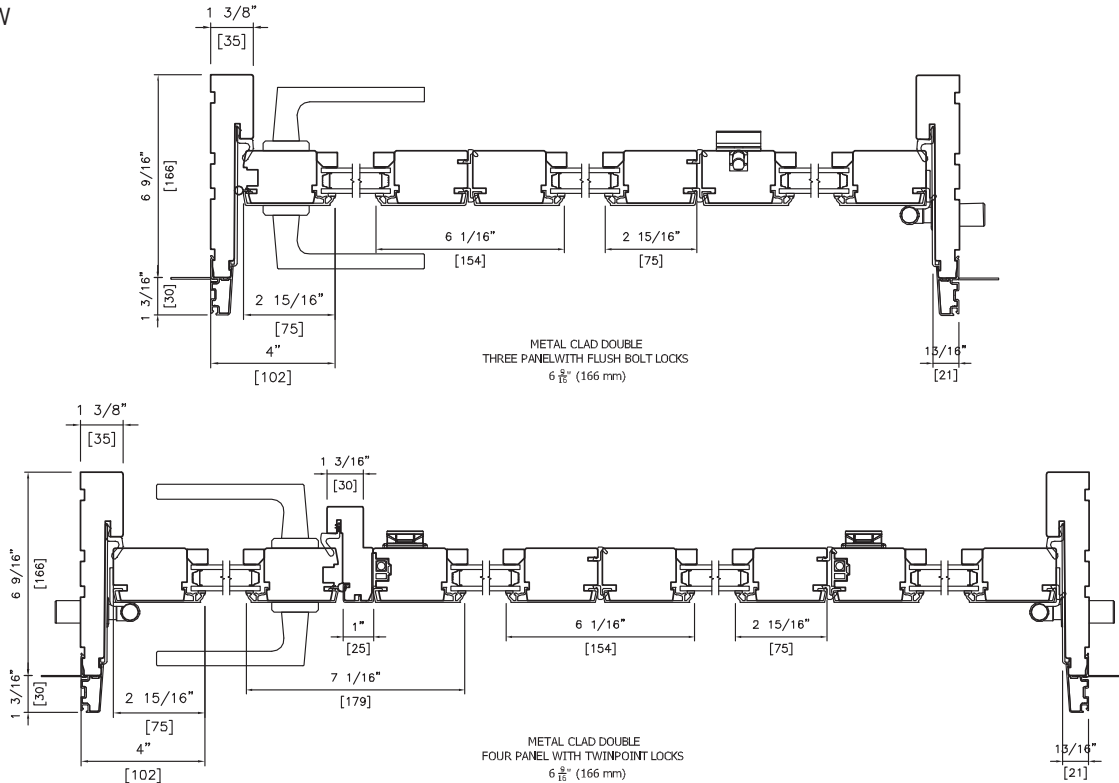


## CASING



SEE PAGE A26 FOR DIMENSIONS

## PLAN VIEW



Note: • Other jamb widths available.

• All dimensions to have +/- 1/16" [2 mm] tolerance.

• The preparation of the rough opening for large openings such as those required by, but not limited to, LiftSlide and Bifold doors have unique requirements. Structural headers that allow for deflection no greater than 1/8" along the unsupported length once the header is fully loaded are required. Special care needs to be taken when installing any unit including transoms above such large opening units.

Loewen is not responsible for site measurements or the determination of structural and architectural requirements for the installation of large opening products such as but not limited to, Liftslide and Bifold doors. Site specifications are the responsibility of building professionals or engineers to determine.

