

Technical Guide D

# Picture/Direct Set Windows



# Series 36 Picture/ Direct Set Window

**A streamlined solution  
for the modern  
contemporary market.**

This Picture Window is a brilliant redesign from its predecessors. With a larger glass area for enhanced viewing and a clean interior free from glazing stops, this new design will be the perfect addition to any contemporary project.

**Features**

- Exterior glazed for easier installation of oversized glass
- No interior glazing stops creates a clean aesthetic
- Larger glass for increased energy efficiency
- Available with 7/8" frame cladding or 1 1/8" frame cladding



Exterior Glazed

No Interior Glazing Stops

1 1/8" Frame  
Cladding Shown

## Product Features

### Standard Features

- Natural, clear Douglas Fir interior (no visible finger joints)
- 4 9/16" (116 mm) jamb construction
- LowE insulated glazing with 1/2" (13 mm) airspace
- Extruded aluminum cladding in a variety of standard colors, primed wood or clear fir exterior

### Simulated Divided Lites (SDL)

Ogee Profile — 3/4" (19 mm), 1 1/8" (30 mm), 2" (51 mm).

Putty Profile — 5/8" (16 mm), 7/8" (22 mm), 1 1/8" (30 mm), 2" (51 mm).

Square Profile (interior only) — 3/4" (19 mm), 7/8" (22 mm), 1 1/8" (30 mm), 2" (51 mm).

## Specifications

### Standards

Most units have been tested by an independent laboratory for air and water infiltration, structural performance and thermal performance requirements.

### Frame

Manufactured from Coastal Douglas Fir kiln-dried lumber with frame construction designed for 4 9/16" (116 mm) jamb. All wood exterior components are factory primed unless specified as clear exterior. Minor scratches or abrasions in the wood surface or primer are not considered defects.

### Alternate Species

The entire Loewen product line is also available in optional Mahogany.

### Preservative Treated

All wood parts are dipped in approved preservative.

### Glazing

With countless glazing configurations and LowE coating options, we ensure that you can choose the perfect blend of protection and comfort.

### Glazing

LowE Double, LowE Triple and StormForce™.

### Casing

Wood: 2" (51 mm) Brickmould, 3 1/2" (89 mm) Flat, 5 1/2" (139 mm) Flat, Adams and Williamsburg.

Metal Clad: 2" (51 mm) Brickmould, 3 1/2" (89 mm) Flat, 2" clad frame extension, Nose & Cove, Adams, Williamsburg and Kerf.

### Metal Clad Color Spectrum

All Palette colors, including anodized finishes. Available in Cyprium Collection™.

### Insulating Glass

Double or triple glass configurations with 1/2" (13 mm) airspace.

### LowE Systems

LowE best describes the benefits of the product that incorporates glazing coatings and Argon gas. LowE systems help reduce heating and cooling costs, providing superior energy efficiency.

### Simulated Divided Lites (SDL)

Standard SDL complete with airspace grilles. Grille bars are permanently applied to the interior and exterior.

### Metal Cladding

Heavy duty exterior metal cladding comprised of extruded aluminum is available in a variety of Palette colors, including anodized and Cyprium (copper and bronze cladding). Interior of window can be natural wood (unfinished) or primed. Metal clad units are supplied ready-to-install complete with integral metal nailing flange.



Picture/Direct Set

### Picture/ Direct Set

VARIABLES	
<b>Durability</b>	
Low Maintenance Metal Clad Exterior	●
Clear Douglas Fir Exterior Finish	○
Clear Mahogany Exterior Finish	○
Primed Exterior Finish	○
Cyprium Collection	○
<b>Performance</b>	
LowE Double	●
LowE Triple	○
StormForce™	○
<b>Appearance</b>	
SDL	○

● Standard ○ Optional

## Picture/Direct Set Window Sizes

Rough Opening		Width									
		Frame		16 1/2 [419]	20 7/16 [519]	24 3/8 [619]	28 5/16 [719]	30 1/4 [769]	32 1/4 [819]	36 3/16 [919]	40 1/8 [1019]
		Wood Exterior	Metal Clad	Visible Glass	11 5/8 [296]	15 9/16 [396]	19 1/2 [496]	23 7/16 [596]	25 7/16 [646]	27 3/8 [696]	31 5/16 [796]
13 1/4 [336]	12 9/16 [319]	11 13/16 [300]	7 11/16 [196]	PS1 0403	PS1 0503	PS1 0603	PS1 0703	PS1 7503	PS1 0803	PS1 0903	PS1 1003
17 3/16 [436]	16 1/2 [419]	15 3/4 [400]	11 5/8 [296]	PS1 0404	PS1 0504	PS1 0604	PS1 0704	PS1 7504	PS1 0804	PS1 0904	PS1 1004
21 1/8 [536]	20 7/16 [519]	19 11/16 [500]	15 9/16 [396]	PS1 0405	PS1 0505	PS1 0605	PS1 0705	PS1 7505	PS1 0805	PS1 0905	PS1 1005
25 1/16 [636]	24 3/8 [619]	23 5/8 [600]	19 1/2 [496]	PS1 0406	PS1 0506	PS1 0606	PS1 0706	PS1 7506	PS1 0806	PS1 0906	PS1 1006
29 [736]	28 5/16 [719]	27 9/16 [700]	23 7/16 [596]	PS1 0407	PS1 0507	PS1 0607	PS1 0707	PS1 7507	PS1 0807	PS1 0907	PS1 1007
30 15/16 [786]	30 1/4 [769]	29 1/2 [750]	25 7/16 [646]	PS1 0475	PS1 0575	PS1 0675	PS1 0775	PS1 7575	PS1 0875	PS1 0975	PS1 1075
32 15/16 [836]	32 1/4 [819]	31 1/2 [800]	27 3/8 [696]	PS1 0408	PS1 0508	PS1 0608	PS1 0708	PS1 7508	PS1 0808	PS1 0908	PS1 1008
36 7/8 [936]	36 3/16 [919]	35 7/16 [900]	31 5/16 [796]	PS1 0409	PS1 0509	PS1 0609	PS1 0709	PS1 7509	PS1 0809	PS1 0909	PS1 1009
40 13/16 [1036]	40 1/8 [1019]	39 3/8 [1000]	35 1/4 [896]	PS1 0410	PS1 0510	PS1 0610	PS1 0710	PS1 7510	PS1 0810	PS1 0910	PS1 1010
48 11/16 [1236]	48 [1219]	47 1/4 [1200]	43 1/8 [1096]	PS1 0412	PS1 0512	PS1 0612	PS1 0712	PS1 7512	PS1 0812	PS1 0912	PS1 1012
56 9/16 [1436]	55 7/8 [1419]	55 1/8 [1400]	51 [1296]	PS1 0414	PS1 0514	PS1 0614	PS1 0714	PS1 7514	PS1 0814	PS1 0914	PS1 1014
60 1/2 [1536]	59 13/16 [1519]	59 1/16 [1500]	54 15/16 [1396]	PS1 0415	PS1 0515	PS1 0615	PS1 0715	PS1 7515	PS1 0815	PS1 0915	PS1 1015
64 7/16 [1636]	63 3/4 [1619]	63 [1600]	58 7/8 [1496]	PS1 0416	PS1 0516	PS1 0616	PS1 0716	PS1 7516	PS1 0816	PS1 0916	PS1 1016
72 5/16 [1836]	71 5/8 [1819]	70 7/8 [1800]	66 [1696]	PS1 0418	PS1 0518	PS1 0618	PS1 0718	PS1 7518	PS1 0818	PS1 0918	PS1 1018
84 1/8 [2136]	83 7/16 [2119]	82 11/16 [2100]	78 9/16 [1996]	PS1 0421	PS1 0521	PS1 0621	PS1 0721	PS1 7521	PS1 0821	PS1 0921	PS1 1021
95 15/16 [2436]	95 1/4 [2419]	94 1/2 [2400]	90 3/8 [2296]		PS1 0524	PS1 0624	PS1 0724	PS1 7524	PS1 0824	PS1 0924	PS1 1024
119 9/16 [3036]	118 7/8 [3019]	118 1/8 [3000]	114 [2896]			PS1 0630	PS1 0730	PS1 7530	PS1 0830	PS1 0930	PS1 1030

Height

Product Code

Glass Size = Visible Glass + 15/16" (24 mm)

Standard sizes Shown. Additional sizes may be available. Custom sizes can be ordered.

Note: • For Masonry opening information see Section A.

## Picture/Direct Set Window Sizes

Rough Opening		Width											
		Frame		Visible Glass								Product Code	
				48 [1219]	55 7/8 [1419]	59 13/16 [1519]	63 3/4 [1619]	71 5/8 [1819]	83 7/16 [2119]	95 1/4 [2419]	118 7/8 [3019]		
Wood Exterior	Metal Clad	47 1/4 [1200]	55 1/8 [1400]	59 1/16 [1500]	63 [1600]	70 7/8 [1800]	82 11/16 [2100]	94 1/2 [2400]	118 1/8 [3000]				
				43 1/8 [1096]	51 [1296]	54 15/16 [1396]	58 7/8 [1496]	66 [1696]	78 9/16 [1996]	90 3/8 [2296]	114 [2896]		
13 1/4 [336]	12 9/16 [319]	11 13/16 [300]	7 11/16 [196]	PS1 1203	PS1 1403	PS1 1503	PS1 1603	PS1 1803	PS1 2103				
17 3/16 [436]	16 1/2 [419]	15 3/4 [400]	11 5/8 [296]	PS1 1204	PS1 1404	PS1 1504	PS1 1604	PS1 1804	PS1 2104				
21 1/8 [536]	20 7/16 [519]	19 11/16 [500]	15 9/16 [396]	PS1 1205	PS1 1405	PS1 1505	PS1 1605	PS1 1805	PS1 2105	PS1 2405			
25 1/16 [636]	24 3/8 [619]	23 5/8 [600]	19 1/2 [496]	PS1 1206	PS1 1406	PS1 1506	PS1 1606	PS1 1806	PS1 2106	PS1 2406	PS1 3006		
29 [736]	28 5/16 [719]	27 9/16 [700]	23 7/16 [596]	PS1 1207	PS1 1407	PS1 1507	PS1 1607	PS1 1807	PS1 2107	PS1 2407	PS1 3007		
30 15/16 [786]	30 1/4 [769]	29 1/2 [750]	25 7/16 [646]	PS1 1275	PS1 1475	PS1 1575	PS1 1675	PS1 1875	PS1 2175	PS1 2475	PS1 3075		
32 15/16 [836]	32 1/4 [819]	31 1/2 [800]	27 3/8 [696]	PS1 1208	PS1 1408	PS1 1508	PS1 1608	PS1 1808	PS1 2108	PS1 2408	PS1 3008		
36 7/8 [936]	36 3/16 [919]	35 7/16 [900]	31 5/16 [796]	PS1 1209	PS1 1409	PS1 1509	PS1 1609	PS1 1809	PS1 2109	PS1 2409	PS1 3009		
40 13/16 [1036]	40 1/8 [1019]	39 3/8 [1000]	35 1/4 [896]	PS1 1210	PS1 1410	PS1 1510	PS1 1610	PS1 1810	PS1 2110	PS1 2410	PS1 3010		
48 11/16 [1236]	48 [1219]	47 1/4 [1200]	43 1/8 [1096]	PS1 1212	PS1 1412	PS1 1512	PS1 1612	PS1 1812	PS1 2112	PS1 2412	PS1 3012		
56 9/16 [1436]	55 7/8 [1419]	55 1/8 [1400]	51 [1296]	PS1 1214	PS1 1414	PS1 1514	PS1 1614	PS1 1814	PS1 2114	PS1 2414	PS1 3014		
60 1/2 [1536]	59 13/16 [1519]	59 1/16 [1500]	54 15/16 [1396]	PS1 1215	PS1 1415	PS1 1515	PS1 1615	PS1 1815	PS1 2115	PS1 2415	PS1 3015		
64 7/16 [1636]	63 3/4 [1619]	63 [1600]	58 7/8 [1496]	PS1 1216	PS1 1416	PS1 1516	PS1 1616	PS1 1816	PS1 2116	PS1 2416	PS1 3016		
72 5/16 [1836]	71 5/8 [1819]	70 7/8 [1800]	66 [1696]	PS1 1218	PS1 1418	PS1 1518	PS1 1618	PS1 1818	PS1 2118	PS1 2418	PS1 3018		
84 1/8 [2136]	83 7/16 [2119]	82 11/16 [2100]	78 9/16 [1996]	PS1 1221	PS1 1421	PS1 1521	PS1 1621	PS1 1821	PS1 2121	PS1 2421			
95 15/16 [2436]	95 1/4 [2419]	94 1/2 [2400]	90 3/8 [2296]	PS1 1224	PS1 1424	PS1 1524	PS1 1624	PS1 1824	PS1 2124				
119 9/16 [3036]	118 7/8 [3019]	118 1/8 [3000]	114 [2896]	PS1 1230	PS1 1430	PS1 1530	PS1 1630	PS1 1830					

Product Code

Glass Size = Visible Glass + 15/16" (24 mm)

Standard sizes Shown. Additional sizes may be available. Custom sizes can be ordered.

Note: • For Masonry opening information see Section A.

## Picture/Direct Set 2 Wide Window Sizes

Rough Opening				Width										
				Frame		Visible Glass						Product Code		
						48 [1219]	55 7/8 [1419]	59 13/16 [1519]	63 3/4 [1619]	71 5/8 [1819]	79 1/2 [2019]			95 1/4 [2419]
Wood Exterior	Metal Clad	47 1/4 [1200]	55 1/8 [1400]	59 1/16 [1500]	63 [1600]	70 7/8 [1800]	78 3/4 [2000]	94 1/2 [2400]						
						19 1/2 [496]	23 7/16 [596]	25 7/16 [646]	27 3/8 [696]	31 5/16 [796]	35 1/4 [896]	43 1/8 [1096]		
25 1/16 [636]	24 3/8 [619]	23 5/8 [600]	19 1/2 [496]	PS2 1206	PS2 1406	PS2 1506	PS2 1606	PS2 1806	PS2 2006	PS2 2406				
29 [736]	28 5/16 [719]	27 9/16 [700]	23 7/16 [596]	PS2 1207	PS2 1407	PS2 1507	PS2 1607	PS2 1807	PS2 2007	PS2 2407				
30 15/16 [786]	30 1/4 [769]	29 1/2 [750]	25 7/16 [646]	PS2 1275	PS2 1475	PS2 1575	PS2 1675	PS2 1875	PS2 2075	PS2 2475				
32 15/16 [836]	32 1/4 [819]	31 1/2 [800]	27 3/8 [696]	PS2 1208	PS2 1408	PS2 1508	PS2 1608	PS2 1808	PS2 2008	PS2 2408				
36 7/8 [936]	36 3/16 [919]	35 7/16 [900]	31 5/16 [796]	PS2 1209	PS2 1409	PS2 1509	PS2 1609	PS2 1809	PS2 2009	PS2 2409				
40 13/16 [1036]	40 1/8 [1019]	39 3/8 [1000]	35 1/4 [896]	PS2 1210	PS2 1410	PS2 1510	PS2 1610	PS2 1810	PS2 2010	PS2 2410				
48 11/16 [1236]	48 [1219]	47 1/4 [1200]	43 1/8 [1096]	PS2 1212	PS2 1412	PS2 1512	PS2 1612	PS2 1812	PS2 2012	PS2 2412				
56 9/16 [1436]	55 7/8 [1419]	55 1/8 [1400]	51 [1296]	PS2 1214	PS2 1414	PS2 1514	PS2 1614	PS2 1814	PS2 2014	PS2 2414				
60 1/2 [1536]	59 13/16 [1519]	59 1/16 [1500]	54 15/16 [1396]	PS2 1215	PS2 1415	PS2 1515	PS2 1615	PS2 1815	PS2 2015	PS2 2415				
64 7/16 [1636]	63 3/4 [1619]	63 [1600]	58 7/8 [1496]	PS2 1216	PS2 1416	PS2 1516	PS2 1616	PS2 1816	PS2 2016	PS2 2416				
72 5/16 [1836]	71 5/8 [1819]	70 7/8 [1800]	66 [1696]	PS2 1218	PS2 1418	PS2 1518	PS2 1618	PS2 1818	PS2 2018	PS2 2418				
84 1/8 [2136]	83 7/16 [2119]	82 11/16 [2100]	78 9/16 [1996]	PS2 1221	PS2 1421	PS2 1521	PS2 1621	PS2 1821	PS2 2021	PS2 2421				

Product Code

Glass Size = Visible Glass + 15/16" (24 mm)

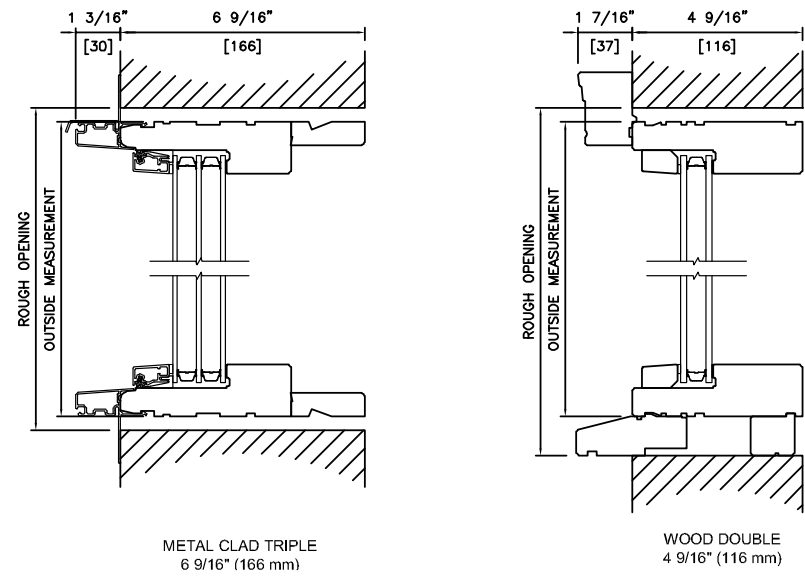
Standard sizes Shown. Additional sizes may be available. Custom sizes can be ordered.

Note: • For Masonry opening information see Section A.



# Picture/Direct Set Window Wall Connection Detail

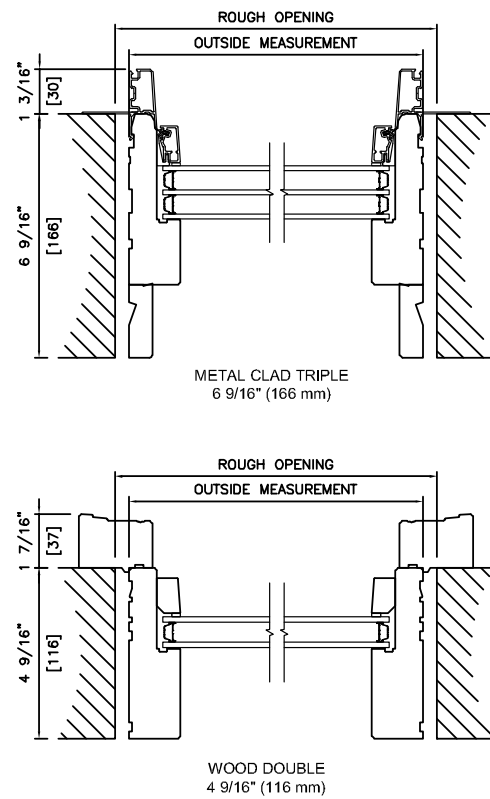
## Head & Sill Detail



METAL CLAD TRIPLE  
6 9/16" (166 mm)

WOOD DOUBLE  
4 9/16" (116 mm)

## Plan View



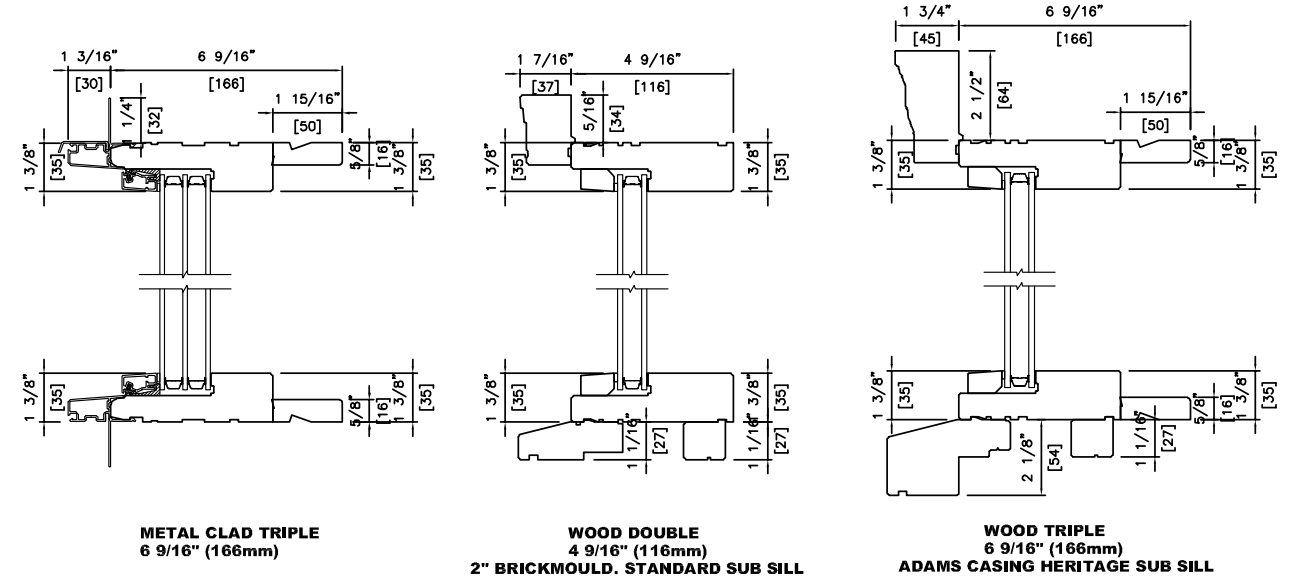
METAL CLAD TRIPLE  
6 9/16" (166 mm)

WOOD DOUBLE  
4 9/16" (116 mm)

Note: • Other jamb widths available.  
• All dimensions to have +/- 1/16" (2mm) tolerance.

# Picture/Direct Set Window Detail

## Head & Sill Detail

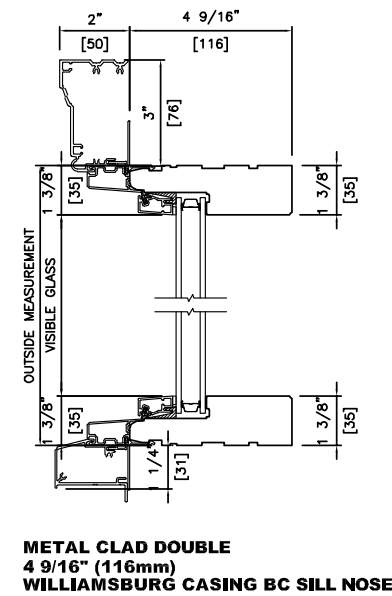


METAL CLAD TRIPLE  
6 9/16" (166 mm)

WOOD DOUBLE  
4 9/16" (116 mm)  
2" BRICKMOULD. STANDARD SUB SILL

WOOD TRIPLE  
6 9/16" (166 mm)  
ADAMS CASING HERITAGE SUB SILL

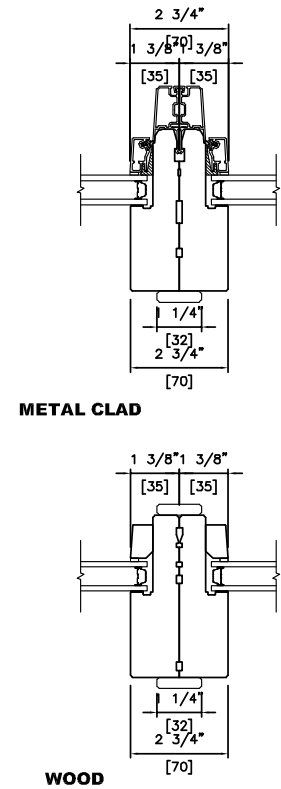
## Head & Sill Detail



METAL CLAD DOUBLE  
4 9/16" (116 mm)  
WILLIAMSBURG CASING BC SILL NOSE

Note: • Other jamb widths available.  
• All dimensions to have +/- 1/16" (2mm) tolerance.

## Plan View

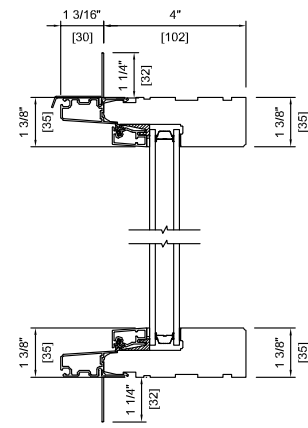


METAL CLAD

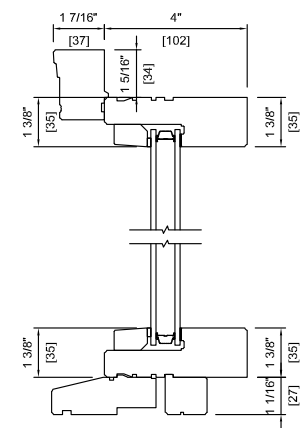
WOOD

# Picture/Direct Set Window - Cutdown Frame Detail

## Head & Sill Detail

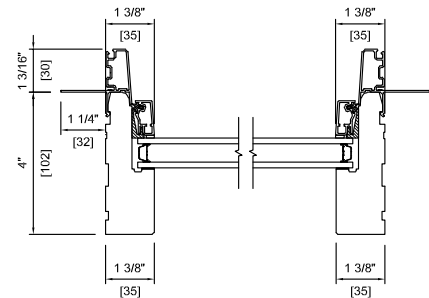


METAL CLAD DOUBLE  
4" (102 mm)

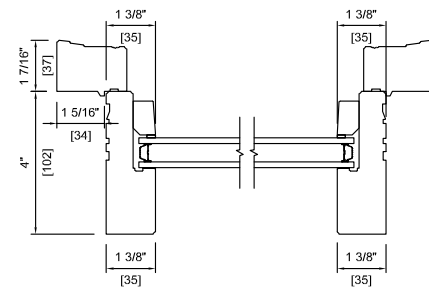


WOOD EXTERIOR DOUBLE  
4" (102 mm)  
2" BRICKMOULD STANDARD SUBSILL

## Plan View

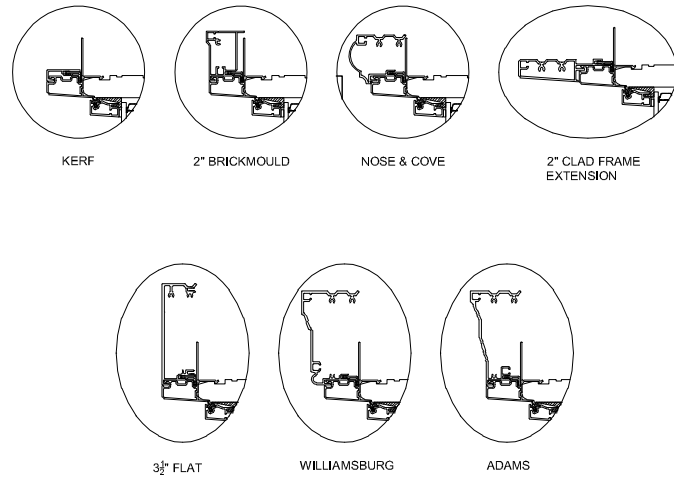


METAL CLAD DOUBLE  
3 1/4" (83 mm)



WOOD EXTERIOR DOUBLE  
3 1/4" (83 mm)

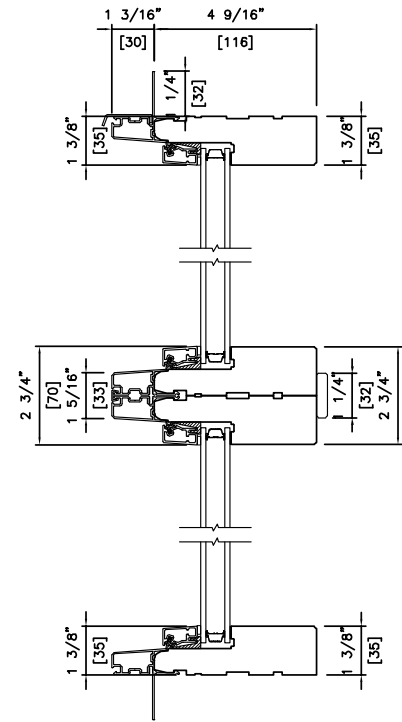
## Casing



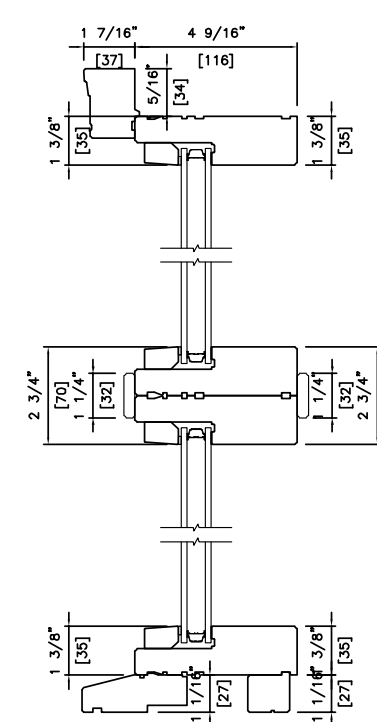
Note: • Other jamb widths available.  
• All dimensions to have +/- 1/16" (2mm) tolerance.

# Picture/Direct Set Window Transom Detail

## Head & Sill Detail



METAL CLAD  
PICTURE TRANSOM

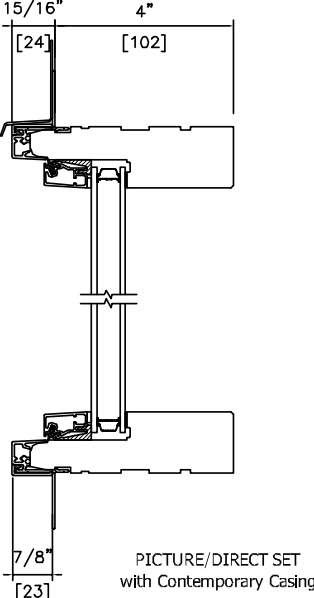


WOOD  
PICTURE TRANSOM

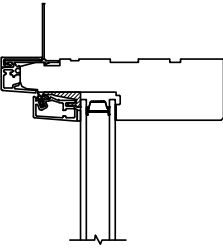
Note: • Other jamb widths available.  
• All dimensions to have +/- 1/16" (2mm) tolerance.

# Contemporary Frame Cladding Detail

## Head & Sill Detail



## Casing



PICTURE/DIRECT SET

## Notes

---

---

---

---

---

---

---

---

---

---

---

---

---

---

---

---

---

---

---

---

---

---

---

---

---

---

---

---

---

---

