

Technical Guide K

**Bifold
Doors**



Product Features

Standard Features

- Natural Douglas Fir interior [no visible finger joints]
- 6 9/16" [166 mm] jamb construction
- Multi-point locking hardware and easy operating flush bolts
- Concealed intermediate guide and sill drainage system
- Extruded aluminum cladding in a variety of standard colors, primed wood or clear Fir exterior
- Flexible weatherstrip system

Hardware

Multiple hardware type and finish choices are available. See the Hardware in section A for more information.

Glazing

LowE Double, LowE Triple.

Simulated Divided Lites (SDL)

Ogee Profile – 3/4" (19 mm), 1 1/8" (30 mm), 2" (51 mm)

Putty Profile – 5/8" (16 mm), 7/8" (22 mm), 1 1/8" (30 mm), 2" (51 mm)

Square Profile (interior only) – 3/4" (19 mm), 7/8" (22 mm), 1 1/8" (30 mm), 2" (51 mm)

Casing

Wood: 2" (51 mm) Brickmould, 3 1/2" (89 mm) Flat, 5 1/2" (139 mm) Flat, Adams and Williamsburg.

Metal Clad: 2" (51 mm) Brickmould, 3 1/2" (89 mm) Flat, 2" clad frame extension, Nose & Cove, Adams, Williamsburg and Kerf.

Metal Clad Color Spectrum

All Palette colors, including anodized finishes.



Douglas Fir Bifold Door
[3L1R interior view]

Bifold	
HARDWARE STYLES	
Multi-point Handle	●
Verona Handle	●
Meran Handle	●
Shropshire Handle	●
Churchill Handle	●
Athinia Handle	●
Rodos Handle	●
Dallas Handle	●
LOCKING HARDWARE	
Flush Bolts	●
Twin Point Lock	○

Bifold	
HINGES & FLUSH BOLTS - FINISH OPTIONS	
Bronze	○
Brushed Aluminum	○
Bright Brass	●
VARIABLES	
Function	
Use for Egress	●
Multi-point Hardware	●
Durability	
Clear Douglas Fir Exterior Finish	○
Clear Mahogany Exterior Finish	○
Primed Exterior Finish	○
Performance	
LowE Double	●
LowE Triple	○
Appearance	
SDL	○
Vertical Grain Fir Panel	●

● Standard ○ Optional

Specifications

Standards

Most individual units have been tested by an independent laboratory for air and water infiltration, structural performance and thermal performance requirements.

Panel & Frame

Manufactured with Coastal Douglas Fir. Bronze anodized aluminum door sill with bronze vinyl extrusion thermal break. All exterior wood components are factory primed unless specified as clear exterior. Minor scratches or abrasions are not considered defects.

Alternate Species

The entire Loewen product line is also available in optional Mahogany.

Preservative Treated

All wood parts are dipped in approved preservative.

Glazing

With countless glazing configurations and LowE coating options, we ensure that you can choose the perfect blend of protection and comfort.

Insulating Glass

Double or triple insulating tempered glass configuration with 1/2" (13 mm) airspace.

LowE Systems

LowE best describes the benefits of the product that incorporates glazing coatings and Argon gas. LowE systems help reduce heating and cooling costs, providing superior energy efficiency.

Simulated Divided Lites (SDL)

Standard SDL complete with airspace grilles. Grille bars are permanently applied to the interior and exterior.

Metal Cladding

Heavy duty exterior metal cladding comprised of extruded aluminum is available in a variety of Palette colors, including anodized. Interior of panels can be natural wood (unfinished) or primed. Metal clad units are supplied ready-to-install complete with integral metal nailing flange.

Hardware

Multi-point locking hardware and manual flush bolts are standard. Optional keyed alike locks, concealed locking shoot bolts and low profile handles are available.

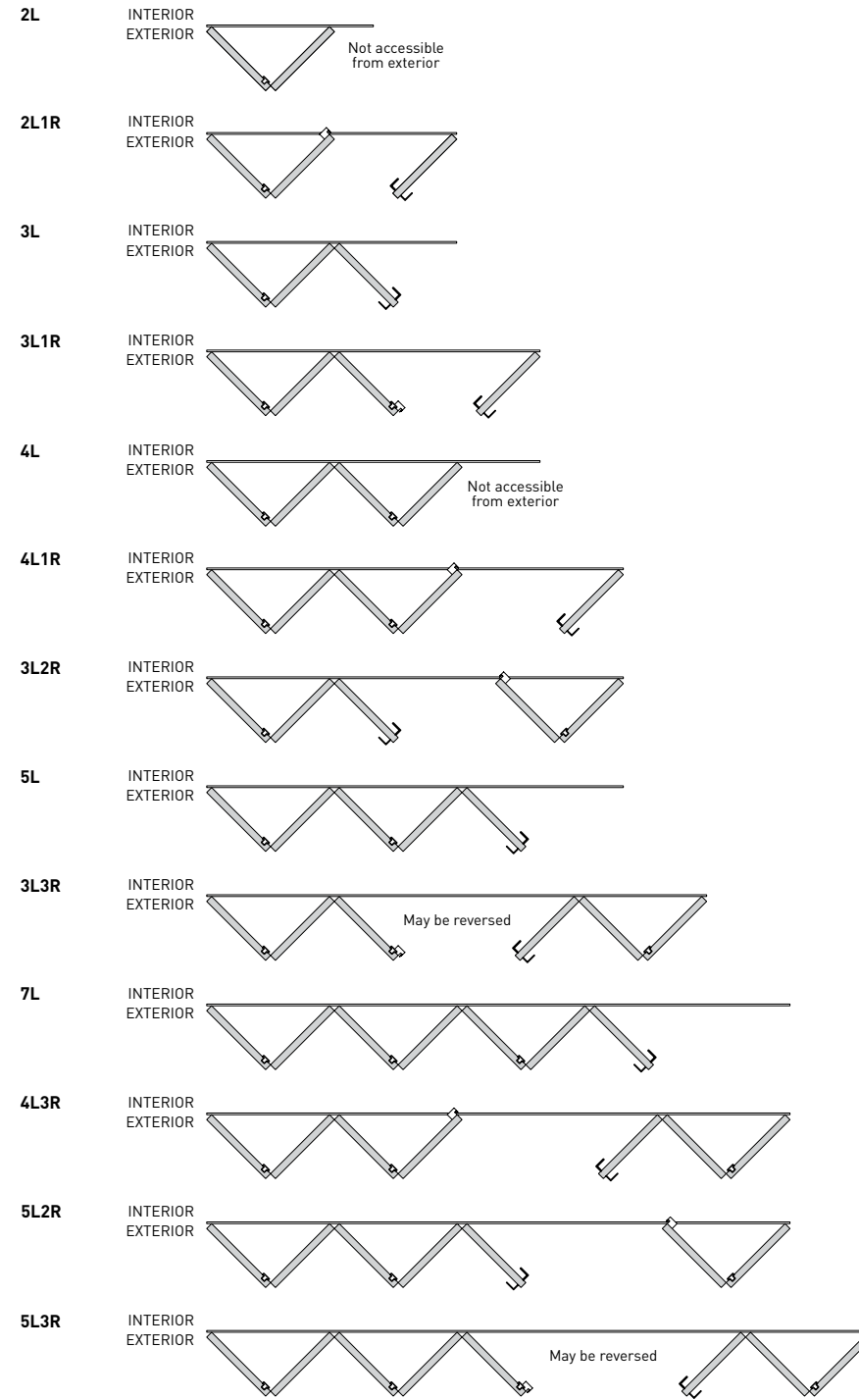
Weatherstrip

Bottom corners of the door are weatherstripped with a pile dust plug attached to the side jambs. Operating panels will be sealed with a wrapped foam weatherstrip at the head, side jambs and between panels to provide a tight seal.

Visit the Loewen Photo Gallery online at www.loewen.com for a large collection of Loewen product and elevation photography. Numerous custom window configuration opportunities exist – please contact your Authorized Loewen Dealer. Specifications and technical information are subject to change without notice. Imperial and metric measurements are converted accurately. However, in some cases, industry standards cause a 1 mm variance. (Example: 3/4" is shown as 19 mm for all glass measurements.) Cad Download: www.loewen.com/architect | Installation Instructions: www.loewen.com

Bifold Door Detail

Typical Bifold Configurations

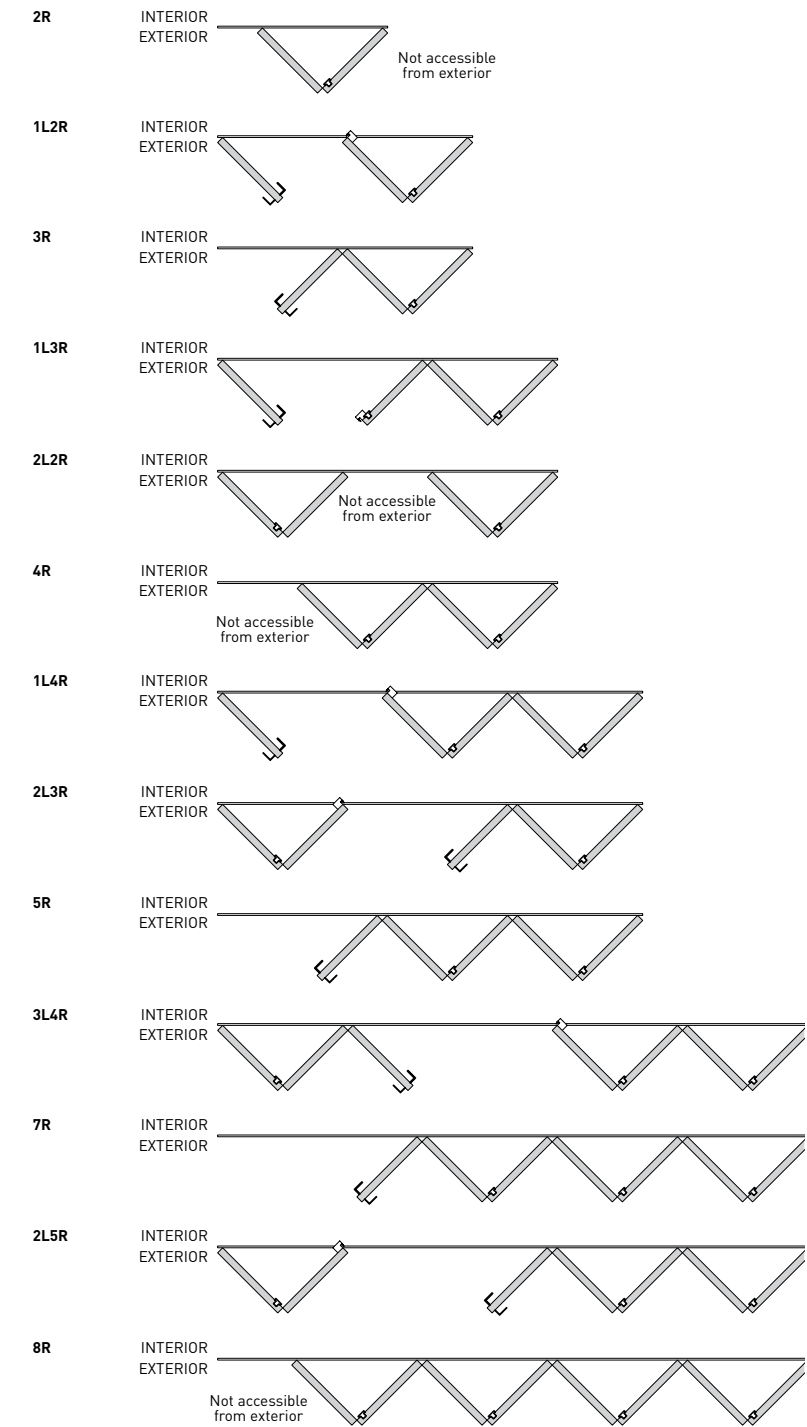


Note:

- The preparation of the rough opening for large openings such as those required by, but not limited to, LiftSlide, Bifold and MultiSlide doors have unique requirements. Structural headers that allow for deflection no greater than 1/8" along the unsupported length once the header is fully loaded are required. Special care needs to be taken when installing any unit including transoms above such large opening units.
- Loewen is not responsible for site measurements or the determination of structural and architectural requirements for the installation of large opening products such as but not limited to, LiftSlide, Bifold and MultiSlide doors. Site specifications are the responsibility of building professionals or engineers to determine.

Bifold Door Detail

Typical Bifold Configurations

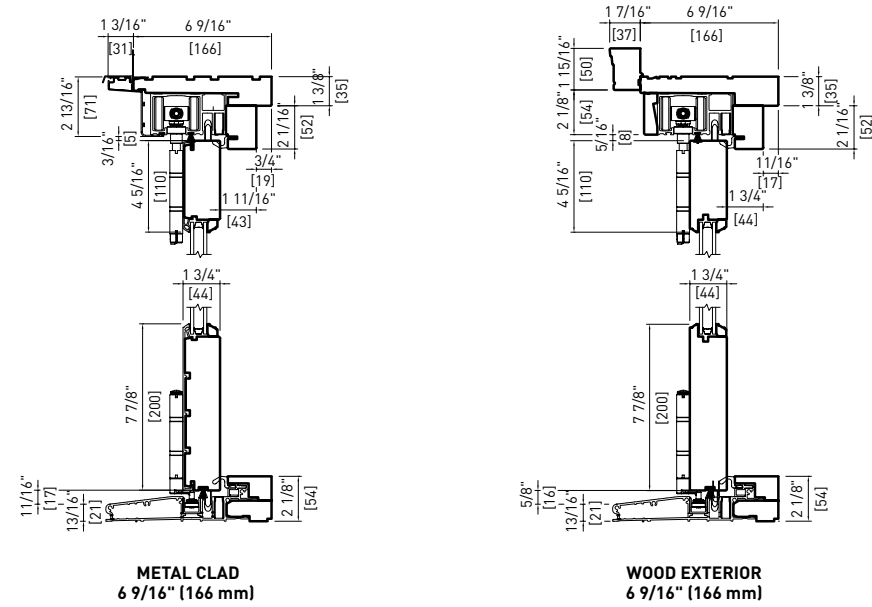


Note:

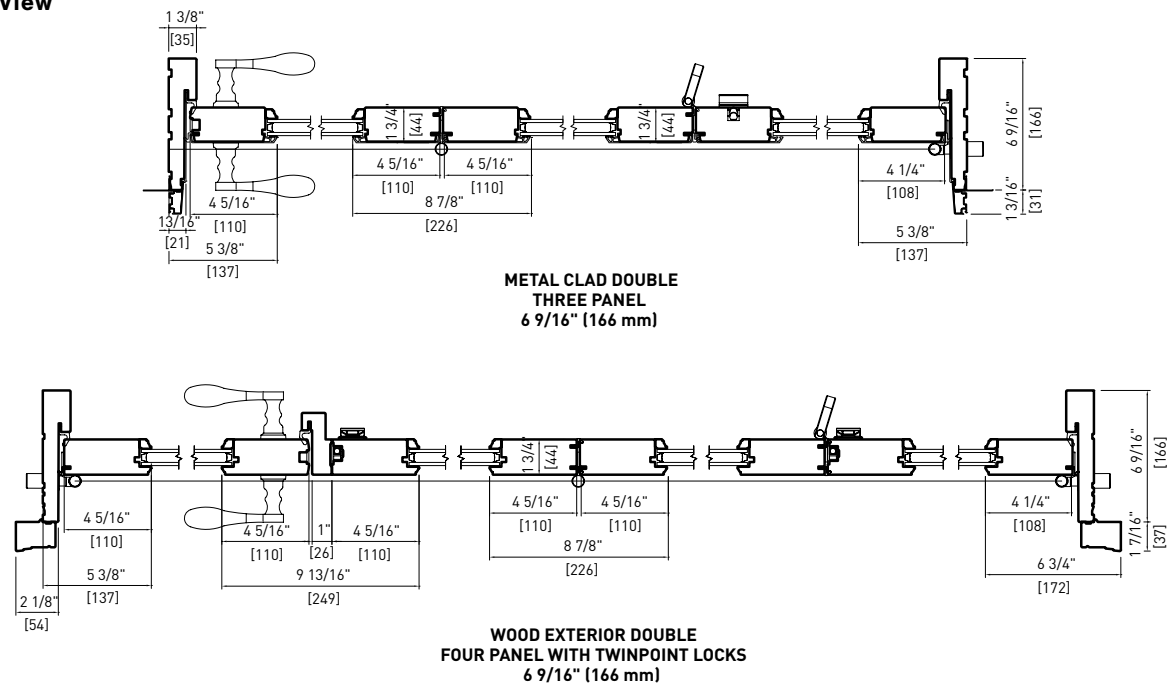
- The preparation of the rough opening for large openings such as those required by, but not limited to, LiftSlide, Bifold and MultiSlide doors have unique requirements. Structural headers that allow for deflection no greater than 1/8" along the unsupported length once the header is fully loaded are required. Special care needs to be taken when installing any unit including transoms above such large opening units.
- Loewen is not responsible for site measurements or the determination of structural and architectural requirements for the installation of large opening products such as but not limited to, LiftSlide, Bifold and MultiSlide doors. Site specifications are the responsibility of building professionals or engineers to determine.

Bifold Door Detail STD

Head & Sill Detail



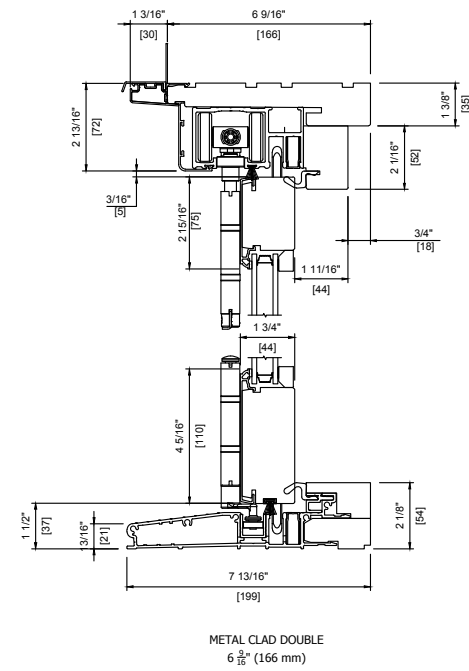
Plan View



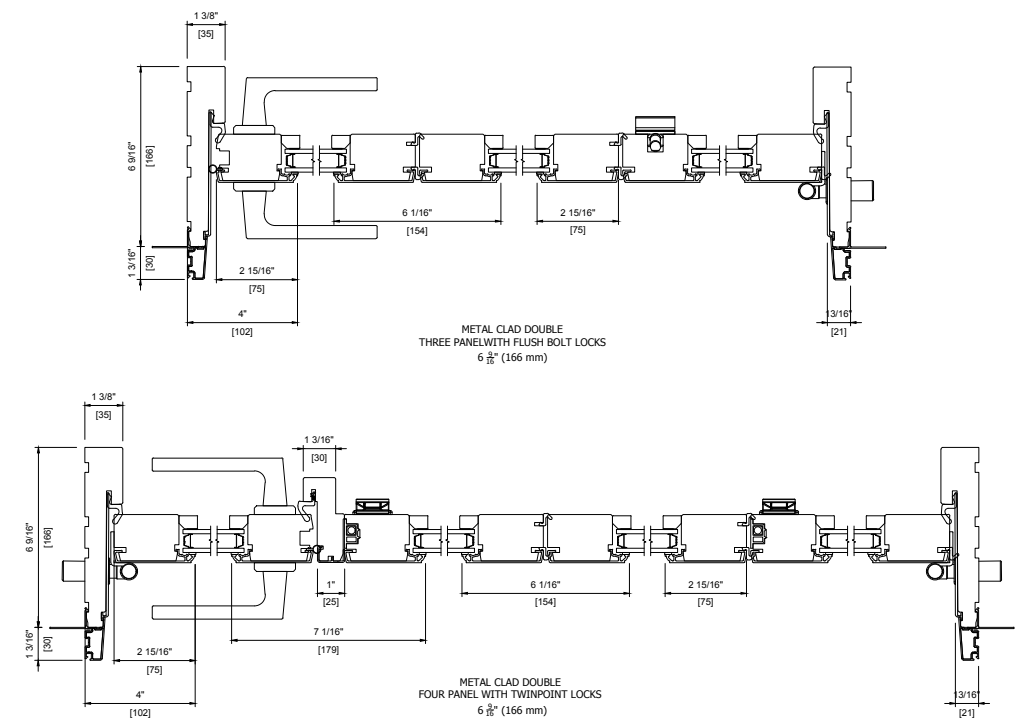
- Note:**
- Other jamb widths available.
 - All dimensions to have +/- 1/16" [2 mm] tolerance.
 - The preparation of the rough opening for large openings such as those required by, but not limited to, LiftSlide, Bifold and MultiSlide doors have unique requirements. Structural headers that allow for deflection no greater than 1/8" along the unsupported length once the header is fully loaded are required. Special care needs to be taken when installing any unit including transoms above such large opening units.
 - Loewen is not responsible for site measurements or the determination of structural and architectural requirements for the installation of large opening products such as but not limited to, LiftSlide, Bifold and MultiSlide doors. Site specifications are the responsibility of building professionals or engineers to determine.

3" Narrow Stile Bifold Door Detail

Head & Sill Detail

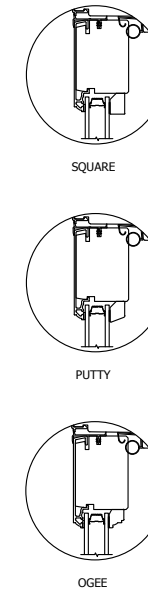


Plan View

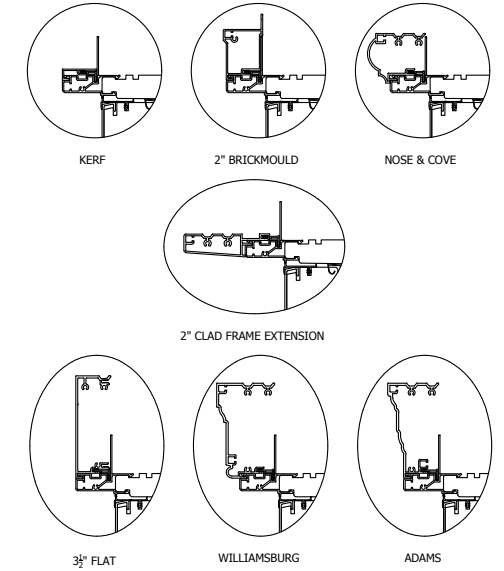


- Note:**
- Other jamb widths available.
 - All dimensions to have +/- 1/16" [2 mm] tolerance.
 - The preparation of the rough opening for large openings such as those required by, but not limited to, LiftSlide, Bifold and MultiSlide doors have unique requirements. Structural headers that allow for deflection no greater than 1/8" along the unsupported length once the header is fully loaded are required. Special care needs to be taken when installing any unit including transoms above such large opening units.
 - Loewen is not responsible for site measurements or the determination of structural and architectural requirements for the installation of large opening products such as but not limited to, LiftSlide, Bifold and MultiSlide doors. Site specifications are the responsibility of building professionals or engineers to determine.

Glazing Stop Profiles



Casing



See Page A26 For Dimensions

