

Technical Guide M

**MultiSlide
Doors**



Loewen MultiSlide

MultiSlide doors provide large dramatic openings for the transition from indoor and outdoor living spaces. With an easy, smooth and quiet operation, using stainless steel tracks, MultiSlide interlocking sliding panels provides secure and weatherproof options in large openings. A large selection of custom configurations and design options are available, including bi-parting and hidden pocketing.

Loewen narrow stile and rail panels provide a contemporary look with a narrow stile 2 7/8" face width. This width is narrower than many sliding door programs while still incorporating an available flush handle and multipoint locking mechanism. Also available in the wide 4 5/16" stile. The panel construction, using authentic Loewen door components, results in a cohesive aesthetic with other Loewen product lines.



Our unique 2 1/4" thick panel adds superior thermal performance, as well as strength and durability. The high structural integrity and raised threshold options allow MultiSlide doors to be located in areas of moderate to high exposure where homeowners want a broad view with no visual interference – mountain, hillside or lake-front vistas. Multi track thermally broken frame and sill is available in raised sill with no riser, 1 1/8" riser and 1 1/2" riser for best performance.

Doors can be clad in a variety of colors from the extensive Loewen palette, and are available in Douglas Fir or in Mahogany interiors.

Simulated Divided Lites (SDL)

Ogee Profile.
Putty Profile.
Square Profile (interior only)

Track Assembly

Available in bronze anodized finish only. Multi track thermally broken frame and sill is available in raised sill with no riser, 1 1/8" riser and 1 1/2" riser.

Metal Clad Color Spectrum

All palette colors including anodized.

Standard Features

- Standard panel heights up to 10 feet.
- Standard panel widths up to 5 feet; custom sizes available.
- Natural Douglas Fir interior (no visible finger joints).
- LowE insulated tempered glazing.
- 2 1/4" (58 mm) thick sliding panels.
- Extruded aluminum cladding in all palette colors including anodized.
- Standard bronze anodized sill with built in drainage system.
- Metal clad jamb fillers and frame cladding match clad door panels.

Glass & Glazing

- A wide variety of glazing options available including triple glazed.
- LowE Double and LowE Triple.
- Exterior Simulated Divided Lites options available in Putty, Ogee and Square.
- Interior SDL and stops options include Ogee, Square and Putty.

Hardware

- Multipoint locking door handles are available in a variety of styles and finishes. See section A.

Specifications

Standards

Most units have been tested by an independent laboratory for air and water infiltration, structural performance and thermal performance.

Panel

Manufactured from Coastal Douglas Fir kiln-dried lumber. The entire Loewen product line is also available in optional Mahogany.

Preservative Treated

All wood parts are dipped in approved low VOC preservative.

Door Panels

Opening panel is equipped with two sets of adjustable ball bearing tandem rollers. Sash is 2 1/4" (58 mm) thick for extra strength and durability.

Glazing

With countless glazing configurations and LowE coating options, we ensure that you can choose the perfect blend of protection and comfort.

LowE® Systems

LowE best describes the benefits of the product that incorporates glazing coatings and Argon gas. LowE systems help reduce heating and cooling costs, providing superior energy efficiency.

Simulated Divided Lites (SDL)

Standard SDL complete with airspace grilles. Grille bars are permanently applied to the interior and exterior.



Flush handle

Exterior pull

Multipoint handle system

Sample Configurations

STACKING	POCKETED
0XX	PXX
0XXX	PXXX
0XXXX	PXXXX
0XXXXXX	PXXXXXX
0X - X0	PXX - XXP
0XX - XX0	PXXX - XXXP
0XXX - XXX0	PXXXX - XXXXP

X = Operating 0=Fixed P=Pocket

Standard Features

- Stacking: 8 panels max (left or right in a single direction)
- Bi-Parting: 4 panels left, 4 panels right (8 in total)
- Pocket: max 8 panels stacking or bi-parting

Metal Cladding

Heavy duty exterior metal cladding comprised of extruded aluminum is available in a variety of palette colors. Interiors of door are natural wood, unfinished or primed. Metal clad units are supplied knock-down ready-to-install complete with optional metal nailing flange.

Sill Track

Extruded metal sill with stainless steel cap over operating track for ease of operation and long-lasting performance. An internal weep system with drainage holes keeps water out of the interior trough.

Hardware

Multi-point locking hardware, in patio and flush handle styles. The locking hardware is also available in several optional finishes. Stainless steel roller assemblies are optional.

Multislide Narrow Stile Stacking

		Width													
Rough Opening															
	System														
	Panel														
	Jamb														
R.O.		24	24	36	36	36	36	36	36	36	36	60	60	60	59 7/16
		[610]	[610]	[914]	[914]	[914]	[914]	[914]	[914]	[914]	[914]	[1524]	[1524]	[1524]	[1510]
		7 3/8	10 3/8	7 3/8	10 3/8	13 3/8	16 3/8	19 3/8	22 3/8	25 3/8	7 3/8	10 3/8	13 3/8	16 3/8	
		[188]	[264]	[188]	[264]	[340]	[416]	[492]	[569]	[645]	[188]	[264]	[340]	[416]	
39 1/8 [994]	38 5/8 [981]	36 [914]		OXXO	OXX XO	OXXO	OXX XO	OXXX XXXO	OXXXX XXXXO	OXXXXX XXXXXO	OXXXXXX XXXXXXO	OXXXXXX XXXXXXO	OXXXXXX XXXXXXO	OXXXXXX XXXXXXO	OXXXXXX XXXXXXO
63 1/8 [1604]	62 5/8 [1591]	60 [1524]		OXXO	OXX XO	OXXO	OXX XO	OXXX XXXO	OXXXX XXXXO	OXXXXX XXXXXO	OXXXXXX XXXXXXO	OXXXXXX XXXXXXO	OXXXXXX XXXXXXO	OXXXXXX XXXXXXO	OXXXXXX XXXXXXO
87 3/16 [2214]	86 11/16 [2201]	84 [2134]				OXXO	OXX XO	OXXX XXXO	OXXXX XXXXO	OXXXXX XXXXXO	OXXXXXX XXXXXXO	OXXXXXX XXXXXXO	OXXXXXX XXXXXXO	OXXXXXX XXXXXXO	OXXXXXX XXXXXXO
99 1/8 [2518]	98 5/8 [2505]	96 [2438]				OXXO	OXX XO	OXXX XXXO	OXXXX XXXXO	OXXXXX XXXXXO	OXXXXXX XXXXXXO	OXXXXXX XXXXXXO	OXXXXXX XXXXXXO	OXXXXXX XXXXXXO	OXXXXXX XXXXXXO
111 1/8 [2823]	110 5/8 [2810]	108 [2743]				OXXO	OXX XO	OXXX XXXO	OXXXX XXXXO	OXXXXX XXXXXO	OXXXXXX XXXXXXO	OXXXXXX XXXXXXO	OXXXXXX XXXXXXO	OXXXXXX XXXXXXO	OXXXXXX XXXXXXO
123 1/8 [3128]	122 5/8 [3115]	120 [3048]				OXXO	OXX XO	OXXX XXXO	OXXXX XXXXO	OXXXXX XXXXXO	OXXXXXX XXXXXXO	OXXXXXX XXXXXXO	OXXXXXX XXXXXXO	OXXXXXX XXXXXXO	OXXXXXX XXXXXXO

- Minimum Panel Dimensions - 2' x 3'
- Maximum Panel Dimensions - 5' x 10'
- Maximum System Width - 24'

Note:

- O = Fixed
- X = Operating
- P = Pocketing

• The preparation of the rough opening for large openings such as those required by, but not limited to, LiftSlide, Bifold and MultiSlide doors have unique requirements. Structural headers that allow for deflection no greater than 1/8" along the unsupported length once the header is fully loaded are required. Special care needs to be taken when installing any unit including transoms above such large opening units.

• Loewen is not responsible for site measurements or the determination of structural and architectural requirements for the installation of large opening products such as but not limited to, LiftSlide, Bifold and MultiSlide doors. Site specifications are the responsibility of building professionals or engineers to determine.

Multislide Wide Stile Stacking

		Width													
Rough Opening															
	System														
	Panel														
	Jamb														
R.O.		24	24	36	36	36	36	36	36	36	60	60	60	60	
		[610]	[610]	[914]	[914]	[914]	[914]	[914]	[914]	[914]	[1524]	[1524]	[1524]	[1524]	
		7 3/8	10 3/8	7 3/8	10 3/8	13 3/8	16 3/8	19 3/8	22 3/8	25 3/8	7 3/8	10 3/8	13 3/8	16 3/8	
		[188]	[264]	[188]	[264]	[340]	[416]	[492]	[569]	[645]	[188]	[264]	[340]	[416]	
39 1/8 [994]	38 5/8 [981]	36 [914]		OXXO	OXX XO	OXXO	OXX XO	OXXX XXXO	OXXXX XXXXO	OXXXXX XXXXXO	OXXXXXX XXXXXXO	OXXXXXX XXXXXXO	OXXXXXX XXXXXXO	OXXXXXX XXXXXXO	OXXXXXX XXXXXXO
63 1/8 [1604]	62 5/8 [1591]	60 [1524]		OXXO	OXX XO	OXXO	OXX XO	OXXX XXXO	OXXXX XXXXO	OXXXXX XXXXXO	OXXXXXX XXXXXXO	OXXXXXX XXXXXXO	OXXXXXX XXXXXXO	OXXXXXX XXXXXXO	OXXXXXX XXXXXXO
87 3/16 [2214]	86 11/16 [2201]	84 [2134]				OXXO	OXX XO	OXXX XXXO	OXXXX XXXXO	OXXXXX XXXXXO	OXXXXXX XXXXXXO	OXXXXXX XXXXXXO	OXXXXXX XXXXXXO	OXXXXXX XXXXXXO	OXXXXXX XXXXXXO
99 1/8 [2518]	98 5/8 [2505]	96 [2438]				OXXO	OXX XO	OXXX XXXO	OXXXX XXXXO	OXXXXX XXXXXO	OXXXXXX XXXXXXO	OXXXXXX XXXXXXO	OXXXXXX XXXXXXO	OXXXXXX XXXXXXO	OXXXXXX XXXXXXO
111 1/8 [2823]	110 5/8 [2810]	108 [2743]				OXXO	OXX XO	OXXX XXXO	OXXXX XXXXO	OXXXXX XXXXXO	OXXXXXX XXXXXXO	OXXXXXX XXXXXXO	OXXXXXX XXXXXXO	OXXXXXX XXXXXXO	OXXXXXX XXXXXXO
123 1/8 [3128]	122 5/8 [3115]	120 [3048]				OXXO	OXX XO	OXXX XXXO	OXXXX XXXXO	OXXXXX XXXXXO	OXXXXXX XXXXXXO	OXXXXXX XXXXXXO	OXXXXXX XXXXXXO	OXXXXXX XXXXXXO	OXXXXXX XXXXXXO

- Minimum Panel Dimensions - 2' x 3'
- Maximum Panel Dimensions - 5' x 10'
- Maximum System Width - 24'

Note:

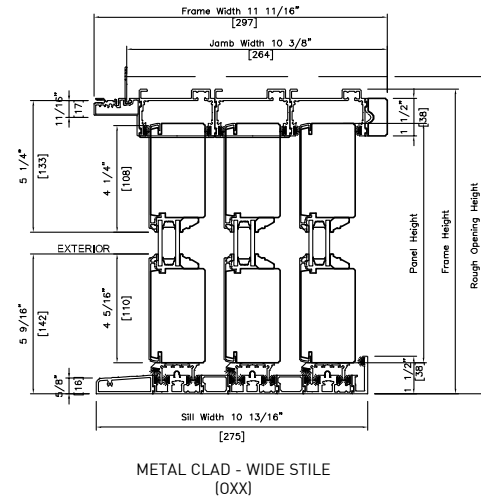
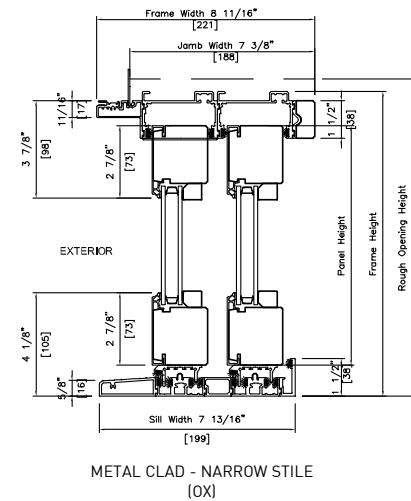
- O = Fixed
- X = Operating
- P = Pocketing

• The preparation of the rough opening for large openings such as those required by, but not limited to, LiftSlide, Bifold and MultiSlide doors have unique requirements. Structural headers that allow for deflection no greater than 1/8" along the unsupported length once the header is fully loaded are required. Special care needs to be taken when installing any unit including transoms above such large opening units.

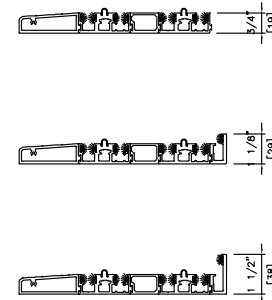
• Loewen is not responsible for site measurements or the determination of structural and architectural requirements for the installation of large opening products such as but not limited to, LiftSlide, Bifold and MultiSlide doors. Site specifications are the responsibility of building professionals or engineers to determine.

Multislide Stacking Door Detail

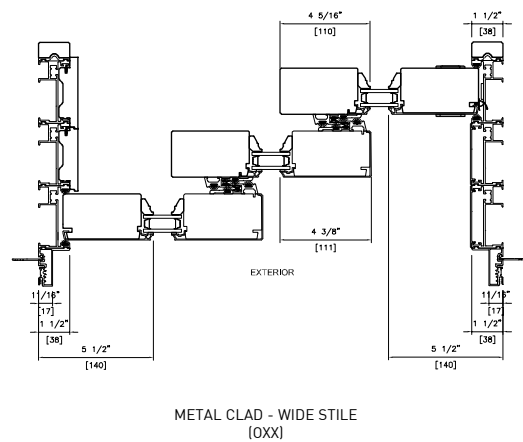
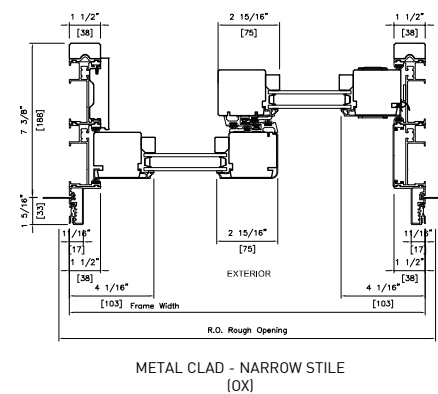
Head & Sill Detail



Optional Risers

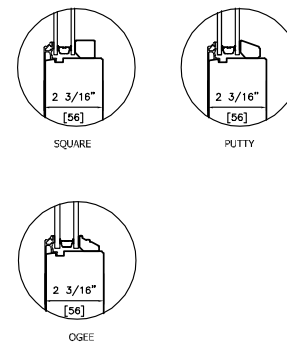


Plan View

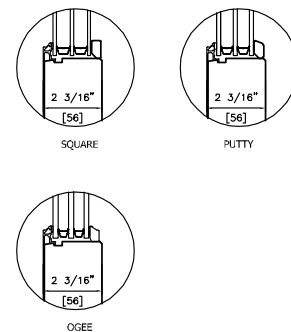


Glazing Stop Profiles

Double



Triple



- Note:
- Drawings shown are typical details.
 - Additional sizes and configurations available.
 - Screen options may be available depending on size and configuration.
 - All dimensions to have +/- 1/16" (2 mm) tolerance.
 - O = Fixed
 - X = Operating
 - P = Pocketing
 - The preparation of the rough opening for large openings such as those required by, but not limited to, LiftSlide, Bifold and MultiSlide doors have unique requirements. Structural headers that allow for deflection no greater than 1/8" along the unsupported length once the header is fully loaded are required. Special care needs to be taken when installing any unit including transoms above such large opening units.
 - Loewen is not responsible for site measurements or the determination of structural and architectural requirements for the installation of large opening products such as but not limited to, LiftSlide, Bifold and MultiSlide doors. Site specifications are the responsibility of building professionals or engineers to determine.

Multislide Narrow Stile - Stacking With Pocket

Width

Rough Opening	Width															
	52 15/16 [1344]	74 1/8 [1883]	76 7/8 [1953]	110 [2795]	143 3/16 [3636]	176 5/16 [4478]	209 7/16 [5320]	242 5/8 [6162]	275 3/4 [7004]	289 [7341]	124 7/8 [3172]	182 1/16 [4625]	239 1/4 [6076]	289 [7341]		
System	51 15/16 [1319]	71 9/16 [1818]	75 7/8 [1927]	109 [2769]	142 3/16 [3611]	175 5/16 [4533]	208 7/16 [5295]	241 5/8 [6137]	274 3/4 [6979]	288 [7215]	123 7/8 [3147]	181 1/16 [4599]	238 1/4 [6051]	288 [7315]		
Framed Rough Opening	27 7/8" [709]	49 1/8 [1247]	39 7/8 [1013]	73 1/16 [1855]	106 3/16 [2697]	139 5/16 [3539]	172 1/2 [4381]	205 5/8 [5223]	238 3/4 [6065]	254 1/4 [6457]	63 7/8 [1623]	121 1/16 [3075]	178 1/4 [4527]	229 1/2 [5829]		
Panel	24 [610]	24 [610]	36 [914]	36 [914]	36 [914]	36 [914]	36 [914]	36 [914]	36 [914]	33 3/4 [858]	60 [1524]	60 [1524]	60 [1524]	58 1/2 [1487]		
Pocket	4 15/16 [125]	7 [178]	4 15/16 [125]	7 [178]	10 [254]	13 [330]	16 [406]	19 [483]	22 [559]	25 [635]	4 15/16 [125]	7 [178]	10 [254]	13 [330]		
Jamb	4 3/8 [111]	7 3/8 [187]	4 3/8 [111]	7 3/8 [188]	10 3/8 [264]	13 3/8 [340]	16 3/8 [416]	19 3/8 [492]	22 3/8 [569]	25 3/8 [645]	4 3/8 [111]	7 3/8 [187]	10 3/8 [264]	13 3/8 [340]		
39 1/8 [994]	38 5/8 [981]	36 [914]	PX XP	PXX XXP	PXP	PXXXXP	PXXX XXXP	PXXXX XXXXP	PXXXXX XXXXP	PXXXXXX XXXXP	PXXXXXX XXXXP	PXXXXXX XXXXP	PXXXXXX XXXXP	PXXXXXX XXXXP		
63 1/8 [1604]	62 5/8 [1591]	60 [1524]	PX XP	PXX XXP	PXP	OXO	PXXX XXXP	PXXXX XXXXP	PXXXXX XXXXP	PXXXXXX XXXXP	PXXXXXX XXXXP	PXXXXXX XXXXP	PXXXXXX XXXXP	PXXXXXX XXXXP		
87 3/16 [2214]	86 11/16 [2201]	84 [2134]			PXP	OXO	PXXX XXXP	PXXXX XXXXP	PXXXXX XXXXP	PXXXXXX XXXXP	PXXXXXX XXXXP	PXXXXXX XXXXP	PXXXXXX XXXXP	PXXXXXX XXXXP		
99 1/8 [2518]	98 5/8 [2505]	96 [2438]			PXP	OXO	PXXX XXXP	PXXXX XXXXP	PXXXXX XXXXP	PXXXXXX XXXXP	PXXXXXX XXXXP	PXXXXXX XXXXP	PXXXXXX XXXXP	PXXXXXX XXXXP		
111 1/8 [2823]	110 5/8 [2810]	108 [2743]			PXP	OXO	PXXX XXXP	PXXXX XXXXP	PXXXXX XXXXP	PXXXXXX XXXXP	PXXXXXX XXXXP	PXXXXXX XXXXP	PXXXXXX XXXXP	PXXXXXX XXXXP		
123 1/8 [3128]	122 5/8 [3115]	120 [3048]			PXP	OXO	PXXX XXXP	PXXXX XXXXP	PXXXXX XXXXP	PXXXXXX XXXXP	PXXXXXX XXXXP	PXXXXXX XXXXP	PXXXXXX XXXXP	PXXXXXX XXXXP		

Height

- Minimum Panel Dimensions - 2' x 3'
- Maximum Panel Dimensions - 5' x 10'
- Maximum System Width - 24'

- Note:
- O = Fixed
 - X = Operating
 - P = Pocketing
 - The preparation of the rough opening for large openings such as those required by, but not limited to, LiftSlide, Bifold and MultiSlide doors have unique requirements. Structural headers that allow for deflection no greater than 1/8" along the unsupported length once the header is fully loaded are required. Special care needs to be taken when installing any unit including transoms above such large opening units.
 - Loewen is not responsible for site measurements or the determination of structural and architectural requirements for the installation of large opening products such as but not limited to, LiftSlide, Bifold and MultiSlide doors. Site specifications are the responsibility of building professionals or engineers to determine.

Multislide Wide Stile - Stacking With Pocket

Width

R.O	Rough Opening		Width														289
	System		51	71	75	107	139	175	202	234	265	288	123	179	235	288	
	Framed Rough Opening		27	47	39	71	103	139	166	198	229	253	63	119	175	228	
	Panel		24	24	36	36	36	36	36	36	34	60	60	60	59		
	Pocket		4	7	4	7	10	13	16	19	22	25	4	7	10	13	
Jamb		4	7	4	7	10	13	16	19	22	25	4	7	10	13		
39	38	36	PX	PXX	PXXP	PXX	PXXX	PXXXX	PXXXXX	PXXXXXX	PXXXXXXX	PXXXXXX	PXXXXX	PXXX	PXXXX		
63	62	60	PX	PXX	PXXP	PXX	PXXX	PXXXX	PXXXXX	PXXXXXX	PXXXXXXX	PXXXXXX	PXXXXX	PXXX	PXXXX		
87	86	84			PXXP	PXX	PXXX	PXXXX	PXXXXX	PXXXXXX	PXXXXXXX	PXXXXXX	PXXXXX	PXXX	PXXXX		
99	98	96			PXXP	PXX	PXXX	PXXXX	PXXXXX	PXXXXXX	PXXXXXXX	PXXXXXX	PXXXXX	PXXX	PXXXX		
111	110	108			PXXP	PXX	PXXX	PXXXX	PXXXXX	PXXXXXX	PXXXXXXX	PXXXXXX	PXXXXX	PXXX	PXXXX		
123	122	120			PXXP	PXX	PXXX	PXXXX	PXXXXX	PXXXXXX	PXXXXXXX	PXXXXXX	PXXXXX	PXXX	PXXXX		

Height

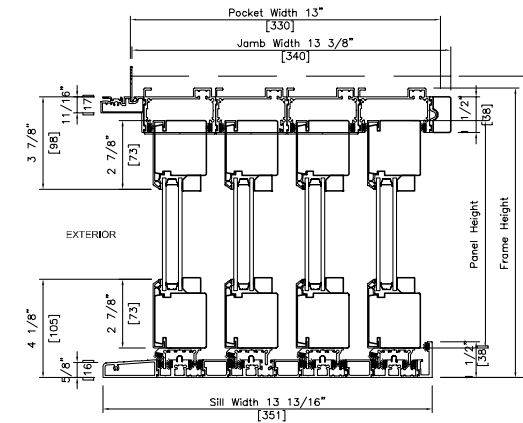
- Minimum Panel Dimensions - 2' x 3'
- Maximum Panel Dimensions - 5' x 10'
- Maximum System Width - 24'

Note:

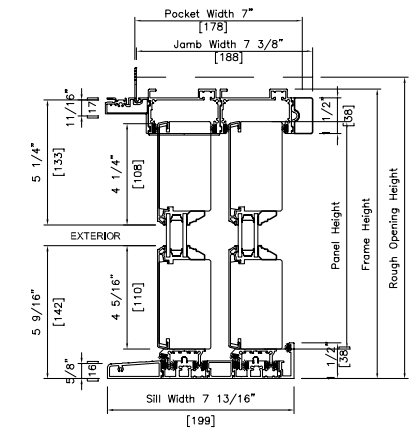
- O = Fixed
- X = Operating
- P = Pocketing
- The preparation of the rough opening for large openings such as those required by, but not limited to, LiftSlide, Bifold and MultiSlide doors have unique requirements. Structural headers that allow for deflection no greater than 1/8" along the unsupported length once the header is fully loaded are required. Special care needs to be taken when installing any unit including transoms above such large opening units.
- Loewen is not responsible for site measurements or the determination of structural and architectural requirements for the installation of large opening products such as but not limited to, LiftSlide, Bifold and MultiSlide doors. Site specifications are the responsibility of building professionals or engineers to determine.

Multislide Stacking With Pocket Door Detail

Head & Sill Detail

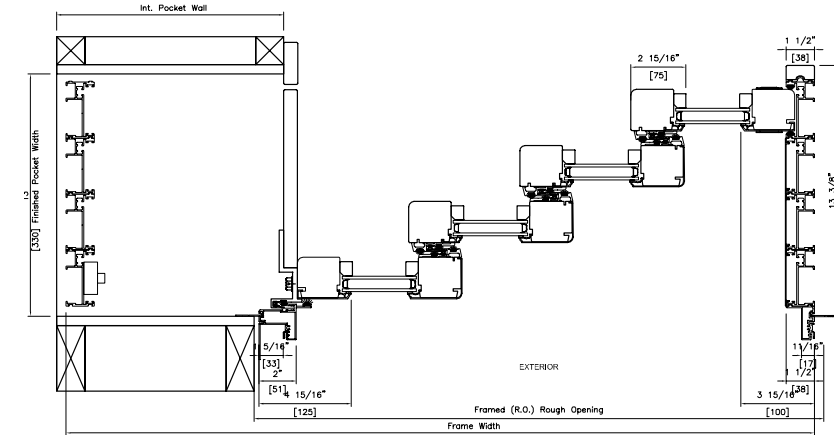


METAL CLAD - NARROW STILE (PXXXX)

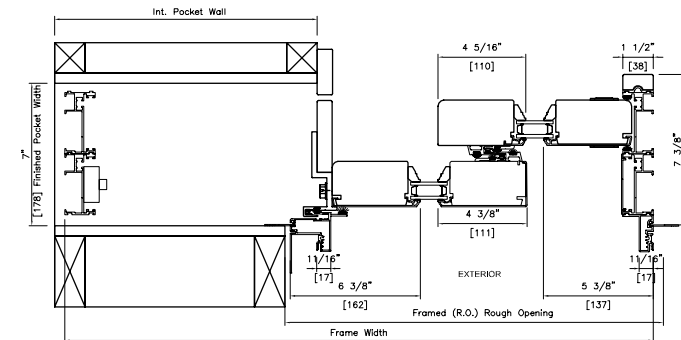


METAL CLAD - WIDE STILE (PX)

Plan View



METAL CLAD - NARROW STILE (PXXXX)



METAL CLAD - WIDE STILE (PX)

Note:

- Drawings shown are typical details.
- Additional sizes and configurations available.
- Screen options may be available depending on size and configuration.
- All dimensions to have +/- 1/16" (2 mm) tolerance.
- O = Fixed
- X = Operating
- P = Pocketing
- The preparation of the rough opening for large openings such as those required by, but not limited to, LiftSlide, Bifold and MultiSlide doors have unique requirements. Structural headers that allow for deflection no greater than 1/8" along the unsupported length once the header is fully loaded are required. Special care needs to be taken when installing any unit including transoms above such large opening units.
- Loewen is not responsible for site measurements or the determination of structural and architectural requirements for the installation of large opening products such as but not limited to, LiftSlide, Bifold and MultiSlide doors. Site specifications are the responsibility of building professionals or engineers to determine.

Multislide Narrow Stile - Bi-Parting

		Width							
Rough Opening									289 [7341]
	System								288 [7315]
	Panel								49 1/2 [1257]
	Jamb								10 3/8 [264]
R.O									
93 7/8 [2384]	136 3/16 [3459]	141 3/4 [3600]	208 [5283]	274 5/16 [6967]	237 13/16 [6040]				
92 7/8 [2359]	135 3/16 [3434]	140 3/4 [3575]	207 [5258]	273 5/16 [6942]	236 13/16 [6015]				
24 [610]	24 [610]	36 [914]	36 [914]	36 [914]	60 [1524]				
7 3/8 [188]	10 3/8 [264]	7 3/8 [188]	10 3/8 [264]	13 3/8 [340]	7 3/8 [188]				
39 1/8 [994]	38 5/8 [981]	36 [914]	OX-XO	OXX-XXO	OX-XO	OXX-XXO	OXXX-XXXO	OX-XO	OXX-XXO
63 1/8 [1604]	62 5/8 [1591]	60 [1524]	OX-XO	OXX-XXO	OX-XO	OXX-XXO	OXXX-XXXO	OX-XO	OXX-XXO
87 3/16 [2214]	86 11/16 [2201]	84 [2134]			OX-XO	OXX-XXO	OXXX-XXXO	OX-XO	OXX-XXO
99 1/8 [2518]	98 5/8 [2505]	96 [2438]			OX-XO	OXX-XXO	OXXX-XXXO	OX-XO	OXX-XXO
111 1/8 [2823]	110 5/8 [2810]	108 [2743]			OX-XO	OXX-XXO	OXXX-XXXO	OX-XO	OXX-XXO
123 1/8 [3128]	122 5/8 [3115]	120 [3048]			OX-XO	OXX-XXO	OXXX-XXXO	OX-XO	OXX-XXO

Height

- Minimum Panel Dimensions - 2' x 3'
- Maximum Panel Dimensions - 5' x 10'
- Maximum System Width - 24'

Note:

- O = Fixed
- X = Operating
- P = Pocketing

• The preparation of the rough opening for large openings such as those required by, but not limited to, LiftSlide, Bifold and MultiSlide doors have unique requirements. Structural headers that allow for deflection no greater than 1/8" along the unsupported length once the header is fully loaded are required. Special care needs to be taken when installing any unit including transoms above such large opening units.

• Loewen is not responsible for site measurements or the determination of structural and architectural requirements for the installation of large opening products such as but not limited to, LiftSlide, Bifold and MultiSlide doors. Site specifications are the responsibility of building professionals or engineers to determine.

Multislide Wide Stile - Bi-Parting

		Width							
Rough Opening									289 [7341]
	System								288 [7315]
	Panel								50 1/2 [1283]
	Jamb								10 3/8 [264]
R.O									
90 13/16 [2307]	129 15/16 [3301]	138 11/16 [3523]	201 15/16 [5129]	264 3/16 [6736]	234 3/4 [5963]				
89 13/16 [2281]	128 15/16 [3434]	137 11/16 [3497]	200 15/16 [5104]	263 3/16 [6711]	233 3/4 [5937]				
24 [610]	24 [610]	36 [914]	36 [914]	36 [914]	60 [1524]				
7 3/8 [188]	10 3/8 [264]	7 3/8 [188]	10 3/8" [264]	13 3/8 [340]	7 3/8 [188]				
39 1/8 [994]	38 5/8 [981]	36 [914]	OX-XO	OXX-XXO	OX-XO	OXX-XXO	OXXX-XXXO	OX-XO	OXX-XXO
63 1/8 [1604]	62 5/8 [1591]	60 [1524]	OX-XO	OXX-XXO	OX-XO	OXX-XXO	OXXX-XXXO	OX-XO	OXX-XXO
87 3/16 [2214]	86 11/16 [2201]	84 [2134]			OX-XO	OXX-XXO	OXXX-XXXO	OX-XO	OXX-XXO
99 1/8 [2518]	98 5/8 [2505]	96 [2438]			OX-XO	OXX-XXO	OXXX-XXXO	OX-XO	OXX-XXO
111 1/8 [2823]	110 5/8 [2810]	108 [2743]			OX-XO	OXX-XXO	OXXX-XXXO	OX-XO	OXX-XXO
123 1/8 [3128]	122 5/8 [3115]	120 [3048]			OX-XO	OXX-XXO	OXXX-XXXO	OX-XO	OXX-XXO

Height

- Minimum Panel Dimensions - 2' x 3'
- Maximum Panel Dimensions - 5' x 10'
- Maximum System Width - 24'

Note:

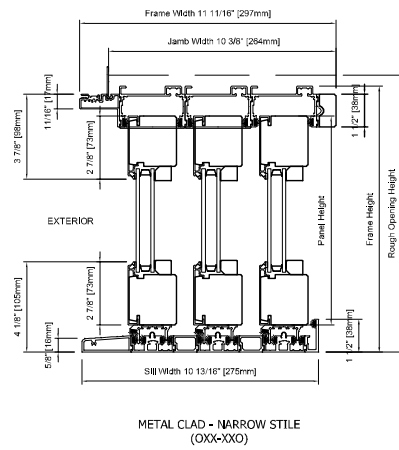
- O = Fixed
- X = Operating
- P = Pocketing

• The preparation of the rough opening for large openings such as those required by, but not limited to, LiftSlide, Bifold and MultiSlide doors have unique requirements. Structural headers that allow for deflection no greater than 1/8" along the unsupported length once the header is fully loaded are required. Special care needs to be taken when installing any unit including transoms above such large opening units.

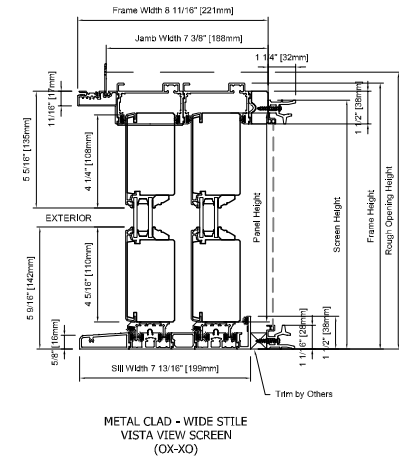
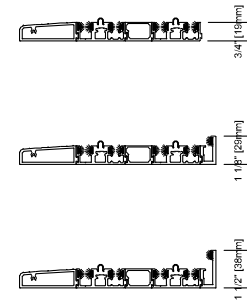
• Loewen is not responsible for site measurements or the determination of structural and architectural requirements for the installation of large opening products such as but not limited to, LiftSlide, Bifold and MultiSlide doors. Site specifications are the responsibility of building professionals or engineers to determine.

Multislide Bi-Parting Door Detail

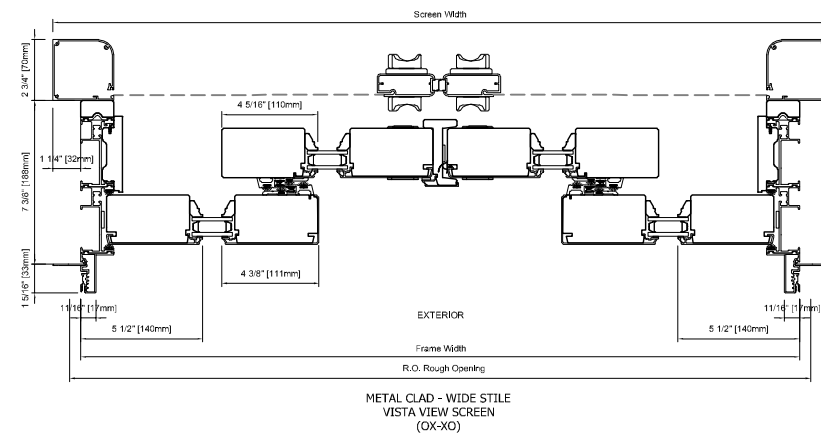
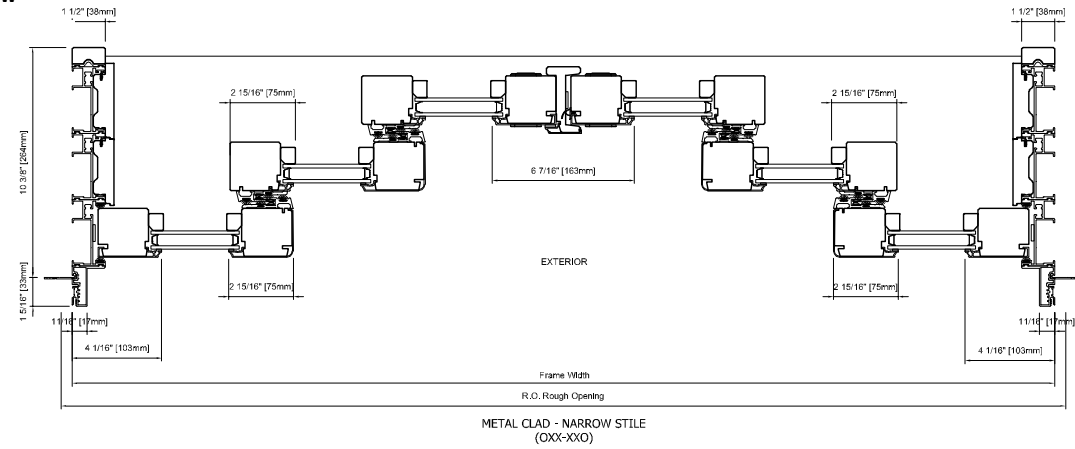
Head & Sill Detail



Optional Risers



Plan View



- Note:
- Drawings shown are typical details.
 - Additional sizes and configurations available.
 - Screen options may be available depending on size and configuration.
 - All dimensions to have +/- 1/16" (2 mm) tolerance.
 - O = Fixed
 - X = Operating
 - P = Pocketing
 - The preparation of the rough opening for large openings such as those required by, but not limited to, LiftSlide, Bifold and MultiSlide doors have unique requirements. Structural headers that allow for deflection no greater than 1/8" along the unsupported length once the header is fully loaded are required. Special care needs to be taken when installing any unit including transoms above such large opening units.
 - Loewen is not responsible for site measurements or the determination of structural and architectural requirements for the installation of large opening products such as but not limited to, LiftSlide, Bifold and MultiSlide doors. Site specifications are the responsibility of building professionals or engineers to determine.

Multislide Narrow Stile - Bi-Parting With Pocket

Width

Rough Opening	Width									
	103 1/4 [2623]	145 5/8 [3699]	151 1/8 [3839]	217 7/16 [5523]	283 3/4 [7207]	289 [7341]	247 3/16 [6279]	289 [7341]		
	System									
R.O	System									
	Framed Rough Opening									
	Panel									
		Pocket								
39 1/8 [994]	38 5/8 [981]	36 [914]	PX-XP	PXX-XXP	PX-XP	PXX-XXP	PXXX-XXXP	PXXXX-XXXXP	PX-XP	PXX-XXP
63 1/8 [1604]	62 5/8 [1591]	60 [1524]	PX-XP	PXX-XXP	PX-XP	PXX-XXP	PXXX-XXXP	PXXXX-XXXXP	PX-XP	PXX-XXP
87 3/16 [2214]	86 11/16 [2201]	84 [2134]			PX-XP	PXX-XXP	PXXX-XXXP	PXXXX-XXXXP	PX-XP	PXX-XXP
99 1/8 [2518]	98 5/8 [2505]	96 [2438]			PX-XP	PXX-XXP	PXXX-XXXP	PXXXX-XXXXP	PX-XP	PXX-XXP
111 1/8 [2823]	110 5/8 [2810]	108 [2743]			PX-XP	PXX-XXP	PXXX-XXXP	PXXXX-XXXXP	PX-XP	PXX-XXP
123 1/8 [3128]	122 5/8 [3115]	120 [3048]			PX-XP	PXX-XXP	PXXX-XXXP	PXXXX-XXXXP	PX-XP	PXX-XXP

Height

- Minimum Panel Dimensions - 2' x 3'
- Maximum Panel Dimensions - 5' x 10'
- Maximum System Width - 24'

- Note:
- O = Fixed
 - X = Operating
 - P = Pocketing
 - The preparation of the rough opening for large openings such as those required by, but not limited to, LiftSlide, Bifold and MultiSlide doors have unique requirements. Structural headers that allow for deflection no greater than 1/8" along the unsupported length once the header is fully loaded are required. Special care needs to be taken when installing any unit including transoms above such large opening units.
 - Loewen is not responsible for site measurements or the determination of structural and architectural requirements for the installation of large opening products such as but not limited to, LiftSlide, Bifold and MultiSlide doors. Site specifications are the responsibility of building professionals or engineers to determine.

Multislide Wide Stile - Bi-Parting With Pocket

		Width									
R.O.	Rough Opening	103 1/4 [2623]	142 9/16 [3699]	151 1/8 [3839]	214 3/8 [5445]	277 3/16 [7041]	289 [7341]	247 3/16 [6279]	289 [7341]		
	System	102 1/4 [2597]	141 9/16 [3595]	150 1/8 [3813]	213 3/8 [5419]	276 3/16 [7015]	288 [7315]	246 3/16 [6253]	288 [7315]		
	Framed Rough Opening	53 1/4 [1352]	91 3/4 [2330]	77 3/16 [1960]	139 5/8 [3546]	203 1/4 [5162]	225 3/8 [5725]	125 3/16 [3180]	189 7/8 [4810]		
	Panel	24 [610]	24 [610]	36 [914]	36 [914]	36 [914]	30 3/16 [782]	60 [1524]	48 7/16 [1230]		
		Pocket		4 15/16 [125]	7 [178]	4 15/16 [125]	7 [178]	10 [254]	13 [330]	4 15/16 [125]	7 [178]
39 1/8 [994]	38 5/8 [981]	36 [914]		PX-XP	PXX-XXP	PX-XP	PXX-XXP	PXXX-XXXXP	PXXXX-XXXXP	PX-XP	PXX-XXP
63 1/8 [1604]	62 5/8 [1591]	60 [1524]		PX-XP	PXX-XXP	PX-XP	PXX-XXP	PXXX-XXXXP	PXXXX-XXXXP	PX-XP	PXX-XXP
87 3/16 [2214]	86 11/16 [2201]	84 [2134]				PX-XP	PXX-XXP	PXXX-XXXXP	PXXXX-XXXXP	PX-XP	PXX-XXP
99 1/8 [2518]	98 5/8 [2505]	96 [2438]				PX-XP	PXX-XXP	PXXX-XXXXP	PXXXX-XXXXP	PX-XP	PXX-XXP
111 1/8 [2823]	110 5/8 [2810]	108 [2743]				PX-XP	PXX-XXP	PXXX-XXXXP	PXXXX-XXXXP	PX-XP	PXX-XXP
123 1/8 [3128]	122 5/8 [3115]	120 [3048]				PX-XP	PXX-XXP	PXXX-XXXXP	PXXXX-XXXXP	PX-XP	PXX-XXP

Height

- Minimum Panel Dimensions - 2' x 3'
- Maximum Panel Dimensions - 5' x 10'
- Maximum System Width - 24'

Note:

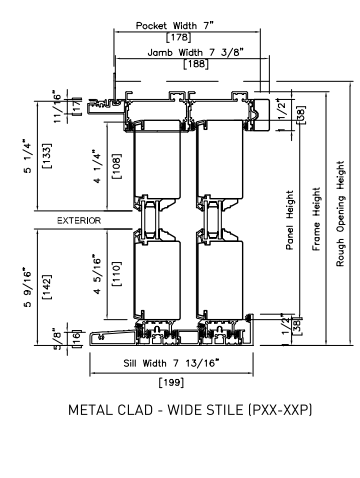
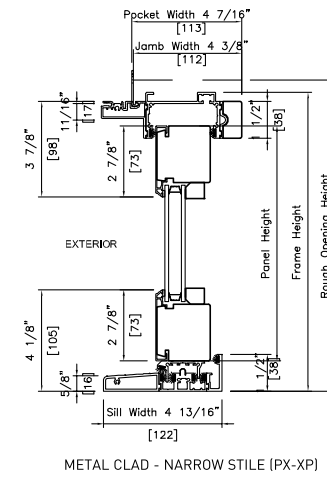
- O = Fixed
- X = Operating
- P = Pocketing

The preparation of the rough opening for large openings such as those required by, but not limited to, LiftSlide, Bifold and MultiSlide doors have unique requirements. Structural headers that allow for deflection no greater than 1/8" along the unsupported length once the header is fully loaded are required. Special care needs to be taken when installing any unit including transoms above such large opening units.

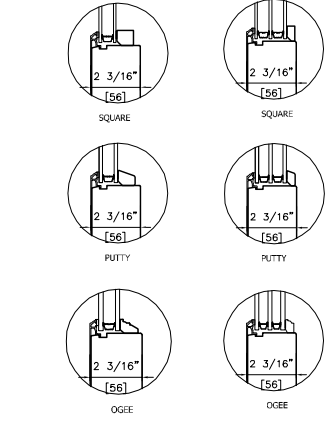
Loewen is not responsible for site measurements or the determination of structural and architectural requirements for the installation of large opening products such as but not limited to, LiftSlide, Bifold and MultiSlide doors. Site specifications are the responsibility of building professionals or engineers to determine.

Multislide Bi-Parting Door Detail

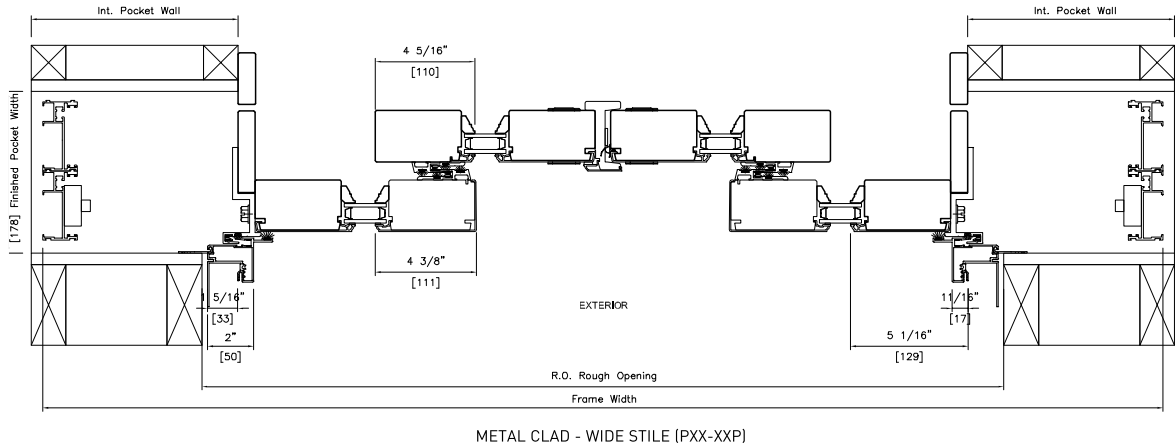
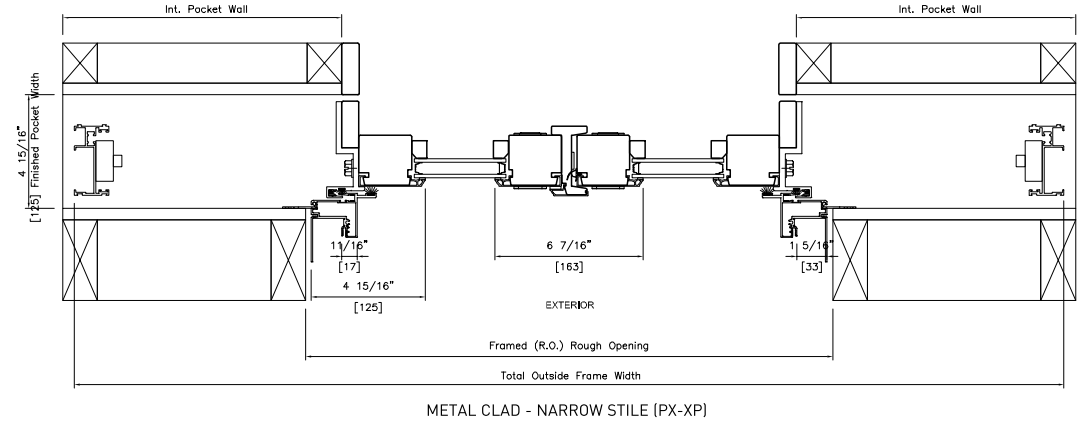
Head & Sill Detail



Glazing Stop Options



Plan View



Note:

- Drawings shown are typical details.
- Additional sizes and configurations available.
- Screen options may be available depending on size and configuration.
- All dimensions to have +/- 1/16" (2 mm) tolerance.
- O = Fixed
- X = Operating
- P = Pocketing

The preparation of the rough opening for large openings such as those required by, but not limited to, LiftSlide, Bifold and MultiSlide doors have unique requirements. Structural headers that allow for deflection no greater than 1/8" along the unsupported length once the header is fully loaded are required. Special care needs to be taken when installing any unit including transoms above such large opening units.

Loewen is not responsible for site measurements or the determination of structural and architectural requirements for the installation of large opening products such as but not limited to, LiftSlide, Bifold and MultiSlide doors. Site specifications are the responsibility of building professionals or engineers to determine.

