



TIMBER CURTAIN WALL

Technical Guide N

TIMBER CURTAIN WALL

Advanced European engineering meets modernized design with one of our most recent innovations.

Our Timber Curtain Wall system offers new design possibilities for the architectural community. These impressive contemporary vistas offer slim sight lines and large glass, all without sacrificing performance. The expansive views of our Timber Curtain Wall ultimately work to expand the home, let in more daylight, and enable customers to feel at one with nature.



PRODUCT FEATURES

Features

2" (50 mm) wide Curtain Wall System

Thermally broken, engineered system with all-wood interior

Configurations include vertical walls, rakeheads, corners and integrated operable units (Casements, Awnings, Terrace and French Doors, and Sliding Doors)

Monolithic, dual, and triple-glazed options in a variety of LowE coatings that align with other Loewen products

Exterior covers in extruded aluminum, Douglas Fir, or Honduran Mahogany

Factory prepped and configured mullion system for optimal quality and installation

Glazing

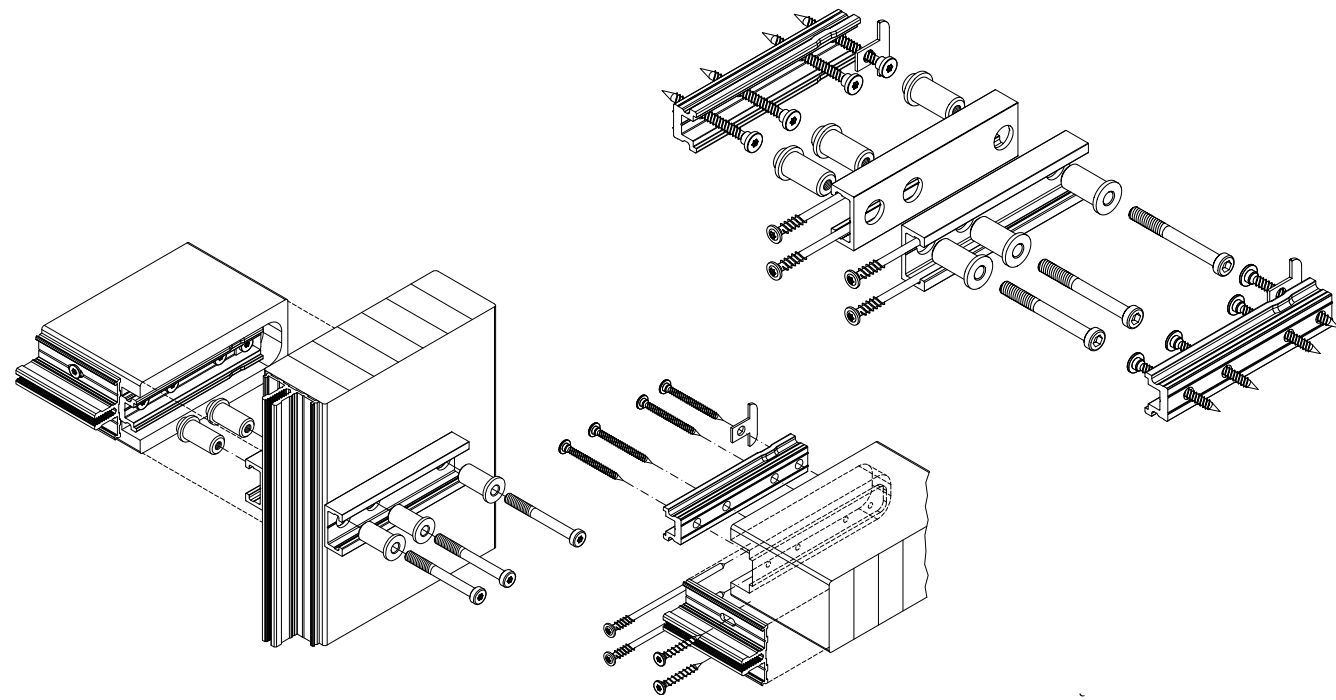
LowE Double, LowE Triple, Tranquility® and StormForce™. StormForce is not available on all products. Double or triple glass configurations with 1/2" (13 mm) airspace. With countless glazing configurations and LowE coating options, we ensure that you can choose the perfect blend of protection and comfort. LowE best describes the benefits of the product that incorporates glazing coatings and Argon gas. LowE systems help reduce heating and cooling costs, providing superior energy efficiency.

Sizing

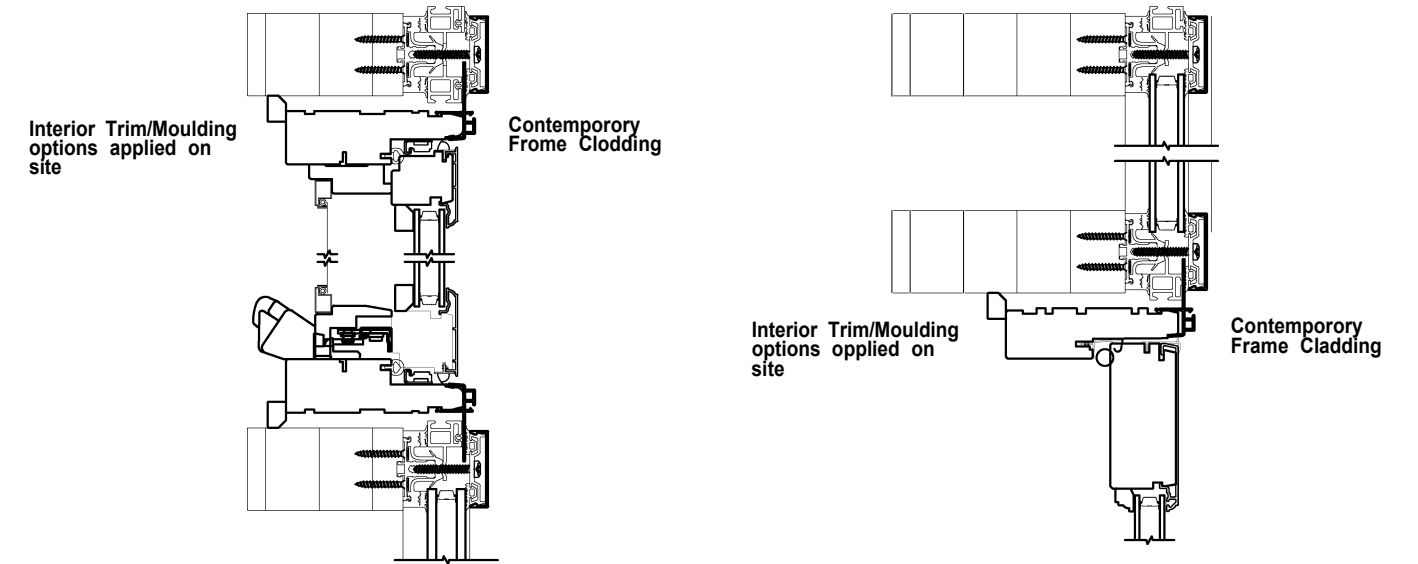
System Height	Up to 20' in a continuous, single span (longer lengths up to 30' subject to review)
System Width	Unlimited
Max Lite Area	Varies by glass specification (lite thickness, annealed or tempered, etc.)
Timber Depth	Varies based on wind load/ structural criteria, typically 3" to 9"
System Thickness	2" (50 mm) exterior, 2-1/8" (54 mm) interior

Timber Curtain Wall Detail

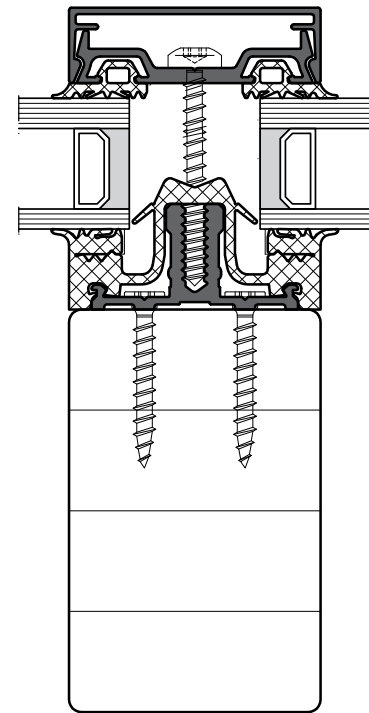
Timber Connector System



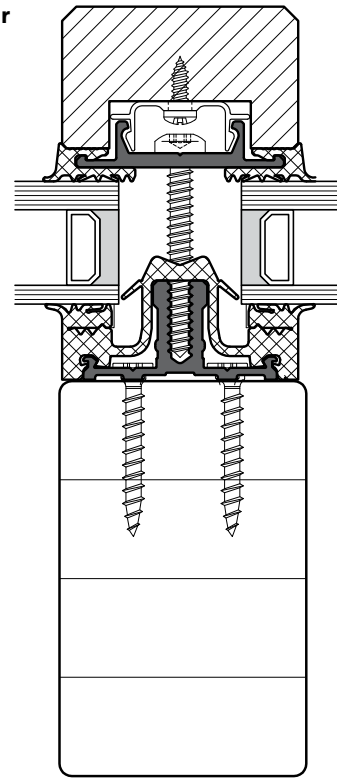
Timber Curtain Wall Detail



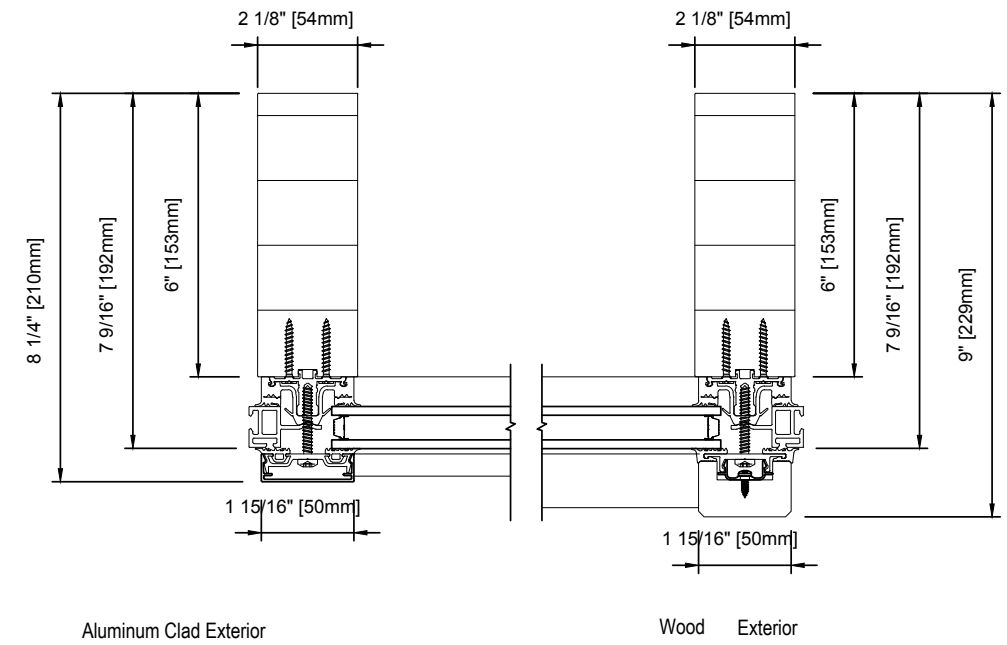
Metal Clad Exterior



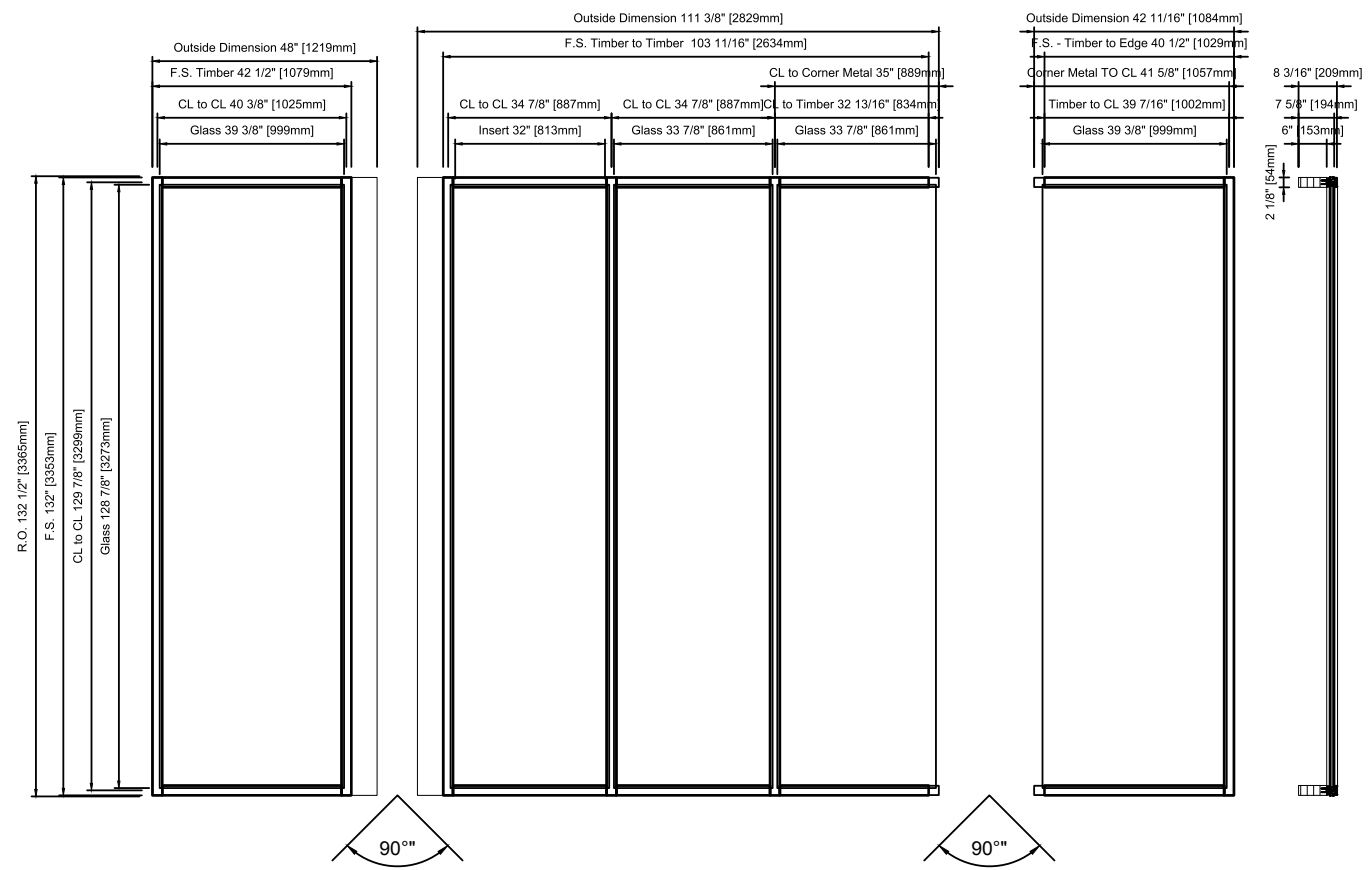
Wood Clad Exterior



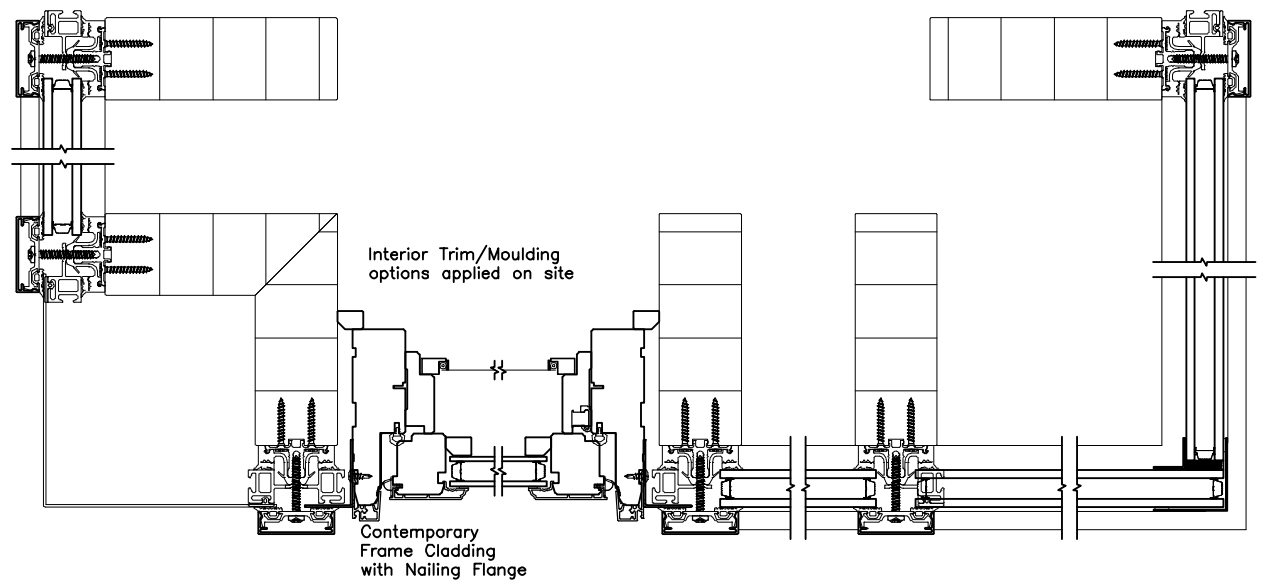
Plan View



Timber Curtain Wall Corner Detail



Plan View



Corner - Mitered Post

Corner - Butt Glazed

