

Technical Guide M

# MultiSlide Doors



## Loewen MultiSlide

MultiSlide doors provide large dramatic openings for the transition from indoor and outdoor living spaces. With an easy, smooth and quiet operation, using stainless steel tracks, MultiSlide interlocking sliding panels provides secure and weatherproof options in large openings. A large selection of custom configurations and design options are available, including bi-parting and hidden pocketing.

Loewen narrow stile and rail panels provide a contemporary look with a narrow stile 2 7/8" face width. This width is narrower than many sliding door programs while still incorporating an available flush handle and multipoint locking mechanism. Also available in the wide 4 5/16" stile. The panel construction, using authentic Loewen door components, results in a cohesive aesthetic with other Loewen product lines.



### Standard Features

- Standard panel heights up to 10 feet.
- Standard panel widths up to 5 feet; custom sizes available.
- Natural Douglas Fir interior (no visible finger joints).
- LowE insulated tempered glazing.
- 2 1/4" (58 mm) thick sliding panels.
- Extruded aluminum cladding in all palette colors including anodized.
- Standard bronze anodized sill with built in drainage system.
- Metal clad jamb fillers and frame cladding match clad door panels.

### Glass & Glazing

- A wide variety of glazing options available including triple glazed.
- LowE® Double and LowE® Triple.
- Exterior Simulated Divided Lites options available in Putty, Ogee and Square.
- Interior SDL and stops options include Ogee, Square and Putty.

### Hardware

- Multipoint locking door handles are available in a variety of styles and finishes. See section A.

Our unique 2 1/4" thick panel adds superior thermal performance, as well as strength and durability. The high structural integrity and raised threshold options allow MultiSlide doors to be located in areas of moderate to high exposure where homeowners want a broad view with no visual interference — mountain, hillside or lake-front vistas. Multi track thermally broken frame and sill is available in raised sill with no riser, 1 1/8" riser and 1 1/2" riser for best performance.

Doors can be clad in a variety of colors from the extensive Loewen palette, and are available in Douglas Fir or in Mahogany interiors.

### Simulated Divided Lites (SDL)

Ogee Profile.  
Putty Profile.  
Square Profile (interior only)

### Track Assembly

Available in bronze anodized finish only. Multi track thermally broken frame and sill is available in raised sill with no riser, 1 1/8" riser and 1 1/2" riser.

### Metal Clad Color Spectrum

All palette colors including anodized.

## Specifications

### Standards

Most units have been tested by an independent laboratory for air and water infiltration, structural performance and thermal performance.

### Panel

Manufactured from Coastal Douglas Fir kiln-dried lumber. The entire Loewen product line is also available in optional Mahogany.

### Preservative Treated

All wood parts are dipped in approved low VOC preservative.

### Door Panels

Opening panel is equipped with two sets of adjustable ball bearing tandem rollers. Sash is 2 1/4" (58 mm) thick for extra strength and durability.

### Glazing

With countless glazing configurations and LowE coating options, we ensure that you can choose the perfect blend of protection and comfort.

### Insulating Glass

Double or triple insulating tempered glass configuration, with 1/2" (13 mm) airspace.

### LowE® Systems

LowE best describes the benefits of the product that incorporates glazing coatings and Argon gas. LowE systems help reduce heating and cooling costs, providing superior energy efficiency.

### Simulated Divided Lites (SDL)

Standard SDL complete with airspace grilles. Grille bars are permanently applied to the interior and exterior.

### Sample Configurations

STACKING	POCKETED
0XX	PXX
0XXX	PXXX
0XXXX	PXXXX
0XXXXXX	PXXXXXX
0X - X0	PXX - XXP
0XX - XX0	PXXX - XXXP
0XXX - XXX0	PXXXX - XXXXP

X = Operating    0=Fixed    P=Pocket

### Standard Features

- Stacking: 8 panels max (left or right in a single direction)
- Bi-Parting: 4 panels left, 4 panels right (8 in total)
- Pocket: max 8 panels stacking or bi-parting



Flush handle

Exterior pull

Multipoint handle system

### Metal Cladding

Heavy duty exterior metal cladding comprised of extruded aluminum is available in a variety of palette colors. Interiors of door are natural wood, unfinished or primed. Metal clad units are supplied ready-to-install complete with optional metal nailing flange.

### Sill Track

Extruded metal sill with stainless steel cap over operating track for ease of operation and long-lasting performance. An internal weep system with drainage holes keeps water out of the interior trough.

### Hardware

Multi-point locking hardware, in patio and flush handle styles. The locking hardware is also available in several optional finishes. Stainless steel roller assemblies are optional.

## Multislide Narrow Stile Stacking

		Width																						
Rough Opening																								
	System																							
	Panel																							
	Jamb																							
R.O.		48 3/16 [1224]	69 3/8 [1762]	72 1/8 [1859]	105 1/4 [2674]	138 7/16 [3517]	171 9/16 [4358]	204 3/4 [5201]	237 7/8 [6042]	271 [6884]	120 3/16 [3052]	177 5/16 [4504]	234 1/2 [5957]	289" [7341]										
		47 3/16 [1199]	68 3/8 [1737]	71 1/8 [1807]	104 1/4 [2649]	137 7/16 [3492]	170 9/16 [4333]	203 3/4 [5176]	236 7/8 [6017]	270 [6859]	119 3/16 [3027]	176 5/16 [4479]	233 1/2 [5932]	288 [7315]										
		24 [610]	24 [610]	36 [914]	36 [914]	36 [914]	36 [914]	36 [914]	36 [914]	36 [914]	60 [1524]	60 [1524]	60 [1524]	59 7/16 [1510]										
		7 3/8 [188]	10 3/8 [264]	7 3/8 [188]	10 3/8 [264]	13 3/8 [340]	16 3/8 [416]	19 3/8 [492]	22 3/8 [569]	25 3/8 [645]	7 3/8 [188]	10 3/8 [264]	13 3/8 [340]	16 3/8 [416]										
39 1/8 [994]	38 5/8 [981]	36 [914]		OxXO	OXXXXO	OxXO	OXXXO	OXXX	OXXX	OXXXX	OXXXXX	OXXXXXX	OXXXXXX	OxXO	OXXXXO	OXXX	OXXX	OXXXO	OXXX	OXXXO	OXXX	OXXXO	OXXX	OXXXO
63 1/8 [1604]	62 5/8 [1591]	60 [1524]		OxXO	OXXXXO	OxXO	OXXXXO	OXXX	OXXX	OXXXX	OXXXXX	OXXXXXX	OXXXXXX	OxXO	OXXXXO	OXXX	OXXX	OXXXO	OXXX	OXXXO	OXXX	OXXXO	OXXX	OXXXO
87 3/16 [2214]	86 11/16 [2201]	84 [2134]				OxXO	OXXXO	OXXX	OXXX	OXXXX	OXXXXX	OXXXXXX	OXXXXXX	OxXO	OXXXXO	OXXX	OXXX	OXXXO	OXXX	OXXXO	OXXX	OXXXO	OXXX	OXXXO
99 1/8 [2518]	98 5/8 [2438]	96 [2438]				OxXO	OXXXXO	OXXX	OXXX	OXXXX	OXXXXX	OXXXXXX	OXXXXXX	OxXO	OXXXXO	OXXX	OXXX	OXXXO	OXXX	OXXXO	OXXX	OXXXO	OXXX	OXXXO
111 1/8 [2823]	110 5/8 [2810]	108 [2743]				OxXO	OXXXXO	OXXX	OXXX	OXXXX	OXXXXX	OXXXXXX	OXXXXXX	OxXO	OXXXXO	OXXX	OXXX	OXXXO	OXXX	OXXXO	OXXX	OXXXO	OXXX	OXXXO
123 1/8 [3128]	122 5/8 [3115]	120 [3048]				OxXO	OXXXXO	OXXX	OXXX	OXXXX	OXXXXX	OXXXXXX	OXXXXXX	OxXO	OXXXXO	OXXX	OXXX	OXXXO	OXXX	OXXXO	OXXX	OXXXO	OXXX	OXXXO

- Minimum Panel Dimensions - 2' x 3'
- Minimum Panel Dimensions - 5' x 10'
- Maximum System Width - 24'

**Note:**

- O = Fixed
- X = Operating
- P = Pocketing
- The preparation of the rough opening for large openings such as those required by, but not limited to, LiftSlide, Bifold and MultiSlide doors have unique requirements. Structural headers that allow for deflection no greater than 1/8" along the unsupported length once the header is fully loaded are required. Special care needs to be taken when installing any unit including transoms above such large opening units.
- Loewen is not responsible for site measurements or the determination of structural and architectural requirements for the installation of large opening products such as but not limited to, LiftSlide, Bifold and MultiSlide doors. Site specifications are the responsibility of building professionals or engineers to determine.

## Multislide Wide Stile Stacking

		Width																						
Rough Opening																								
	System																							
	Panel																							
	Jamb																							
R.O.		46 5/8 [1184]	66 1/4 [1683]	70 5/8 [1794]	102 1/4 [2597]	133 7/8 [3401]	165 1/2 [4204]	197 3/16 [5008]	228 3/4 [5811]	260 7/16 [6614]	118 5/8 [3013]	174 1/4 [4426]	229 7/8 [5839]	285 1/2 [7252]										
		45 5/8 [1159]	65 1/4 [1658]	69 5/8 [1769]	101 1/4 [2572]	132 7/8 [3375]	164 1/2 [4179]	196 3/16 [4982]	227 3/4 [5786]	259 7/16 [6589]	117 5/8 [2988]	173 1/4 [4401]	228 7/8 [5814]	284 1/2 [7227]										
		24 [610]	24 [610]	36 [914]	36 [914]	36 [914]	36 [914]	36 [914]	36 [914]	36 [914]	60 [1524]	60 [1524]	60 [1524]	60 [1524]										
		7 3/8 [188]	10 3/8 [264]	7 3/8 [188]	10 3/8 [264]	13 3/8 [340]	16 3/8 [416]	19 3/8 [492]	22 3/8 [569]	25 3/8 [645]	7 3/8 [188]	10 3/8 [264]	13 3/8 [340]	16 3/8 [416]										
39 1/8 [994]	38 5/8 [981]	36 [914]		OxXO	OXXXXO	OxXO	OXXXXO	OXXX	OXXX	OXXXX	OXXXXX	OXXXXXX	OXXXXXX	OxXO	OXXXXO	OXXX	OXXX	OXXXO	OXXX	OXXXO	OXXX	OXXXO	OXXX	OXXXO
63 1/8 [1604]	62 5/8 [1591]	60 [1524]		OxXO	OXXXXO	OxXO	OXXXXO	OXXX	OXXX	OXXXX	OXXXXX	OXXXXXX	OXXXXXX	OxXO	OXXXXO	OXXX	OXXX	OXXXO	OXXX	OXXXO	OXXX	OXXXO	OXXX	OXXXO
87 3/16 [2214]	86 11/16 [2201]	84 [2134]				OxXO	OXXXXO	OXXX	OXXX	OXXXX	OXXXXX	OXXXXXX	OXXXXXX	OxXO	OXXXXO	OXXX	OXXX	OXXXO	OXXX	OXXXO	OXXX	OXXXO	OXXX	OXXXO
99 1/8 [2518]	98 5/8 [2505]	96 [2438]				OxXO	OXXXXO	OXXX	OXXX	OXXXX	OXXXXX	OXXXXXX	OXXXXXX	OxXO	OXXXXO	OXXX	OXXX	OXXXO	OXXX	OXXXO	OXXX	OXXXO	OXXX	OXXXO
111 1/8 [2823]	110 5/8 [2810]	108 [2743]				OxXO	OXXXXO	OXXX	OXXX	OXXXX	OXXXXX	OXXXXXX	OXXXXXX	OxXO	OXXXXO	OXXX	OXXX	OXXXO	OXXX	OXXXO	OXXX	OXXXO	OXXX	OXXXO
123 1/8 [3128]	122 5/8 [3115]	120 [3048]				OxXO	OXXXXO	OXXX	OXXX	OXXXX	OXXXXX	OXXXXXX	OXXXXXX	OxXO	OXXXXO	OXXX	OXXX	OXXXO	OXXX	OXXXO	OXXX	OXXXO	OXXX	OXXXO

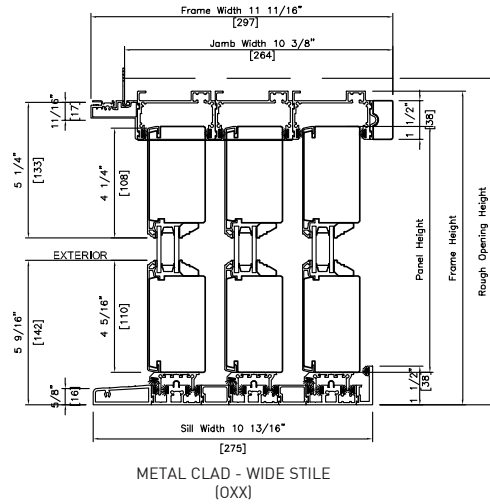
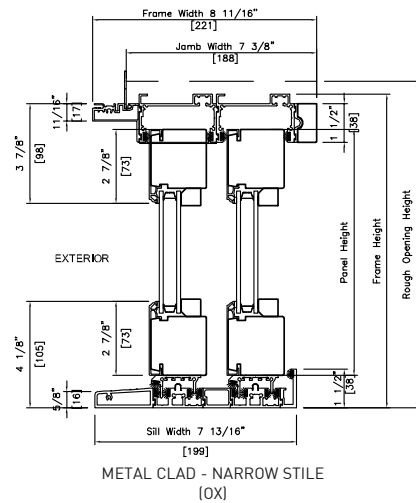
- Minimum Panel Dimensions - 2' x 3'
- Minimum Panel Dimensions - 5' x 10'
- Maximum System Width - 24'

**Note:**

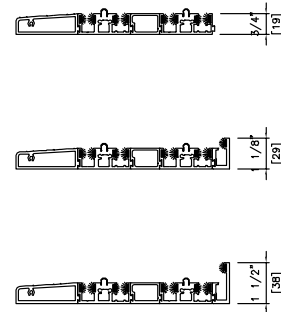
- O = Fixed
- X = Operating
- P = Pocketing
- The preparation of the rough opening for large openings such as those required by, but not limited to, LiftSlide, Bifold and MultiSlide doors have unique requirements. Structural headers that allow for deflection no greater than 1/8" along the unsupported length once the header is fully loaded are required. Special care needs to be taken when installing any unit including transoms above such large opening units.
- Loewen is not responsible for site measurements or the determination of structural and architectural requirements for the installation of large opening products such as but not limited to, LiftSlide, Bifold and MultiSlide doors. Site specifications are the responsibility of building professionals or engineers to determine.

# Multislide Stacking Door Detail

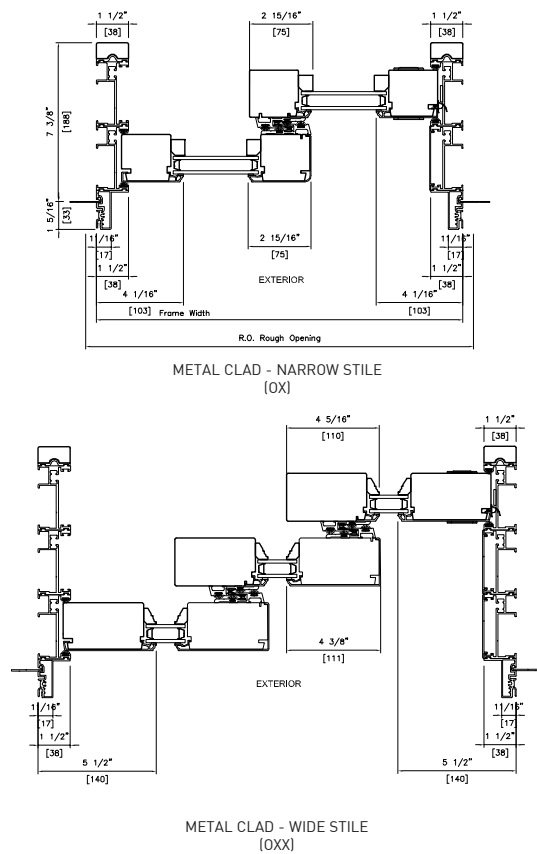
## Head & Sill Detail



## Optional Risers

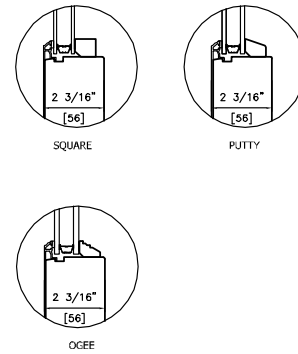


## Plan View

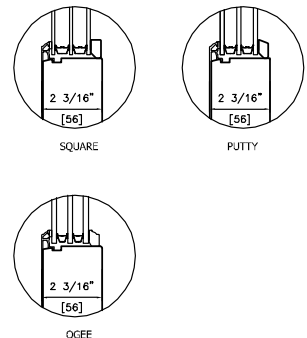


## Glazing Stop Profiles

### Double



### Triple



# Multislide Narrow Stile - Stacking With Pocket

Width

Rough Opening	Width														289 [7341]		
	52 15/16 [1344]	74 1/8 [1883]	76 7/8 [1953]	110 [2795]	143 3/16 [3636]	176 5/16 [4478]	209 7/16 [5320]	242 5/8 [6162]	275 3/4 [7004]	289 [7341]	124 7/8 [3172]	182 1/16 [4625]	239 1/4 [6076]				
<b>System</b>	51 15/16 [1319]	71 9/16 [1818]	75 7/8 [1927]	109 [2769]	142 3/16 [3611]	175 5/16 [4533]	208 7/16 [5295]	241 5/8 [6137]	274 3/4 [6979]	288 [7215]	123 7/8 [3147]	181 1/16 [4599]	238 1/4 [6051]	288 [7315]			
<b>R.O.</b>																	
<b>Framed Rough Opening</b>	27 7/8\"/>																
<b>Panel</b>	24 [610]	24 [610]	36 [914]	36 [914]	36 [914]	36 [914]	36 [914]	36 [914]	36 [914]	33 3/4 [858]	60 [1524]	60 [1524]	60 [1524]	58 1/2 [1487]			
<b>Pocket</b>	4 15/16 [125]	7 [178]	4 15/16 [125]	7 [178]	10 [254]	13 [330]	16 [406]	19 [483]	22 [559]	25 [635]	4 15/16 [125]	7 [178]	10 [254]	13 [330]			
<b>Jamb</b>	4 3/8 [111]	7 3/8 [187]	4 3/8 [111]	7 3/8 [188]	10 3/8 [264]	13 3/8 [340]	16 3/8 [416]	19 3/8 [492]	22 3/8 [569]	25 3/8 [645]	4 3/8 [111]	7 3/8 [187]	10 3/8 [264]	13 3/8 [340]			
39 1/8 [994]	38 5/8 [981]	36 [914]		PX XP	PXX XXP	PXP	PXXXP	PXXX XXXP	PXXXX XXXXP	PXXXXX XXXXXP	PXXXXXX XXXXXXP	PXXXXXX XXXXXXP	PXXXXXX XXXXXXP	PXXXX XXXP	PXXXX XXXP	PXXXX XXXP	PXXXX XXXP
63 1/8 [1604]	62 5/8 [1591]	60 [1524]		PX XP	PXX XXP	PXP	OXX XO	PXXX XXXP	PXXXX XXXXP	PXXXXX XXXXXP	PXXXXXX XXXXXXP	PXXXXXX XXXXXXP	PXXXXXX XXXXXXP	PXXXX XXXP	PXXXX XXXP	PXXXX XXXP	PXXXX XXXP
87 3/16 [2214]	86 11/16 [2201]	84 [2134]					PXP	OXX XO	PXXX XXXP	PXXXX XXXXP	PXXXXX XXXXXP	PXXXXXX XXXXXXP	PXXXXXX XXXXXXP	PXXXX XXXP	PXXXX XXXP	PXXXX XXXP	PXXXX XXXP
99 1/8 [2518]	98 5/8 [2505]	96 [2438]					PXP	OXX XO	PXXX XXXP	PXXXX XXXXP	PXXXXX XXXXXP	PXXXXXX XXXXXXP	PXXXXXX XXXXXXP	PXXXX XXXP	PXXXX XXXP	PXXXX XXXP	PXXXX XXXP
111 1/8 [2823]	110 5/8 [2810]	108 [2743]					PXP	OXX XO	PXXX XXXP	PXXXX XXXXP	PXXXXX XXXXXP	PXXXXXX XXXXXXP	PXXXXXX XXXXXXP	PXXXX XXXP	PXXXX XXXP	PXXXX XXXP	PXXXX XXXP
123 1/8 [3128]	122 5/8 [3115]	120 [3048]					PXP	OXX XO	PXXX XXXP	PXXXX XXXXP	PXXXXX XXXXXP	PXXXXXX XXXXXXP	PXXXXXX XXXXXXP	PXXXX XXXP	PXXXX XXXP	PXXXX XXXP	PXXXX XXXP

Height

- Minimum Panel Dimensions - 2' x 3'
- Minimum Panel Dimensions - 5' x 10'
- Maximum System Width - 24'

- Note:
- Drawings shown are typical details.
  - Additional sizes and configurations available.
  - Screen options may be available depending on size and configuration.
  - All dimensions to have +/- 1/16" (2 mm) tolerance.
  - O = Fixed
  - X = Operating
  - P = Pocketing
  - The preparation of the rough opening for large openings such as those required by, but not limited to, LiftSlide, Bifold and MultiSlide doors have unique requirements. Structural headers that allow for deflection no greater than 1/8" along the unsupported length once the header is fully loaded are required. Special care needs to be taken when installing any unit including transoms above such large opening units.
  - Loewen is not responsible for site measurements or the determination of structural and architectural requirements for the installation of large opening products such as but not limited to, LiftSlide, Bifold and MultiSlide doors. Site specifications are the responsibility of building professionals or engineers to determine.

- Note:
- O = Fixed
  - X = Operating
  - P = Pocketing
  - The preparation of the rough opening for large openings such as those required by, but not limited to, LiftSlide, Bifold and MultiSlide doors have unique requirements. Structural headers that allow for deflection no greater than 1/8" along the unsupported length once the header is fully loaded are required. Special care needs to be taken when installing any unit including transoms above such large opening units.
  - Loewen is not responsible for site measurements or the determination of structural and architectural requirements for the installation of large opening products such as but not limited to, LiftSlide, Bifold and MultiSlide doors. Site specifications are the responsibility of building professionals or engineers to determine.

# Multislide Wide Stile - Stacking With Pocket

Width

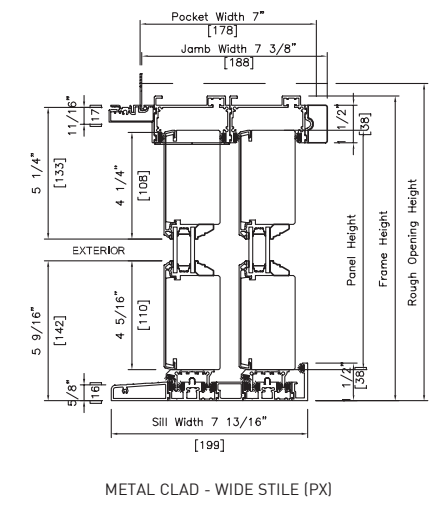
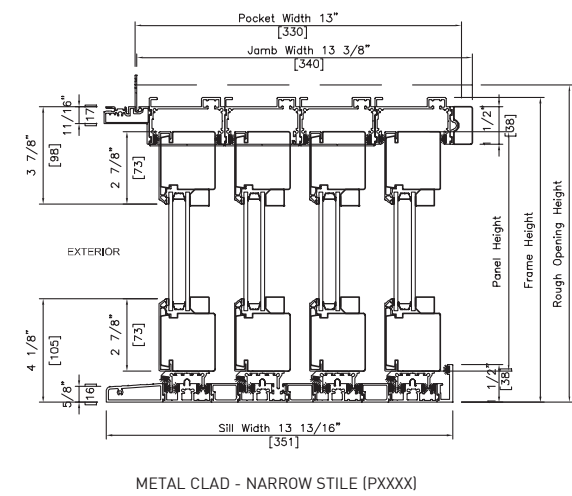
R.O	Rough Opening	52 15/16 [1344]	72 9/16 [1844]	76 7/8 [1953]	108 1/2 [2756]	140 1/8 [3560]	176 5/16 [4478]	203 3/8 [5166]	235 1/16 [5970]	266 11/16 [6774]	289 7/8 [7341]	124 7/8 [3172]	180 9/16 [4586]	236 3/16 [6000]	289 7/8 [7341]
	System	51 15/16 [1319]	71 9/16 [1818]	75 7/8 [1927]	107 1/2 [2730]	139 1/8 [3534]	175 5/16 [4533]	202 3/8 [5141]	234 1/16 [5945]	265 11/16 [6748]	288" 7/8 [7315]	123 7/8 [3147]	179 9/16 [4560]	235 3/16 [5974]	288 7/8 [7315]
	Framed Rough Opening	27 7/8 [709]	47 9/16 [1208]	39 7/8 [1013]	71 1/2 [1816]	103 1/8 [2620]	139 1/16 [3539]	166 3/8 [4226]	198 1/16 [5030]	229 11/16 [5834]	253 63 7/8 [6457]	119 1/2 [3036]	175 3/16 [4450]	228 9/16	228 9/16
	Panel	24 [610]	24 [610]	36 [914]	36 [914]	36 [914]	36 [914]	36 [914]	36 [914]	36 [914]	34 15/16 [858]	60 [1524]	60 [1524]	60 [1524]	59 7/16 [1510]
	Pocket	4 15/16 [125]	7 [178]	4 15/16 [125]	7 [178]	10 [254]	13 [330]	16 [406]	19 [483]	22 [559]	25 [635]	4 15/16 [125]	7 [178]	10 [254]	13 [330]
Jamb	4 3/8 [111]	7 3/8 [187]	4 3/8 [111]	7 3/8 [188]	10 3/8 [264]	13 3/8 [340]	16 3/8 [416]	19 3/8 [492]	22 3/8 [569]	25 3/8 [645]	4 3/8 [111]	7 3/8 [187]	10 3/8 [264]	13 3/8 [340]	
39 1/8 [994]	38 5/8 [981]	36 [914]	PX XP	PXX XXP	PXP	PXXXP	PXXX XXXP	PXXXX XXXXP	PXXXXX XXXXXP	PXXXXXX XXXXXXP	PXXXXXXX XXXXXXXP	PXXXXXXX XXXXXXXP	PXXXXXXX XXXXXXXP	PXXXXXXX XXXXXXXP	PXXXXXXX XXXXXXXP
63 1/8 [1604]	62 5/8 [1591]	60 [1524]	PX XP	PXX XXP	PXP	PXXXP	PXXX XXXP	PXXXX XXXXP	PXXXXX XXXXXP	PXXXXXX XXXXXXP	PXXXXXXX XXXXXXXP	PXXXXXXX XXXXXXXP	PXXXXXXX XXXXXXXP	PXXXXXXX XXXXXXXP	PXXXXXXX XXXXXXXP
87 3/16 [2214]	86 11/16 [2201]	84 [2134]			PXP	PXXXP	PXXX XXXP	PXXXX XXXXP	PXXXXX XXXXXP	PXXXXXX XXXXXXP	PXXXXXXX XXXXXXXP	PXXXXXXX XXXXXXXP	PXXXXXXX XXXXXXXP	PXXXXXXX XXXXXXXP	PXXXXXXX XXXXXXXP
99 1/8 [2518]	98 5/8 [2505]	96 [2438]			PXP	PXXXP	PXXX XXXP	PXXXX XXXXP	PXXXXX XXXXXP	PXXXXXX XXXXXXP	PXXXXXXX XXXXXXXP	PXXXXXXX XXXXXXXP	PXXXXXXX XXXXXXXP	PXXXXXXX XXXXXXXP	PXXXXXXX XXXXXXXP
111 1/8 [2823]	110 5/8 [2810]	108 [2743]			PXP	PXXXP	PXXX XXXP	PXXXX XXXXP	PXXXXX XXXXXP	PXXXXXX XXXXXXP	PXXXXXXX XXXXXXXP	PXXXXXXX XXXXXXXP	PXXXXXXX XXXXXXXP	PXXXXXXX XXXXXXXP	PXXXXXXX XXXXXXXP
123 1/8 [3128]	122 5/8 [3115]	120 [3048]			PXP	PXXXP	PXXX XXXP	PXXXX XXXXP	PXXXXX XXXXXP	PXXXXXX XXXXXXP	PXXXXXXX XXXXXXXP	PXXXXXXX XXXXXXXP	PXXXXXXX XXXXXXXP	PXXXXXXX XXXXXXXP	PXXXXXXX XXXXXXXP

- Minimum Panel Dimensions - 2' x 3'
- Minimum Panel Dimensions - 5' x 10'
- Maximum System Width - 24'

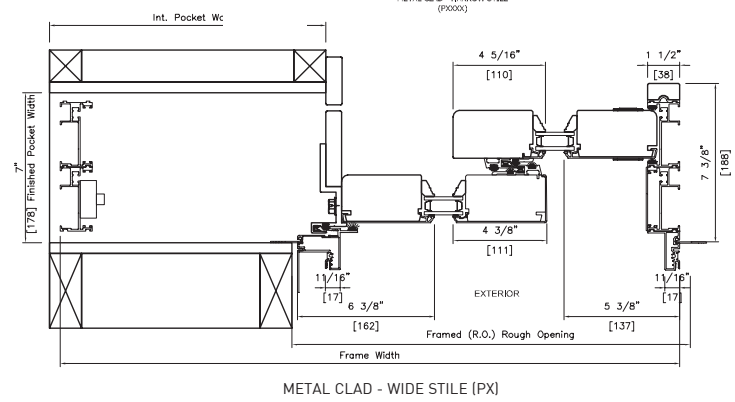
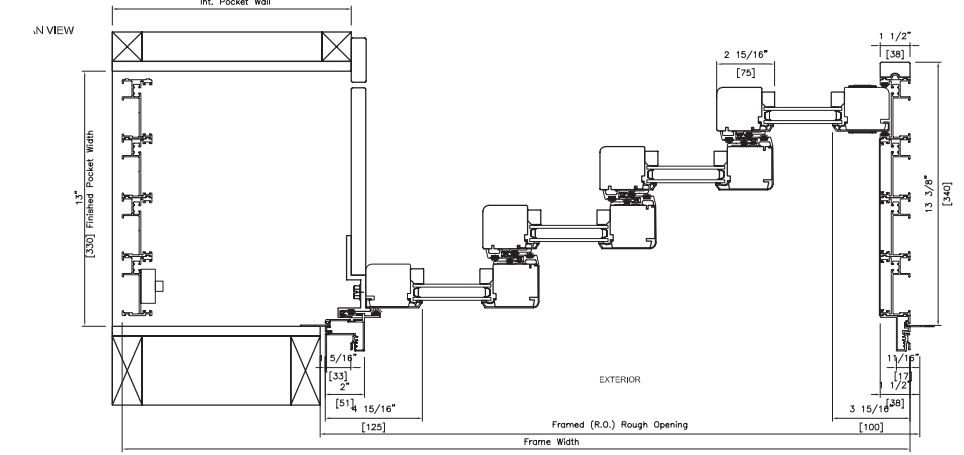
Note: O = Fixed, X = Operating, P = Pocketing. The preparation of the rough opening for large openings such as those required by, but not limited to, LiftSlide, Bifold and MultiSlide doors have unique requirements. Structural headers that allow for deflection no greater than 1/8" along the unsupported length once the header is fully loaded are required. Special care needs to be taken when installing any unit including transoms above such large opening units. Loewen is not responsible for site measurements or the determination of structural and architectural requirements for the installation of large opening products such as but not limited to, LiftSlide, Bifold and MultiSlide doors. Site specifications are the responsibility of building professionals or engineers to determine.

# Multislide Stacking With Pocket Door Detail

## Head & Sill Detail



## Plan View



- Note:
- Drawings shown are typical details.
  - Additional sizes and configurations available.
  - Screen options may be available depending on size and configuration.
  - All dimensions to have +/- 1/16" (2 mm) tolerance.
  - O = Fixed
  - X = Operating
  - P = Pocketing
  - The preparation of the rough opening for large openings such as those required by, but not limited to, LiftSlide, Bifold and MultiSlide doors have unique requirements. Structural headers that allow for deflection no greater than 1/8" along the unsupported length once the header is fully loaded are required. Special care needs to be taken when installing any unit including transoms above such large opening units.
  - Loewen is not responsible for site measurements or the determination of structural and architectural requirements for the installation of large opening products such as but not limited to, LiftSlide, Bifold and MultiSlide doors. Site specifications are the responsibility of building professionals or engineers to determine.

## Multislide Narrow Stile - Bi-Parting

		Width								
R.O	Rough Opening	93 7/8 [2384]	136 3/16 [3459]	141 3/4 [3600]	208 [5283]	274 5/16 [6967]	237 13/16 [6040]	289 [7341]		
	System	92 7/8 [2359]	135 3/16 [3434]	140 3/4 [3575]	207 [5258]	273 5/16 [6942]	236 13/16 [6015]	288 [7315]		
	Panel	24 [610]	24 [610]	36 [914]	36 [914]	36 [914]	60 [1524]	49 1/2 [1257]		
	Jamb	7 3/8 [188]	10 3/8 [264]	7 3/8 [188]	10 3/8 [264]	13 3/8 [340]	7 3/8 [188]	10 3/8 [264]		
Height	39 1/8 [994]	38 5/8 [981]	36 [914]	OX-XO	OXX-XXO	OX-XO	OXX-XXO	OXXX-XXXO	OX-XO	OXX-XXO
	63 1/8 [1604]	62 5/8 [1591]	60 [1524]	OX-XO	OXX-XXO	OX-XO	OXX-XXO	OXXX-XXXO	OX-XO	OXX-XXO
	87 3/16 [2214]	86 11/16 [2201]	84 [2134]			OX-XO	OXX-XXO	OXXX-XXXO	OX-XO	OXX-XXO
	99 1/8 [2518]	98 5/8 [2505]	96 [2438]			OX-XO	OXX-XXO	OXXX-XXXO	OX-XO	OXX-XXO
	111 1/8 [2823]	110 5/8 [2810]	108 [2743]			OX-XO	OXX-XXO	OXXX-XXXO	OX-XO	OXX-XXO
	123 1/8 [3128]	122 5/8 [3115]	120 [3048]			OX-XO	OXX-XXO	OXXX-XXXO	OX-XO	OXX-XXO

- Minimum Panel Dimensions - 2' x 3'
- Minimum Panel Dimensions - 5' x 10'
- Maximum System Width - 24'

**Note:**

- O = Fixed
- X = Operating
- P = Pocketing
- The preparation of the rough opening for large openings such as those required by, but not limited to, LiftSlide, Bifold and MultiSlide doors have unique requirements. Structural headers that allow for deflection no greater than 1/8" along the unsupported length once the header is fully loaded are required. Special care needs to be taken when installing any unit including transoms above such large opening units.
- Loewen is not responsible for site measurements or the determination of structural and architectural requirements for the installation of large opening products such as but not limited to, LiftSlide, Bifold and MultiSlide doors. Site specifications are the responsibility of building professionals or engineers to determine.

## Multislide Wide Stile - Bi-Parting

		Width								
R.O	Rough Opening	90 13/16 [2307]	129 15/16 [3301]	138 11/16 [3523]	201 15/16 [5129]	264 3/16 [6736]	234 3/4 [5963]	289 [7341]		
	System	89 13/16 [2281]	128 15/16 [3434]	137 11/16 [3497]	200 15/16 [5104]	263 3/16 [6711]	233 3/4 [5937]	288 [7315]		
	Panel	24 [610]	24 [610]	36 [914]	36 [914]	36 [914]	60 [1524]	50 1/2 [1283]		
	Jamb	7 3/8 [188]	10 3/8 [264]	7 3/8 [188]	10 3/8" [264]	13 3/8 [340]	7 3/8 [188]	10 3/8 [264]		
Height	39 1/8 [994]	38 5/8 [981]	36 [914]	OX-XO	OXX-XXO	OX-XO	OXX-XXO	OXXX-XXXO	OX-XO	OXX-XXO
	63 1/8 [1604]	62 5/8 [1591]	60 [1524]	OX-XO	OXX-XXO	OX-XO	OXX-XXO	OXXX-XXXO	OX-XO	OXX-XXO
	87 3/16 [2214]	86 11/16 [2201]	84 [2134]			OX-XO	OXX-XXO	OXXX-XXXO	OX-XO	OXX-XXO
	99 1/8 [2518]	98 5/8 [2505]	96 [2438]			OX-XO	OXX-XXO	OXXX-XXXO	OX-XO	OXX-XXO
	111 1/8 [2823]	110 5/8 [2810]	108 [2743]			OX-XO	OXX-XXO	OXXX-XXXO	OX-XO	OXX-XXO
	123 1/8 [3128]	122 5/8 [3115]	120 [3048]			OX-XO	OXX-XXO	OXXX-XXXO	OX-XO	OXX-XXO

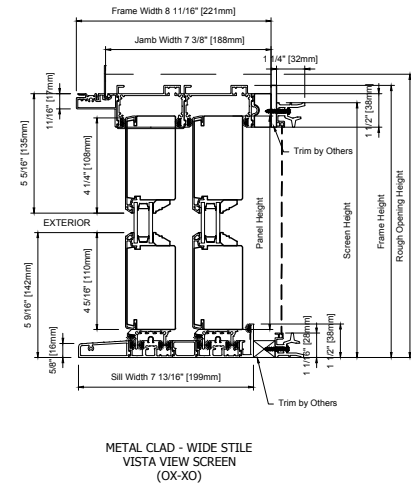
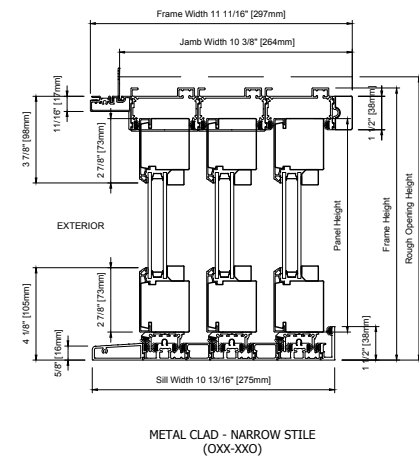
- Minimum Panel Dimensions - 2' x 3'
- Minimum Panel Dimensions - 5' x 10'
- Maximum System Width - 24'

**Note:**

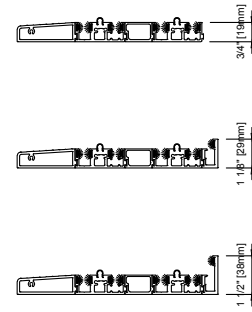
- O = Fixed
- X = Operating
- P = Pocketing
- The preparation of the rough opening for large openings such as those required by, but not limited to, LiftSlide, Bifold and MultiSlide doors have unique requirements. Structural headers that allow for deflection no greater than 1/8" along the unsupported length once the header is fully loaded are required. Special care needs to be taken when installing any unit including transoms above such large opening units.
- Loewen is not responsible for site measurements or the determination of structural and architectural requirements for the installation of large opening products such as but not limited to, LiftSlide, Bifold and MultiSlide doors. Site specifications are the responsibility of building professionals or engineers to determine.

# Multislide Bi-Parting Door Detail

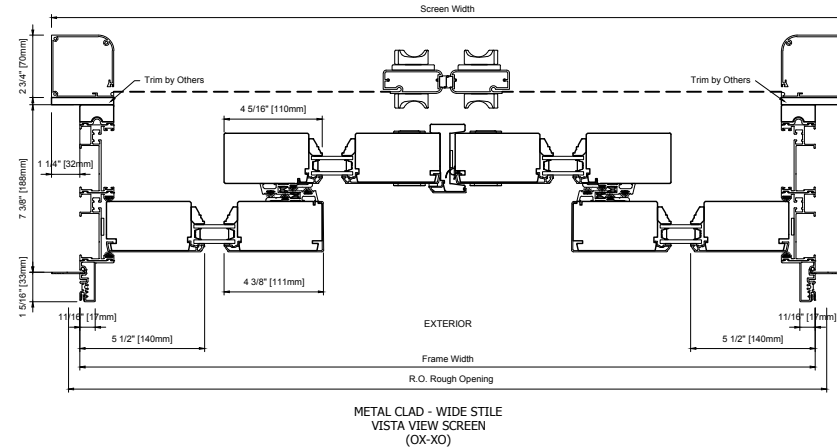
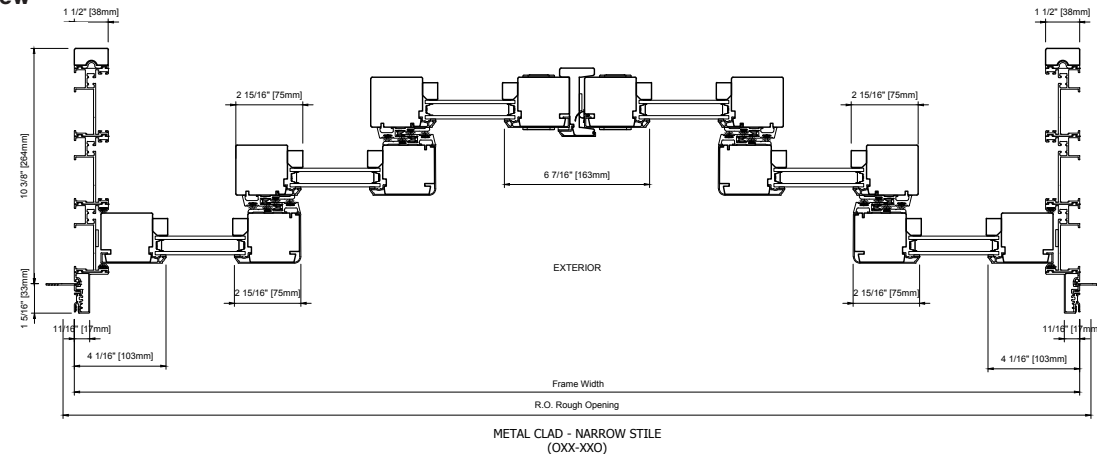
## Head & Sill Detail



## Optional Risers



## Plan View



- Note:
- Drawings shown are typical details.
  - Additional sizes and configurations available.
  - Screen options may be available depending on size and configuration.
  - All dimensions to have +/- 1/16" (2 mm) tolerance.
  - O = Fixed
  - X = Operating
  - P = Pocketing
  - The preparation of the rough opening for large openings such as those required by, but not limited to, LiftSlide, Bifold and MultiSlide doors have unique requirements. Structural headers that allow for deflection no greater than 1/8" along the unsupported length once the header is fully loaded are required. Special care needs to be taken when installing any unit including transoms above such large opening units.
  - Loewen is not responsible for site measurements or the determination of structural and architectural requirements for the installation of large opening products such as but not limited to, LiftSlide, Bifold and MultiSlide doors. Site specifications are the responsibility of building professionals or engineers to determine.

# Multislide Narrow Stile - Bi-Parting With Pocket

## Width

Rough Opening		103 1/4 [2623]	145 5/8 [3699]	151 1/8 [3839]	217 7/16 [5523]	283 3/4 [7207]	289 [7341]	247 3/16 [6279]	289 [7341]		
	System	102 1/4 [2597]	144 5/8 [3673]	150 1/8 [3813]	216 7/16 [5497]	282 3/4 [7182]	288 [7315]	246 3/16 [6253]	288 [7315]		
	Framed Rough Opening	53 1/4 [1352]	95 9/16 [2428]	77 3/16 [1960]	143 7/16 [3644]	209 3/4 [5328]	227 1/4 [5772]	125 3/16 [3180]	191 3/16 [4856]		
	Panel	24 [610]	24 [610]	36 [914]	36 [914]	36 [914]	29 7/8 [759]	60 [1524]	47 15/16 [1217]		
			Pocket	4 15/16 [125]	7 [178]	4 15/16 [125]	7 [178]	10 [254]	13 [330]	4 15/16 [125]	7 [178]
	39 1/8 [994]	38 5/8 [981]	36 [914]	PX-XP	PXX-XXP	PX-XP	PXX-XXP	PXXX-XXXXP	PXXXX-XXXXP	PX-XP	PXX-XXP
	63 1/8 [1604]	62 5/8 [1591]	60 [1524]	PX-XP	PXX-XXP	PX-XP	PXX-XXP	PXXX-XXXXP	PXXXX-XXXXP	PX-XP	PXX-XXP
	87 3/16 [2214]	86 11/16 [2201]	84 [2134]			PX-XP	PXX-XXP	PXXX-XXXXP	PXXXX-XXXXP	PX-XP	PXX-XXP
	99 1/8 [2518]	98 5/8 [2505]	96 [2438]			PX-XP	PXX-XXP	PXXX-XXXXP	PXXXX-XXXXP	PX-XP	PXX-XXP
	111 1/8 [2823]	110 5/8 [2810]	108 [2743]			PX-XP	PXX-XXP	PXXX-XXXXP	PXXXX-XXXXP	PX-XP	PXX-XXP
	123 1/8 [3128]	122 5/8 [3115]	120 [3048]			PX-XP	PXX-XXP	PXXX-XXXXP	PXXXX-XXXXP	PX-XP	PXX-XXP

Height

- Minimum Panel Dimensions - 2' x 3'
- Minimum Panel Dimensions - 5' x 10'
- Maximum System Width - 24'

- Note:
- O = Fixed
  - X = Operating
  - P = Pocketing
  - The preparation of the rough opening for large openings such as those required by, but not limited to, LiftSlide, Bifold and MultiSlide doors have unique requirements. Structural headers that allow for deflection no greater than 1/8" along the unsupported length once the header is fully loaded are required. Special care needs to be taken when installing any unit including transoms above such large opening units.
  - Loewen is not responsible for site measurements or the determination of structural and architectural requirements for the installation of large opening products such as but not limited to, LiftSlide, Bifold and MultiSlide doors. Site specifications are the responsibility of building professionals or engineers to determine.

# Multislide Wide Stile - Bi-Parting With Pocket

		Width									
R.O.	Rough Opening	103 1/4 [2623]	142 9/16 [3699]	151 1/8 [3839]	214 3/8 [5445]	277 3/16 [7041]	289 [7341]	247 3/16 [6279]	289 [7341]		
	System	102 1/4 [2597]	141 9/16 [3595]	150 1/8 [3813]	213 3/8 [5419]	276 3/16 [7015]	288 [7315]	246 3/16 [6253]	288 [7315]		
	Framed Rough Opening	53 1/4 [1352]	91 3/4 [2330]	77 3/16 [1960]	139 5/8 [3546]	203 1/4 [5162]	225 3/8 [5725]	125 3/16 [3180]	189 7/8 [4810]		
	Panel	24 [610]	24 [610]	36 [914]	36 [914]	36 [914]	30 3/16 [782]	60 [1524]	48 7/16 [1230]		
		Pocket	4 15/16 [125]	7 [178]	4 15/16 [125]	7 [178]	10 [254]	13 [330]	4 15/16 [125]	7 [178]	
39 1/8 [994]	38 5/8 [981]	36 [914]		PX-XP	PXX-XXP	PX-XP	PXX-XXP	PXXX-XXXXP	PXXX-XXXXP	PX-XP	PXX-XXP
63 1/8 [1604]	62 5/8 [1591]	60 [1524]		PX-XP	PXX-XXP	PX-XP	PXX-XXP	PXXX-XXXXP	PXXX-XXXXP	PX-XP	PXX-XXP
87 3/16 [2214]	86 11/16 [2201]	84 [2134]				PX-XP	PXX-XXP	PXXX-XXXXP	PXXX-XXXXP	PX-XP	PXX-XXP
99 1/8 [2518]	98 5/8 [2505]	96 [2438]				PX-XP	PXX-XXP	PXXX-XXXXP	PXXX-XXXXP	PX-XP	PXX-XXP
111 1/8 [2823]	110 5/8 [2810]	108 [2743]				PX-XP	PXX-XXP	PXXX-XXXXP	PXXX-XXXXP	PX-XP	PXX-XXP
123 1/8 [3128]	122 5/8 [3115]	120 [3048]				PX-XP	PXX-XXP	PXXX-XXXXP	PXXX-XXXXP	PX-XP	PXX-XXP

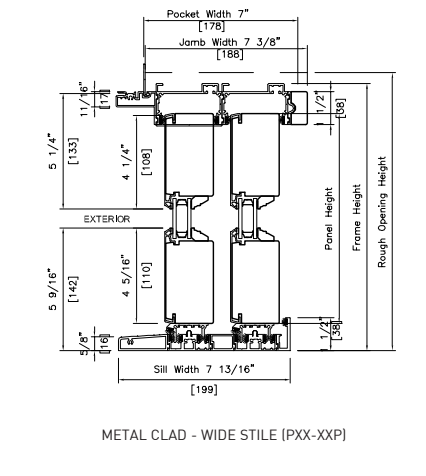
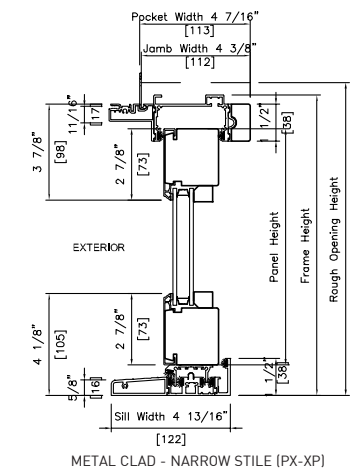
Height

- Minimum Panel Dimensions - 2' x 3'
- Minimum Panel Dimensions - 5' x 10'
- Maximum System Width - 24'

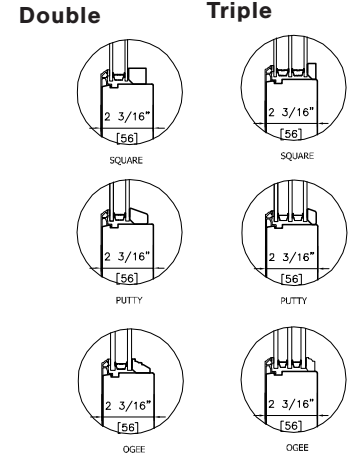
Note: O = Fixed, X = Operating, P = Pocketing. The preparation of the rough opening for large openings such as those required by, but not limited to, LiftSlide, Bifold and MultiSlide doors have unique requirements. Structural headers that allow for deflection no greater than 1/8" along the unsupported length once the header is fully loaded are required. Special care needs to be taken when installing any unit including transoms above such large opening units. Loewen is not responsible for site measurements or the determination of structural and architectural requirements for the installation of large opening products such as but not limited to, LiftSlide, Bifold and MultiSlide doors. Site specifications are the responsibility of building professionals or engineers to determine.

# Multislide Bi-Parting Door Detail

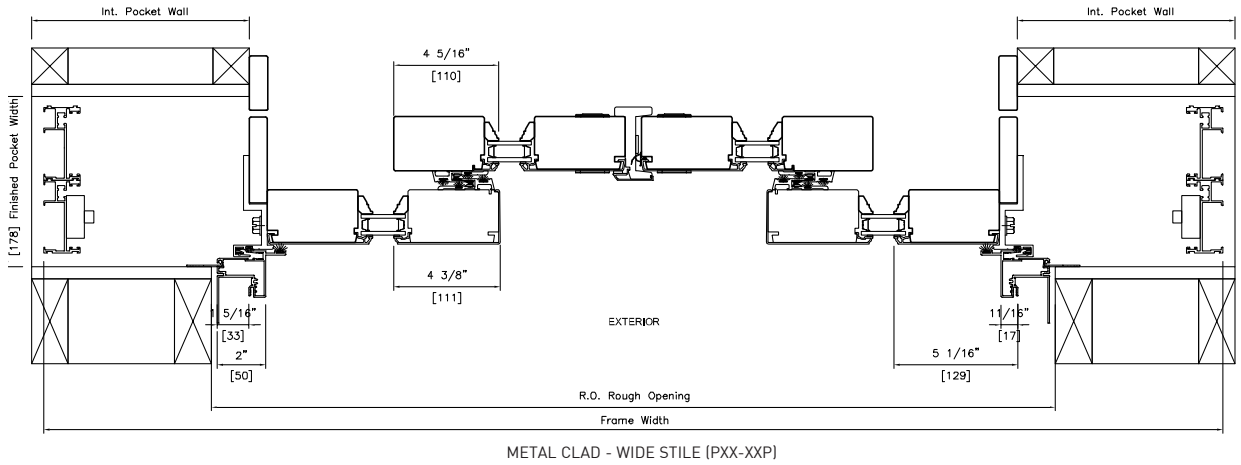
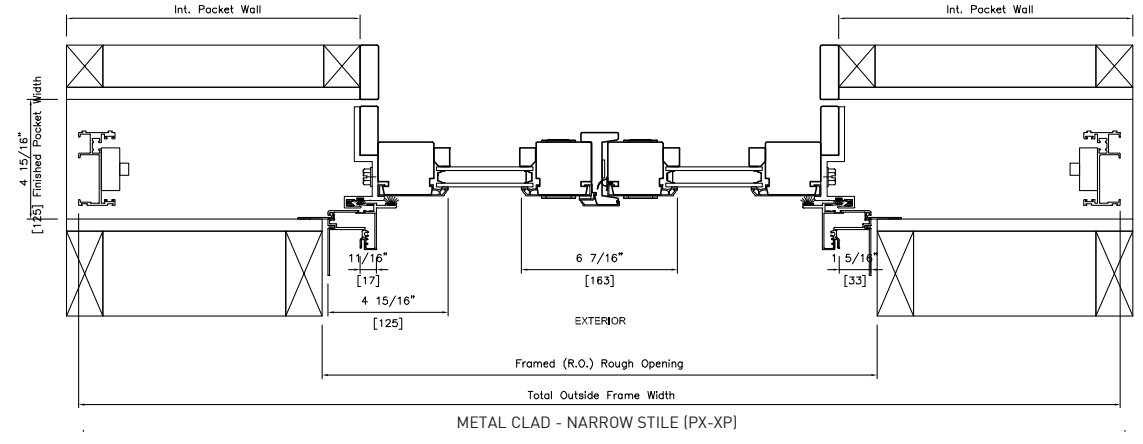
## Head & Sill Detail



## Glazing Stop Options



## Plan View



Note: Drawings shown are typical details. Additional sizes and configurations available. Screen options may be available depending on size and configuration. All dimensions to have +/- 1/16" (2 mm) tolerance. O = Fixed, X = Operating, P = Pocketing. The preparation of the rough opening for large openings such as those required by, but not limited to, LiftSlide, Bifold and MultiSlide doors have unique requirements. Structural headers that allow for deflection no greater than 1/8" along the unsupported length once the header is fully loaded are required. Special care needs to be taken when installing any unit including transoms above such large opening units. Loewen is not responsible for site measurements or the determination of structural and architectural requirements for the installation of large opening products such as but not limited to, LiftSlide, Bifold and MultiSlide doors. Site specifications are the responsibility of building professionals or engineers to determine.



