

Technical Guide D

Picture/Direct Set Windows



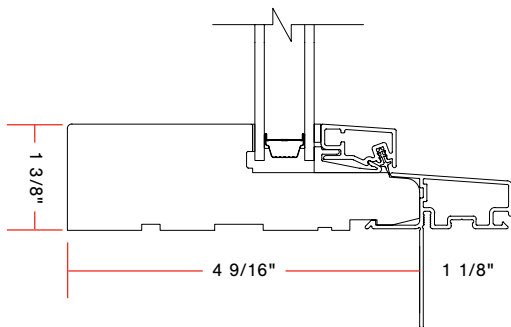
Series 36 Picture/ Direct Set Window

A streamlined solution for the modern contemporary market.

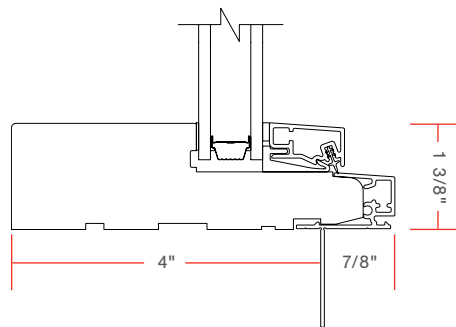
This Picture Window is a brilliant redesign from its predecessors. With a larger glass area for enhanced viewing and a clean interior free from glazing stops, this new design will be the perfect addition to any contemporary project.

Features

- Exterior glazed for easier installation of oversized glass
- No interior glazing stops creates a clean aesthetic
- Larger glass for increased energy efficiency
- Available with 7/8" frame cladding or 1 1/8" frame cladding



* Standard Frame Cladding



* Contemporary Frame Cladding



Exterior Glazed

No Interior Glazing Stops

1 1/8" Frame
Cladding Shown

Product Features

Standard Features

- Natural, clear Douglas Fir interior (no visible finger joints)
- 4 9/16" (116 mm) jamb construction
- LowE insulated glazing with 1/2" (13 mm) airspace
- Extruded aluminum cladding in a variety of standard colors, primed wood or clear fir exterior

Simulated Divided Lites (SDL)

Ogee Profile – 3/4" (19 mm), 1 1/8" (30 mm), 2" (51 mm).

Putty Profile – 5/8" (16 mm), 7/8" (22 mm), 1 1/8" (30 mm), 2" (51 mm).

Square Profile (interior only) – 3/4" (19 mm), 7/8" (22 mm), 1 1/8" (30 mm), 2" (51 mm).

Specifications

Standards

Most units have been tested by an independent laboratory for air and water infiltration, structural performance and thermal performance requirements.

Frame

Manufactured from Coastal Douglas Fir kiln-dried lumber with frame construction designed for 4 9/16" (116 mm) jamb. All wood exterior components are factory primed unless specified as clear exterior. Minor scratches or abrasions in the wood surface or primer are not considered defects.

Alternate Species

The entire Loewen product line is also available in optional Mahogany.

Preservative Treated

All wood parts are dipped in approved preservative.

Glazing

With countless glazing configurations and LowE coating options, we ensure that you can choose the perfect blend of protection and comfort.

Glazing

LowE Double, LowE Triple and StormForce™.

Casing

Wood: 2" (51 mm) Brickmould, 3 1/2" (89 mm) Flat, 5 1/2" (139 mm) Flat, Adams and Williamsburg.

Metal Clad: 2" (51 mm) Brickmould, 3 1/2" (89 mm) Flat, 2" clad frame extension, Nose & Cove, Adams, Williamsburg and Kerf.

Metal Clad Color Spectrum

All Palette colors, including anodized finishes. Available in Cyprium Collection™.

Insulating Glass

Double or triple glass configurations with 1/2" (13 mm) airspace.

LowE Systems

LowE best describes the benefits of the product that incorporates glazing coatings and Argon gas. LowE systems help reduce heating and cooling costs, providing superior energy efficiency.

Simulated Divided Lites (SDL)

Standard SDL complete with airspace grilles. Grille bars are permanently applied to the interior and exterior.

Metal Cladding

Heavy duty exterior metal cladding comprised of extruded aluminum is available in a variety of Palette colors, including anodized and Cyprium (copper and bronze cladding). Interior of window can be natural wood (unfinished) or primed. Metal clad units are supplied ready-to-install complete with integral metal nailing flange.



Picture/Direct Set

Picture/
Direct Set

VARIABLES

Durability

Low Maintenance Metal Clad Exterior	●
Clear Douglas Fir Exterior Finish	○
Clear Mahogany Exterior Finish	○
Primed Exterior Finish	○
Cyprium Collection	○

Performance

LowE Double	●
LowE Triple	○
StormForce™	○

Appearance

SDL	○
-----	---

● Standard ○ Optional

Picture/Direct Set Window Sizes

Rough Opening				Width											
				Frame				16 1/2 [419]	20 7/16 [519]	24 3/8 [619]	28 5/16 [719]	30 1/4 [769]	32 1/4 [819]	36 3/16 [919]	40 1/8 [1019]
				Wood Exterior	Metal Clad	Visible Glass	11 5/8 [296]	15 9/16 [396]	19 1/2 [496]	23 7/16 [596]	25 7/16 [646]	27 3/8 [696]	31 5/16 [796]	35 1/4 [896]	
13 1/4 [336]	12 9/16 [319]	11 13/16 [300]	7 11/16 [196]	PS1 0403	PS1 0503	PS1 0603	PS1 0703	PS1 7503	PS1 0803	PS1 0903	PS1 1003				
17 3/16 [436]	16 1/2 [419]	15 3/4 [400]	11 5/8 [296]	PS1 0404	PS1 0504	PS1 0604	PS1 0704	PS1 7504	PS1 0804	PS1 0904	PS1 1004				
21 1/8 [536]	20 7/16 [519]	19 11/16 [500]	15 9/16 [396]	PS1 0405	PS1 0505	PS1 0605	PS1 0705	PS1 7505	PS1 0805	PS1 0905	PS1 1005				
25 1/16 [636]	24 3/8 [619]	23 5/8 [600]	19 1/2 [496]	PS1 0406	PS1 0506	PS1 0606	PS1 0706	PS1 7506	PS1 0806	PS1 0906	PS1 1006				
29 [736]	28 5/16 [719]	27 9/16 [700]	23 7/16 [596]	PS1 0407	PS1 0507	PS1 0607	PS1 0707	PS1 7507	PS1 0807	PS1 0907	PS1 1007				
30 15/16 [786]	30 1/4 [769]	29 1/2 [750]	25 7/16 [646]	PS1 0475	PS1 0575	PS1 0675	PS1 0775	PS1 7575	PS1 0875	PS1 0975	PS1 1075				
32 15/16 [836]	32 1/4 [819]	31 1/2 [800]	27 3/8 [696]	PS1 0408	PS1 0508	PS1 0608	PS1 0708	PS1 7508	PS1 0808	PS1 0908	PS1 1008				
36 7/8 [936]	36 3/16 [919]	35 7/16 [900]	31 5/16 [796]	PS1 0409	PS1 0509	PS1 0609	PS1 0709	PS1 7509	PS1 0809	PS1 0909	PS1 1009				
40 13/16 [1036]	40 1/8 [1019]	39 3/8 [1000]	35 1/4 [896]	PS1 0410	PS1 0510	PS1 0610	PS1 0710	PS1 7510	PS1 0810	PS1 0910	PS1 1010				
48 11/16 [1236]	48 [1219]	47 1/4 [1200]	43 1/8 [1096]	PS1 0412	PS1 0512	PS1 0612	PS1 0712	PS1 7512	PS1 0812	PS1 0912	PS1 1012				
56 9/16 [1436]	55 7/8 [1419]	55 1/8 [1400]	51 [1296]	PS1 0414	PS1 0514	PS1 0614	PS1 0714	PS1 7514	PS1 0814	PS1 0914	PS1 1014				
60 1/2 [1536]	59 13/16 [1519]	59 1/16 [1500]	54 15/16 [1396]	PS1 0415	PS1 0515	PS1 0615	PS1 0715	PS1 7515	PS1 0815	PS1 0915	PS1 1015				
64 7/16 [1636]	63 3/4 [1619]	63 [1600]	58 7/8 [1496]	PS1 0416	PS1 0516	PS1 0616	PS1 0716	PS1 7516	PS1 0816	PS1 0916	PS1 1016				
72 5/16 [1836]	71 5/8 [1819]	70 7/8 [1800]	66 [1696]	PS1 0418	PS1 0518	PS1 0618	PS1 0718	PS1 7518	PS1 0818	PS1 0918	PS1 1018				
84 1/8 [2136]	83 7/16 [2119]	82 11/16 [2100]	78 9/16 [1996]	PS1 0421	PS1 0521	PS1 0621	PS1 0721	PS1 7521	PS1 0821	PS1 0921	PS1 1021				
95 15/16 [2436]	95 1/4 [2419]	94 1/2 [2400]	90 3/8 [2296]		PS1 0524	PS1 0624	PS1 0724	PS1 7524	PS1 0824	PS1 0924	PS1 1024				
119 9/16 [3036]	118 7/8 [3019]	118 1/8 [3000]	114 [2896]			PS1 0630	PS1 0730	PS1 7530	PS1 0830	PS1 0930	PS1 1030				

Product Code

Glass Size = Visible Glass + 15/16" (24 mm)

Standard sizes shown. Additional sizes may be available. Custom sizes can be ordered.

Note: • For Masonry opening information see Section A.

Picture/Direct Set Window Sizes

Rough Opening				Width											
				Frame				48 [1219]	55 7/8 [1419]	59 13/16 [1519]	63 3/4 [1619]	71 5/8 [1819]	83 7/16 [2119]	95 1/4 [2419]	118 7/8 [3019]
				Wood Exterior	Metal Clad	Visible Glass	47 1/4 [1200]	55 1/8 [1400]	59 1/16 [1500]	63 [1600]	70 7/8 [1800]	82 11/16 [2100]	94 1/2 [2400]	118 1/8 [3000]	
13 1/4 [336]	12 9/16 [319]	11 13/16 [300]	7 11/16 [196]	PS1 1203	PS1 1403	PS1 1503	PS1 1603	PS1 1803	PS1 2103						
17 3/16 [436]	16 1/2 [419]	15 3/4 [400]	11 5/8 [296]	PS1 1204	PS1 1404	PS1 1504	PS1 1604	PS1 1804	PS1 2104						
21 1/8 [536]	20 7/16 [519]	19 11/16 [500]	15 9/16 [396]	PS1 1205	PS1 1405	PS1 1505	PS1 1605	PS1 1805	PS1 2105	PS1 2405					
25 1/16 [636]	24 3/8 [619]	23 5/8 [600]	19 1/2 [496]	PS1 1206	PS1 1406	PS1 1506	PS1 1606	PS1 1806	PS1 2106	PS1 2406	PS1 3006				
29 [736]	28 5/16 [719]	27 9/16 [700]	23 7/16 [596]	PS1 1207	PS1 1407	PS1 1507	PS1 1607	PS1 1807	PS1 2107	PS1 2407	PS1 3007				
30 15/16 [786]	30 1/4 [769]	29 1/2 [750]	25 7/16 [646]	PS1 1275	PS1 1475	PS1 1575	PS1 1675	PS1 1875	PS1 2175	PS1 2475	PS1 3075				
32 15/16 [836]	32 1/4 [819]	31 1/2 [800]	27 3/8 [696]	PS1 1208	PS1 1408	PS1 1508	PS1 1608	PS1 1808	PS1 2108	PS1 2408	PS1 3008				
36 7/8 [936]	36 3/16 [919]	35 7/16 [900]	31 5/16 [796]	PS1 1209	PS1 1409	PS1 1509	PS1 1609	PS1 1809	PS1 2109	PS1 2409	PS1 3009				
40 13/16 [1036]	40 1/8 [1019]	39 3/8 [1000]	35 1/4 [896]	PS1 1210	PS1 1410	PS1 1510	PS1 1610	PS1 1810	PS1 2110	PS1 2410	PS1 3010				
48 11/16 [1236]	48 [1219]	47 1/4 [1200]	43 1/8 [1096]	PS1 1212	PS1 1412	PS1 1512	PS1 1612	PS1 1812	PS1 2112	PS1 2412	PS1 3012				
56 9/16 [1436]	55 7/8 [1419]	55 1/8 [1400]	51 [1296]	PS1 1214	PS1 1414	PS1 1514	PS1 1614	PS1 1814	PS1 2114	PS1 2414	PS1 3014				
60 1/2 [1536]	59 13/16 [1519]	59 1/16 [1500]	54 15/16 [1396]	PS1 1215	PS1 1415	PS1 1515	PS1 1615	PS1 1815	PS1 2115	PS1 2415	PS1 3015				
64 7/16 [1636]	63 3/4 [1619]	63 [1600]	58 7/8 [1496]	PS1 1216	PS1 1416	PS1 1516	PS1 1616	PS1 1816	PS1 2116	PS1 2416	PS1 3016				
72 5/16 [1836]	71 5/8 [1819]	70 7/8 [1800]	66 [1696]	PS1 1218	PS1 1418	PS1 1518	PS1 1618	PS1 1818	PS1 2118	PS1 2418	PS1 3018				
84 1/8 [2136]	83 7/16 [2119]	82 11/16 [2100]	78 9/16 [1996]	PS1 1221	PS1 1421	PS1 1521	PS1 1621	PS1 1821	PS1 2121	PS1 2421					
95 15/16 [2436]	95 1/4 [2419]	94 1/2 [2400]	90 3/8 [2296]	PS1 1224	PS1 1424	PS1 1524	PS1 1624	PS1 1824	PS1 2124						
119 9/16 [3036]	118 7/8 [3019]	118 1/8 [3000]	114 [2896]	PS1 1230	PS1 1430	PS1 1530	PS1 1630	PS1 1830							

Product Code

Glass Size = Visible Glass + 15/16" (24 mm)

Standard sizes Shown. Additional sizes may be available. Custom sizes can be ordered.

Note: • For Masonry opening information see Section A.

Picture/Direct Set 2 Wide Window Sizes

Width

Rough Opening		Frame		48 [1219]	55 7/8 [1419]	59 13/16 [1519]	63 3/4 [1619]	71 5/8 [1819]	79 1/2 [2019]	95 1/4 [2419]
				47 1/4 [1200]	55 1/8 [1400]	59 1/16 [1500]	63 [1600]	70 7/8 [1800]	78 3/4 [2000]	94 1/2 [2400]
				19 1/2 [496]	23 7/16 [596]	25 7/16 [646]	27 3/8 [696]	31 5/16 [796]	35 1/4 [896]	43 1/8 [1096]
Wood Exterior	Metal Clad		Visible Glass							
25 1/16 [636]	24 3/8 [619]	23 5/8 [600]	19 1/2 [496]	PS2 1206	PS2 1406	PS2 1506	PS2 1606	PS2 1806	PS2 2006	PS2 2406
29 [736]	28 5/16 [719]	27 9/16 [700]	23 7/16 [596]	PS2 1207	PS2 1407	PS2 1507	PS2 1607	PS2 1807	PS2 2007	PS2 2407
30 15/16 [786]	30 1/4 [769]	29 1/2 [750]	25 7/16 [646]	PS2 1275	PS2 1475	PS2 1575	PS2 1675	PS2 1875	PS2 2075	PS2 2475
32 15/16 [836]	32 1/4 [819]	31 1/2 [800]	27 3/8 [696]	PS2 1208	PS2 1408	PS2 1508	PS2 1608	PS2 1808	PS2 2008	PS2 2408
36 7/8 [936]	36 3/16 [919]	35 7/16 [900]	31 5/16 [796]	PS2 1209	PS2 1409	PS2 1509	PS2 1609	PS2 1809	PS2 2009	PS2 2409
40 13/16 [1036]	40 1/8 [1019]	39 3/8 [1000]	35 1/4 [896]	PS2 1210	PS2 1410	PS2 1510	PS2 1610	PS2 1810	PS2 2010	PS2 2410
48 11/16 [1236]	48 [1219]	47 1/4 [1200]	43 1/8 [1096]	PS2 1212	PS2 1412	PS2 1512	PS2 1612	PS2 1812	PS2 2012	PS2 2412
56 9/16 [1436]	55 7/8 [1419]	55 1/8 [1400]	51 [1296]	PS2 1214	PS2 1414	PS2 1514	PS2 1614	PS2 1814	PS2 2014	PS2 2414
60 1/2 [1536]	59 13/16 [1519]	59 1/16 [1500]	54 15/16 [1396]	PS2 1215	PS2 1415	PS2 1515	PS2 1615	PS2 1815	PS2 2015	PS2 2415
64 7/16 [1636]	63 3/4 [1619]	63 [1600]	58 7/8 [1496]	PS2 1216	PS2 1416	PS2 1516	PS2 1616	PS2 1816	PS2 2016	PS2 2416
72 5/16 [1836]	71 5/8 [1819]	70 7/8 [1800]	66 [1696]	PS2 1218	PS2 1418	PS2 1518	PS2 1618	PS2 1818	PS2 2018	PS2 2418
84 1/8 [2136]	83 7/16 [2119]	82 11/16 [2100]	78 9/16 [1996]	PS2 1221	PS2 1421	PS2 1521	PS2 1621	PS2 1821	PS2 2021	PS2 2421

Height

Product Code

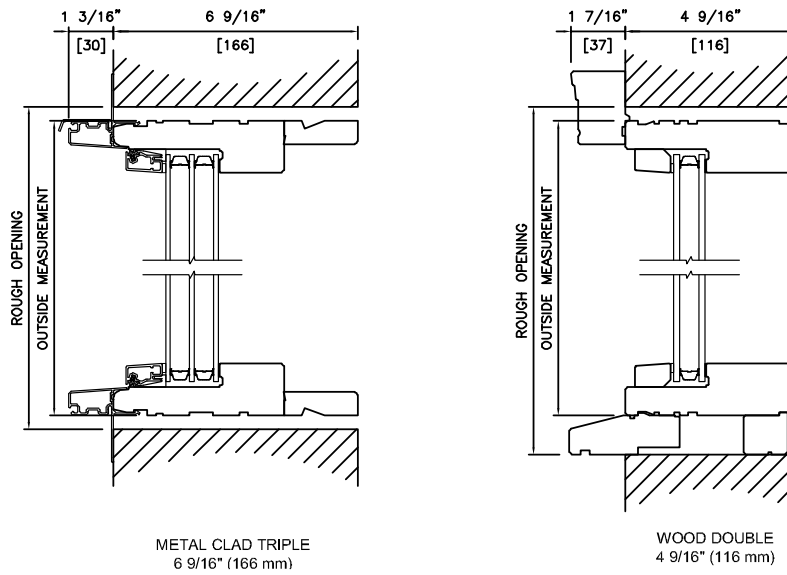
Glass Size = Visible Glass + 15/16" (24 mm)

Standard sizes Shown. Additional sizes may be available. Custom sizes can be ordered.

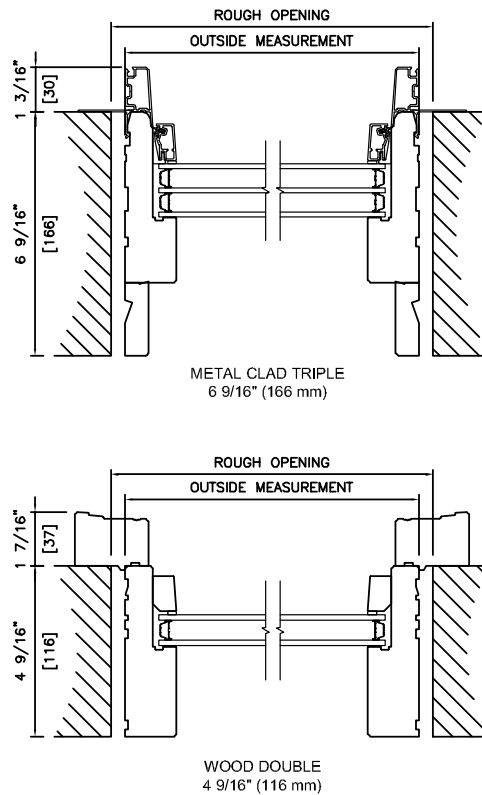
Note: • For Masonry opening information see Section A.

Picture/Direct Set Window Wall Connection Detail

Head & Sill Detail



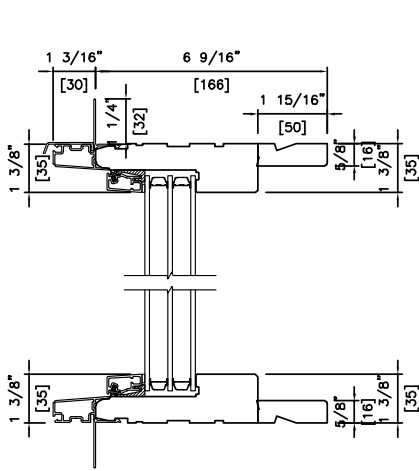
Plan View



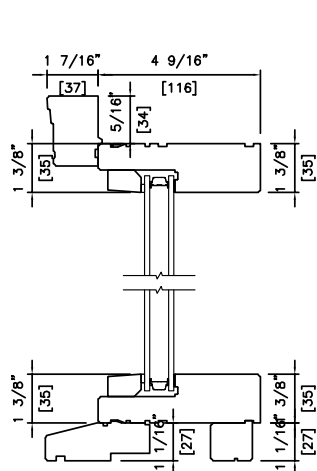
Note: • Other jamb widths available.
• All dimensions to have +/- 1/16" (2mm) tolerance.

Picture/Direct Set Window Detail

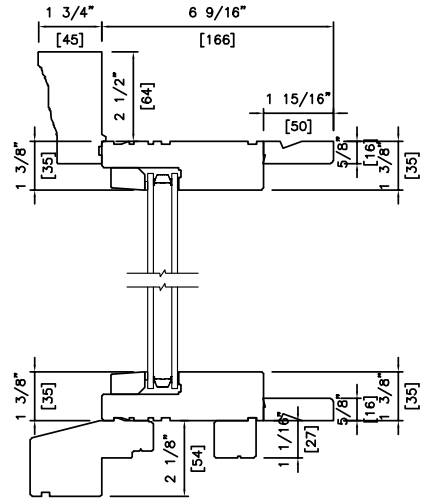
Head & Sill Detail



METAL CLAD TRIPLE
6 9/16" (166mm)

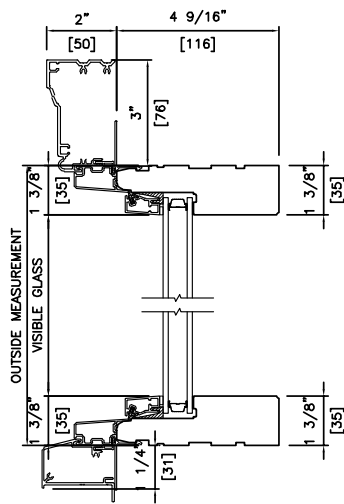


WOOD DOUBLE
4 9/16" (116mm)
2" BRICKMOULD. STANDARD SUB SILL



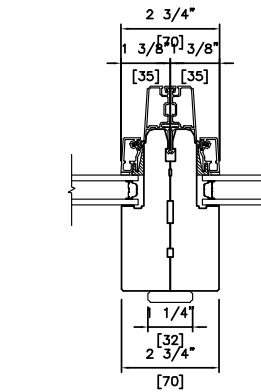
WOOD TRIPLE
6 9/16" (166mm)
ADAMS CASING HERITAGE SUB SILL

Head & Sill Detail

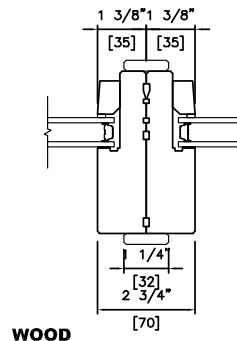


METAL CLAD DOUBLE
4 9/16" (116mm)
WILLIAMSBURG CASING BC SILL NOSE

Plan View



METAL CLAD

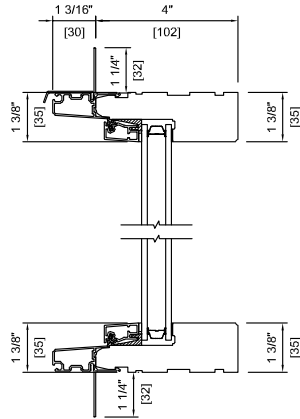


WOOD

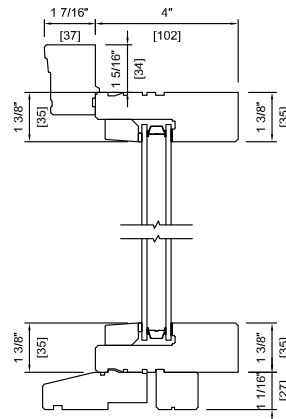
Note: • Other jamb widths available.
• All dimensions to have +/- 1/16" (2mm) tolerance.

Picture/Direct Set Window - Cutdown Frame Detail

Head & Sill Detail

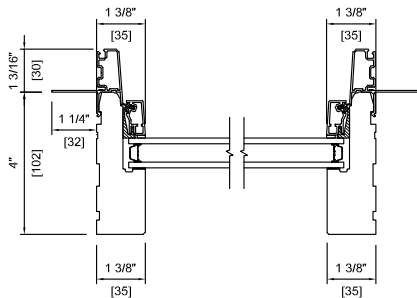


METAL CLAD DOUBLE
4" (102 mm)

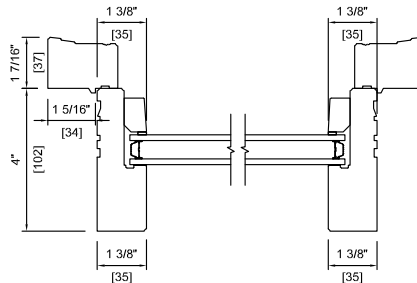


WOOD EXTERIOR DOUBLE
4" (102 mm)
2" BRICKMOULD STANDARD SUBSILL

Plan View

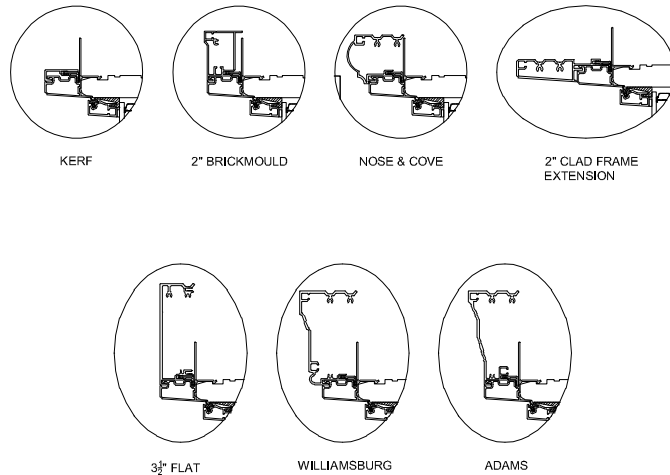


METAL CLAD DOUBLE
3 1/4" (83 mm)



WOOD EXTERIOR DOUBLE
3 1/4" (83 mm)

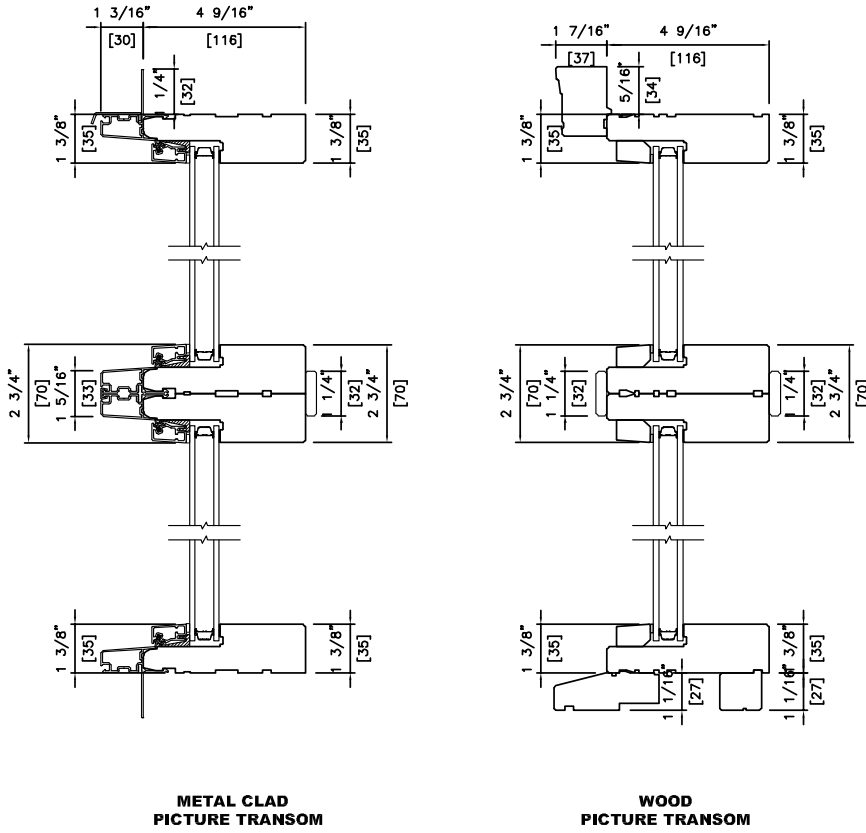
Casing



Note: • Other jamb widths available.
• All dimensions to have +/- 1/16" (2mm) tolerance.

Picture/Direct Set Window Transom Detail

Head & Sill Detail

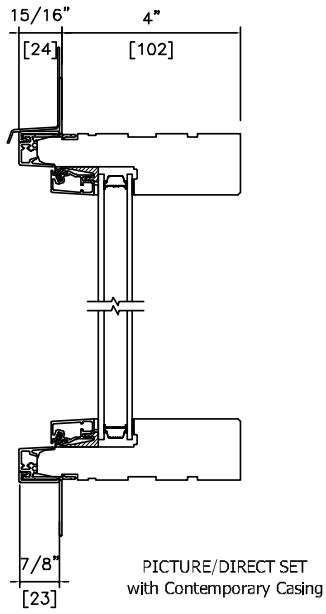


Note:

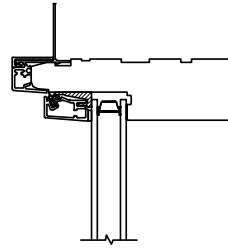
- Other jamb widths available.
- All dimensions to have +/- 1/16" (2mm) tolerance.

Contemporary Frame Cladding Detail

Head & Sill Detail



Casing



PICTURE/DIRECT SET

