

Technical Guide H

# Swinging Terrace & French Terrace Doors



# Product Features

## Styles

Traditional, French, Cambertop, Quarter Round, Full Radius.

## Standard Features

- Natural Douglas Fir interior (no visible finger joints)
- Full Jamb – 6 9/16 (166 mm) construction is an option
- 4 mm Low E insulated tempered glazing
- Multi-point locking hardware, complete with solid brass core handle set, escutcheon and dead bolt
- Extruded aluminum cladding in a variety of standard colors, primed wood or clear fir exterior
- Flexible weatherstrip system

## Hardware

Multiple hardware type and finish choices are available. See hardware finish options in section A for more information.

## Glazing

LowE Double, LowE Triple and StormForce™. StormForce™

is not available on all products.

## Simulated Divided Lites (SDL)

Ogee Profile – 3/4” (19 mm), 1 1/8” (30 mm), 2” (51 mm)

Putty Profile – 5/8” (16 mm), 7/8” (22 mm), 1 1/8” (30 mm), 2” (51 mm)

Square Profile (interior only) – 3/4” (19 mm), 7/8” (22 mm), 1 1/8” (30 mm), 2” (51 mm)

## Casing

Wood: 2” (51 mm) Brickmould, 3 1/2” (89 mm) Flat, 5 1/2” (139 mm) Flat, Adams and Williamsburg.

Metal Clad: 2” (51 mm) Brickmould, 3 1/2” (89 mm) Flat, 2” clad frame extension, Nose & Cove, Adams, Williamsburg and Kerf.

## Metal Clad Color Spectrum

All Palette colors, including anodized finishes. Available in Cyprium Collection (see Section N).



Terrace



French Terrace



Half Round Terrace

Available in wood exterior only.



Half Round French Terrace

HARDWARE STYLES	Swinging Terrace	Swinging French Terrace
Multi-point Handle	●	●
Verona Handle	●	●
Meran Handle	●	●
Shropshire Handle	○	○
Churchill Handle	○	○
Athina Handle	○	○
Rodos Operator	○	○

● Standard ○ Optional

Finish Options: Refer to Section A.

VARIABLES	Swinging Terrace	Swinging French Terrace
<b>Function</b>		
Use for Egress	●	●
Multi-point Hardware	●	●
<b>Durability</b>		
Low Maintenance Metal Clad Exterior	●	●
Clear Douglas Fir Exterior Finish	○	○
Clear Mahogany Exterior Finish	○	○
Primed Exterior Finish	○	○
Cyprium Collection	○	○
<b>Performance</b>		
LowE Double	●	●
LowE Triple	○	○
StormForce™	○	○
<b>Appearance</b>		
SDL	○	○
Vertical Grain Fir Panel	●	●

# Specifications

---

## Standards

Most individual units have been tested by an independent laboratory for air and water infiltration, structural performance and thermal performance requirements.

## Panel & Frame

Manufactured with Coastal Douglas Fir. Bronze anodized aluminum door sill with bronze vinyl extruded thermal break. All exterior wood components are factory primed unless specified as clear exterior. Minor scratches or abrasions are not considered defects.

## Alternate Species

The entire Loewen product line is also available in optional Mahogany. Preservative Treated

## Preservative Treated

All wood parts are dipped in approved preservative.

## Glazing

With countless glazing configurations and glazing coatings options, we ensure that you can choose the perfect blend of protection and comfort.

## Insulating Glass

Double or triple glass configurations with 1/2" (13 mm) airspace.

## LowE Systems

LowE best describes the benefits of the product that incorporates glazing coatings and Argon gas. LowE systems help reduce heating and cooling costs, providing superior energy efficiency.

## Simulated Divided Lites (SDL)

Standard SDL complete with airspace grilles. Grille bars are permanently applied to the interior and exterior.

## Metal Cladding

Heavy duty exterior metal cladding comprised of extruded aluminum is available in a variety of Palette colors, including anodized and Cyprium (copper and bronze cladding). Interior of window can be natural wood (unfinished) or primed. Metal clad units are supplied ready-to-install complete with integral metal nailing flange.

## Hardware

Multipoint locking hardware – complete with brass handle set and escutcheon – and dead bolt are standard on all Terrace Doors. Optional keyed alike locks are available. Standard concealed bearing hinges in a variety of finishes are available.

**Note:** French doors with handle activated shoot bolts on inactive panel.

## Weatherstripping

High grade weatherstripping runs the full perimeter of the panel/frame interface and provides a tight seal to the exterior elements. Side and head jamb weatherstrip are comprised of a bulb and fin dual seal design.

## Door Swings

Traditional Terrace Door: Hinged in the middle so that one panel is fixed, while the other opens/closes. These doors can be configured as a single door, or as a series of fixed, operating, left hinged or right hinged panels.

**French Terrace Doors:** Hinged on the jambs to allow both doors to open/close from the middle.

**Note:** Outswinging versions of both door styles are available as options.

---

Visit the Loewen Photo Gallery online at [www.loewen.com](http://www.loewen.com) for a large collection of Loewen product and elevation photography. Numerous custom window configuration opportunities exist – please contact your Authorized Loewen Dealer. Specifications and technical information are subject to change without notice. Imperial and metric measurements are converted accurately. However, in some cases, industry standards cause a 1 mm variance. (Example: 3/4" is shown as 19 mm for all glass measurements.) Cad Download: [www.loewen.com/architect](http://www.loewen.com/architect) | Installation Instructions: [www.loewen.com](http://www.loewen.com)

# Loewen Narrow Stile Terrace Door

## Features

- Narrower stiles and rails compared to standard Terrace Door panels
- Incorporates standard Terrace Door frame and sill
- Available as inswing, outswing, and fixed Terrace Doors
- Available for BiFold
- Metal Clad only in all current finishes with the exception of Cyprum
- Not available in shaped units, rectangle only

## Sizes

- Maximum sizes for a single Terrace Door (TD1) is a width of 36" (924mm) and a height of 106 5/16" (2700mm) or a width of 40 5/16" (1024mm) and a height of 94 1/2" (2400mm)
  - Rough Opening and OSM remains the same as a standard Terrace Door, refer to TD1-0927 and TD1-1024 in the Loewen Technical Guide
- Maximum sizes for a French Door (FD2) is a width of 72" (1829mm) and a height of 106 5/16" (2700mm) or a width of 79" (2029mm) and a height of 94 1/2" (2400mm)
  - Rough Opening and OSM remains the same as a standard Terrace Door, refer to FD2-1827 and FD2-2024 in the Loewen Technical Guide



Out-Swing



In-Swing

## Options

- Optional 7" bottom rail to align with other Terrace Door / French Door units on the job
- Ogee, Putty, Square interior glazing stops are all available along with complementary SDL bars
- All current Terrace Door handle sets are available, including the new Dallas handle set

# Loewen Outswing 2.25" Terrace Door

---

## New Thicker Panel

Loewen Windows and Doors is pleased to introduce our newest addition to the swinging door Family of products, the 2 1/4" Door. This new option of door has been designed to meet the demands of the luxury market. The thicker, more robust panel provides the valued element of mass which equates to a higher quality experience while using the product. The narrow stile elevation along with the new thicker panel makes for a great contemporary design solution.

## Simple Design, Elaborate Performance

**Minimal 3" profile and high-performance triple glazing.**

Our 2 1/4" door brings with it a new level of robust design that you can hear and feel.

Triple glazing is easily executed giving you better thermal and sound performance. However, one can't overlook the simple benefits of interacting with a door this substantial. You can see the strength before you lay a hand on it. However, feeling the weight, hearing the contact of door to frame is the real experience.

### Specifications

- Panel is a 2 3/8" thick rabbeted panel
- Allows for "True Triple" high performance glazing with 1/2" airspace
- Standard configuration - stile (4 5/16") and bottom rail (7 7/8")
- Optional 3" narrow stile configuration - stile (3") and bottom rail (4 5/16")
- Optional ADA flat sill with 10" tall bottom rail
- Optional midrail and both flat and raised panels
- Fixed Sidelites only
- Sightlines of transom will align with door below
  - Transom sash and door panel align - are on the same plane.



### Features

- All of the below features are available or remain unaffected from the standard (1 3/4") Terrace Door.
- Wood Type (Vertical Grain Douglas Fir or Mahogany)
- Glazing, Glazing Stop, and SDL Options
- Architectural Casings
- Hardware
- Standard Frame sizes and size limitations
- Composite splash guard

### Performance Data

- All NFRC as well as NAFS (Air/Water/Structural) performance values remain consistent with existing 1 3/4" product option.
- Impact performance and certification remains unchanged from the existing 1 3/4" product option.

# Narrow Stile Terrace Door 1 Wide Sizes

					Width					
<b>Rough Opening Inswing with Jamb Extension<sup>1</sup></b> <div style="margin-left: 20px;"><b>Rough Opening<sup>2</sup></b></div> <div style="margin-left: 40px;"><b>Frame</b></div> <div style="margin-left: 60px;"><b>Panel</b></div> <div style="margin-left: 80px;"><b>Visible Glass</b></div>					19 1/8 [485]	25 [635]	31 7/8 [809]	35 1/8 [892]	37 3/4 [959]	41 11/16 [1059]
					18 7/16 [469]	24 3/8 [619]	31 1/4 [793]	34 1/2 [876]	37 1/8 [943]	41 1/16 [1043]
					17 11/16 [450]	23 5/8 [600]	30 1/2 [774]	33 3/4 [857]	36 3/8 [924]	40 5/16 [1024]
					15 13/16 [402]	21 3/4 [552]	28 9/16 [726]	31 7/8 [809]	34 1/2 [876]	38 7/16 [976]
					7 3/16 [182]	13 1/16 [332]	19 15/16 [506]	23 3/16 [589]	25 13/16 [656]	29 3/4 [756]
					TRANSOM					
16 5/8 [422]	16 5/16 [415]	15 3/4 [400]	13 7/8 [352]	9 11/16 [246]	* TDT1 0404	* TDT1 0604	* TDT1 0704	* TDT1 0804	* TDT1 0904	* TDT1 1004
24 1/2 [622]	24 3/16 [615]	23 5/8 [600]	21 3/4 [552]	17 9/16 [446]	* TDT1 0406	* TDT1 0606	* TDT1 0706	* TDT1 0806	* TDT1 0906	* TDT1 1006
					VENTING SIDELITE		DOORS			
80 3/8 [2042]	80 1/8 [2035]	79 1/2 [2020]	76 7/16 [1942]	63 7/8 [1623]	~ TD1 0420	~ TD1 0620	TD1 0720	TD1 0820	TD1 0920	TD1 1020
82 3/16 [2087]	81 7/8 [2080]	81 5/16 [2065]	78 1/4 [1987]	65 11/16 [1668]	~ TD1 0421	~ TD1 0621	TD1 0721	TD1 0821	TD1 0921	TD1 1021
86 7/8 [2206]	86 9/16 [2199]	86 [2184]	82 15/16 [2106]	70 3/8 [1787]	~ TD1 0470	~ TD1 0670	TD1 0770	TD1 0870	TD1 0970	TD1 1070
95 3/8 [2422]	95 1/16 [2415]	94 1/2 [2400]	91 7/16 [2322]	78 7/8 [2003]	~ TD1 0424	~ TD1 0624	TD1 0724	TD1 0824	TD1 0924	TD1 1024
98 1/4 [2496]	98 [2489]	97 3/8 [2474]	94 5/16 [2396]	81 3/4 [2077]			TD1 0780	TD1 0880	TD1 0980	
99 15/16 [2538]	99 5/8 [2531]	99 1/16 [2516]	96 [2438]	83 7/16 [2119]			TD1 0725	TD1 0825	TD1 0925	
107 3/16 [2722]	106 7/8 [2715]	106 5/16 [2700]	103 1/4 [2622]	90 11/16 [2303]			TD1 0727	TD1 0827	TD1 0927	
					Product Code					

Glass Size = Visible Glass + 15/16" (24 mm)

**Standard sizes Shown. Additional sizes may be available. Custom sizes can be ordered.**

- Note:**
- SDL/Grille patterns are dependent on SDL/Grille type and window size. Please verify SDL/Grille patterns before confirming your order.
  - Half round doors are available in wood exterior.
    - \* Transom units.
    - ~ Venting or Fixed Sidelite.
    - 1 Inswing doors with jamb extensions (other than 4 9/16" (116 mm) & 6 9/16" (166 mm) full jamb).
    - 2 Outswing doors (all) and inswing doors without jamb extensions (4 9/16" (116 mm) & 6 9/16" (166 mm) full jamb).

# Narrow Stile Terrace Door

## 2 Wide Door Sizes

					Width			
<b>Rough Opening Inswing with Jamb Extension<sup>1</sup></b>					60 7/16" [1535]	66 15/16" [1701]	72 1/4" [1835]	80 1/8" [2035]
<b>Rough Opening<sup>2</sup></b>					59 13/16" [1519]	66 5/16" [1685]	71 5/8" [1819]	79 1/2" [2019]
<b>Frame</b>					59 1/16" [1500]	65 9/16" [1666]	70 7/8" [1800]	78 3/4" [2000]
<b>Panel</b>					28 9/16" [726]	31 7/8" [809]	34 1/2" [876]	38 7/16" [976]
<b>Visible Glass</b>					22 11/16" [576]	25 15/16" [659]	28 9/16" [726]	32 1/2" [826]
					<b>TRANSOM</b>			
16 5/8 [422]	16 5/16 [415]	15 3/4 [400]	13 7/8 [352]	9 11/16 [246]	* TDT2 1504	* TDT2 1604	* TDT2 1804	* TDT2 2004
24 1/2 [622]	24 3/16 [615]	23 5/8 [600]	21 3/4 [552]	17 9/16 [446]	* TDT2 1506	* TDT2 1606	* TDT2 1806	* TDT2 2006
					<b>DOORS</b>			
80 3/8 [2042]	80 1/8 [2035]	79 1/2 [2020]	76 7/16 [1942]	68 13/16 [1748]	TD2 1520	TD2 1620	TD2 1820	TD2 2020
82 3/16 [2087]	81 7/8 [2080]	81 5/16 [2065]	78 1/4 [1987]	70 9/16 [1793]	TD2 1521	TD2 1621	TD2 1821	TD2 2021
86 7/8 [2206]	86 9/16 [2199]	86 [2184]	82 15/16 [2106]	75 1/4 [1912]	TD2 1570	TD2 1670	TD2 1870	TD2 2070
95 3/8 [2422]	95 1/16 [2415]	94 1/2 [2400]	91 7/16 [2322]	83 3/4 [2128]	TD2 1524	TD2 1624	TD2 1824	TD2 2024
98 1/4 [2496]	98 [2489]	97 3/8 [2474]	94 5/16 [2396]	86 11/16 [2202]	TD2 1580	TD2 1680	TD2 1880	
99 15/16 [2538]	99 5/8 [2531]	99 1/16 [2516]	96 [2438]	88 3/8 [2244]	TD2 1525	TD2 1625	TD2 1825	
107 3/16 [2722]	106 7/8 [2715]	106 5/16 [2700]	103 1/4 [2622]	95 9/16 [2428]	TD2 1527	TD2 1627	TD2 1827	
					<b>Product Code</b>			

Glass Size = Visible Glass + 15/16" (24 mm)

**Standard sizes Shown. Additional sizes may be available. Custom sizes can be ordered.**

- Note:**
- SDL/Grille patterns are dependent on SDL/Grille type and window size. Please verify SDL/Grille patterns before confirming your order.
  - Half round doors are available in wood exterior.
    - \* Transom units.
    - 1 Inswing doors with jamb extensions (other than 4 9/16" (116 mm) & 6 9/16" (166 mm) full jamb).
    - 2 Outswing doors (all) and inswing doors without jamb extensions (4 9/16" (116 mm) & 6 9/16" (166 mm) full jamb).

# Narrow Stile Terrace Door

## 3 Wide Door Sizes

					Width			
<b>Rough Opening Inswing with Jamb Extension<sup>1</sup></b>					89" [2261]	98 13/16" [2510]	106 3/4" [2711]	118 9/16" [3011]
<b>Rough Opening<sup>2</sup></b>					88 3/8" [2245]	98 3/16" [2494]	106 1/16" [2695]	117 7/8" [2995]
<b>Frame</b>					87 5/8" [2226]	97 7/16" [2475]	105 5/16" [2676]	117 1/8" [2976]
<b>Panel</b>					28 9/16" [726]	31 7/8" [809]	34 1/2" [876]	38 7/16" [976]
<b>Visible Glass</b>					22 11/16" [576]	25 15/16" [659]	28 9/16" [726]	32 1/2" [826]
					<b>TRANSOM</b>			
16 5/8 [422]	16 5/16 [415]	15 3/4 [400]	13 7/8 [352]	9 11/16 [246]	* TDT3 2204	* TDT3 2404	* TDT3 2704	* TDT3 3004
24 1/2 [622]	24 3/16 [615]	23 5/8 [600]	21 3/4 [552]	17 9/16 [446]	* TDT3 2206	* TDT3 2406	* TDT3 2706	* TDT3 3006
					<b>DOORS</b>			
80 3/8 [2042]	80 1/8 [2035]	79 1/2 [2020]	76 7/16 [1942]	68 13/16 [1748]	TD3 2220	TD3 2420	TD3 2720	TD3 3020
82 3/16 [2087]	81 7/8 [2080]	81 5/16 [2065]	78 1/4 [1987]	70 9/16 [1793]	TD3 2221	TD3 2421	TD3 2721	TD3 3021
86 7/8 [2206]	86 9/16 [2199]	86 [2184]	82 15/16 [2106]	75 1/4 [1912]	TD3 2270	TD3 2470	TD3 2770	TD3 3070
95 3/8 [2422]	95 1/16 [2415]	94 1/2 [2400]	91 7/16 [2322]	83 3/4 [2128]	TD3 2224	TD3 2424	TD3 2724	TD3 3024
98 1/4 [2496]	98 [2489]	97 3/8 [2474]	94 5/16 [2396]	86 11/16 [2202]	TD3 2280	TD3 2480	TD3 2780	
99 15/16 [2538]	99 5/8 [2531]	99 1/16 [2516]	96 [2438]	88 3/8 [2244]	TD3 2225	TD3 2425	TD3 2725	
107 3/16 [2722]	106 7/8 [2715]	106 5/16 [2700]	103 1/4 [2622]	95 9/16 [2428]	TD3 2227	TD3 2427	TD3 2727	
					<b>Product Code</b>			

Glass Size = Visible Glass + 15/16" (24 mm)

**Standard sizes Shown. Additional sizes may be available. Custom sizes can be ordered.**

- Note:**
- SDL/Grille patterns are dependent on SDL/Grille type and window size. Please verify SDL/Grille patterns before confirming your order.
  - Half round doors are available in wood exterior.
    - \* Transom units.
    - 1 Inswing doors with jamb extensions (other than 4 9/16" (116 mm) & 6 9/16" (166 mm) full jamb).
    - 2 Outswing doors (all) and inswing doors without jamb extensions (4 9/16" (116 mm) & 6 9/16" (166 mm) full jamb).



# Narrow Stile Terrace Door

## 4 Wide Door Sizes

					Width							
<b>Rough Opening</b> <b>Inswing with Jamb Extension<sup>1</sup></b>					117 5/8" [2988]	130 11/16" [3320]	141 1/4" [3588]	157" [3988]				
					Rough Opening <sup>2</sup>				117" [2972]	130 1/16" [3304]	140 5/8" [3572]	156 3/8" [3972]
					Frame				116 1/4" [2953]	129 5/16" [3285]	139 7/8" [3553]	155 5/8" [3953]
					Panel				28 9/16" [726]	31 7/8" [809]	34 1/2" [876]	38 7/16" [976]
					Visible Glass				22 11/16" [576]	25 15/16" [659]	28 9/16" [726]	32 1/2" [826]
					TRANSOM							
16 5/8 [422]	16 5/16 [415]	15 3/4 [400]	13 7/8 [352]	9 11/16 [246]	* TDT4 3004	* TDT4 3204	* TDT4 3604	* TDT4 4004				
24 1/2 [622]	24 3/16 [615]	23 5/8 [600]	21 3/4 [552]	17 9/16 [446]	* TDT4 3006	* TDT4 3206	* TDT4 3606	* TDT4 4006				
					DOORS							
80 3/8 [2042]	80 1/8 [2035]	79 1/2 [2020]	76 7/16 [1942]	63 7/8 [1623]	TD4 3020	TD4 3220	TD4 3620	TD4 4020				
82 3/16 [2087]	81 7/8 [2080]	81 5/16 [2065]	78 1/4 [1987]	65 11/16 [1668]	TD4 3021	TD4 3221	TD4 3621	TD4 4021				
86 7/8 [2206]	86 9/16 [2199]	86 [2184]	82 15/16 [2106]	70 3/8 [1787]	TD4 3070	TD4 3270	TD4 3670	TD4 4070				
95 3/8 [2422]	95 1/16 [2415]	94 1/2 [2400]	91 7/16 [2322]	78 7/8 [2003]	TD4 3024	TD4 3224	TD4 3624	TD4 4024				
98 1/4 [2496]	98 [2489]	97 3/8 [2474]	94 5/16 [2396]	81 3/4 [2077]	TD4 3080	TD4 3280	TD4 3680					
99 15/16 [2538]	99 5/8 [2531]	99 1/16 [2516]	96 [2438]	83 7/16 [2119]	TD4 3025	TD4 3225	TD4 3625					
107 3/16 [2722]	106 7/8 [2715]	106 5/16 [2700]	103 1/4 [2622]	90 11/16 [2303]	TD4 3027	TD4 3227	TD4 3627					

Height

Product Code

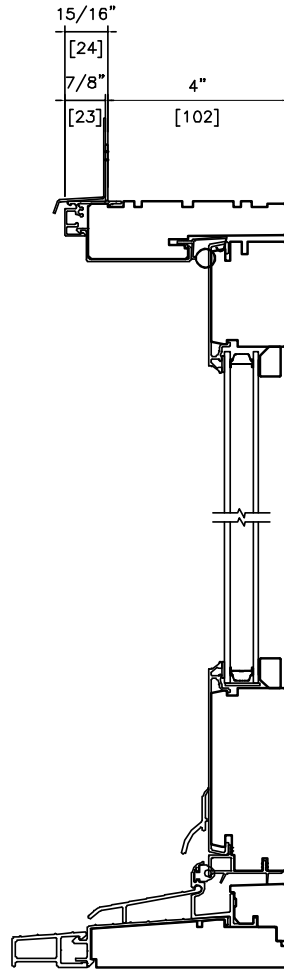
Glass Size = Visible Glass + 15/16" (24 mm)

**Standard sizes Shown. Additional sizes may be available. Custom sizes can be ordered.**

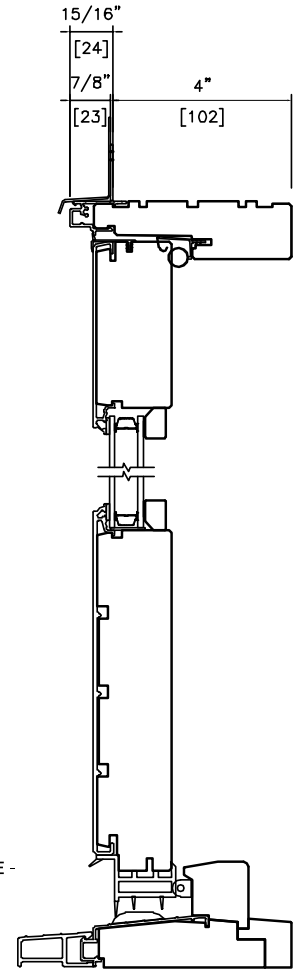
- Note:**
- SDL/Grille patterns are dependent on SDL/Grille type and window size. Please verify SDL/Grille patterns before confirming your order.
  - Half round doors are available in wood exterior.
    - \* Transom units.
    - 1 Inswing doors with jamb extensions (other than 4 9/16" (116 mm) & 6 9/16" (166 mm) full jamb).
    - 2 Outswing doors (all) and inswing doors without jamb extensions (4 9/16" (116 mm) & 6 9/16" (166 mm) full jamb).

# Contemporary Frame Cladding Detail

## Head & Sill Detail

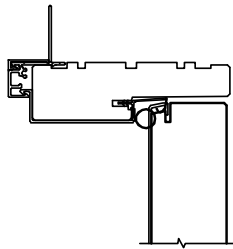


INSWING TERRACE/FRENCH TERRACE  
- NARROW STILE

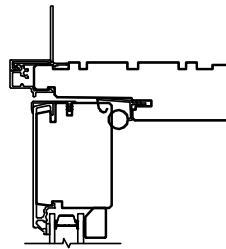


OUTSWING TERRACE/FRENCH TERRACE -  
STANDARD STILE

## Casing



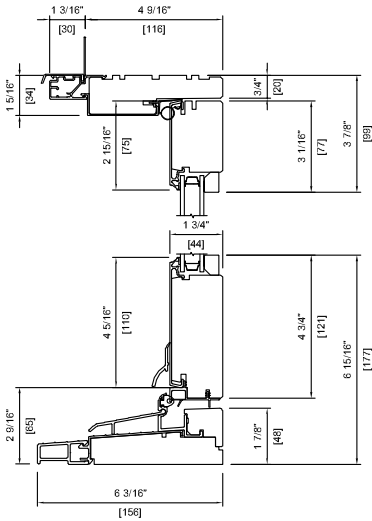
INSWING TERRACE/FRENCH TERRACE



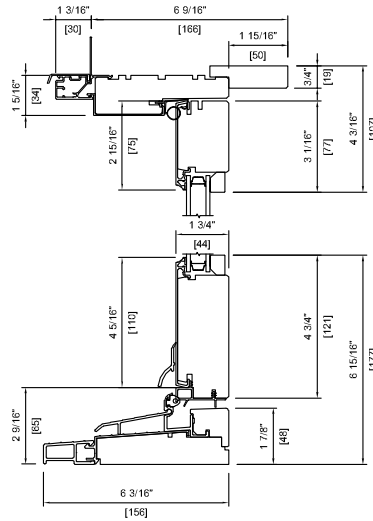
OUTSWING TERRACE/FRENCH TERRACE -

# Inswing 3" Narrow Stile Terrace Door Detail

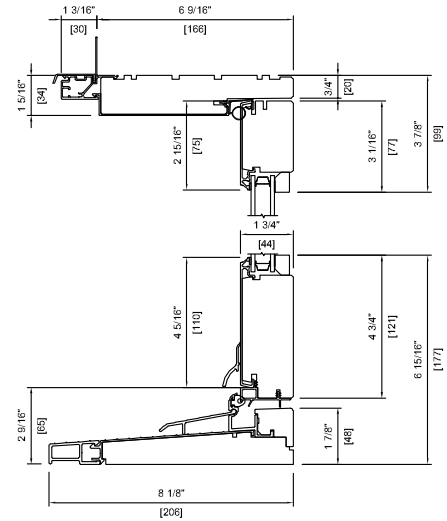
## Head & Sill Detail



METAL CLAD DOUBLE  
4 3/8" (116 mm)

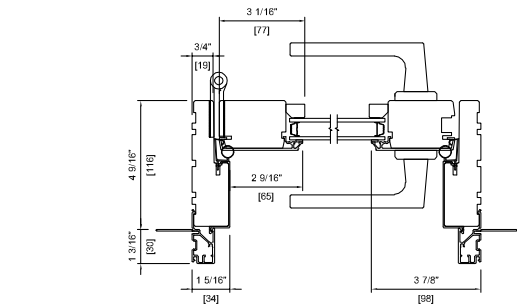


METAL CLAD DOUBLE  
6 3/8" (166 mm)

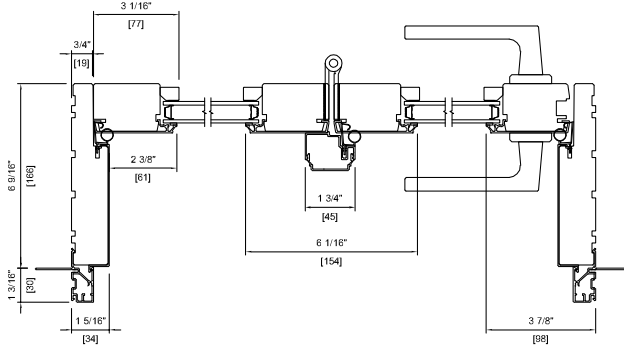


METAL CLAD DOUBLE  
6 3/8" (166 mm)  
FULL JAMB

## Plan View

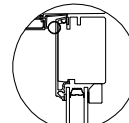


METAL CLAD DOUBLE  
ONE PANEL  
4 3/8" (116 mm)

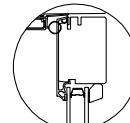


METAL CLAD DOUBLE  
TWO PANEL  
6 3/8" (166 mm)

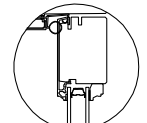
## Glazing Stop Profiles



SQUARE

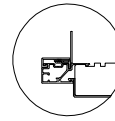


PUTTY

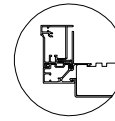


OGEE

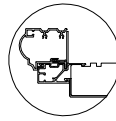
## Casing



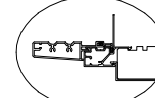
CONTEMPORARY



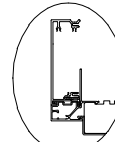
2" BRICKMOULD



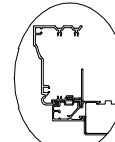
NOSE & COVE



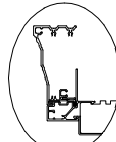
2" CLAD FRAME EXTENSION



3/4" FLAT



WILLIAMSBURG

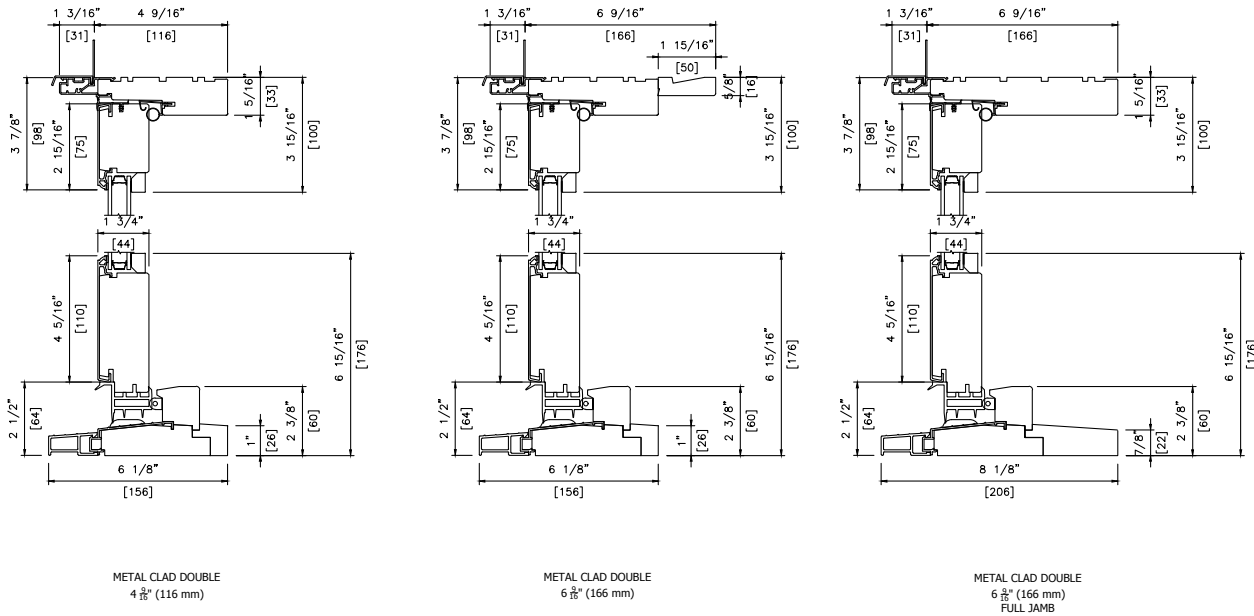


ADAMS

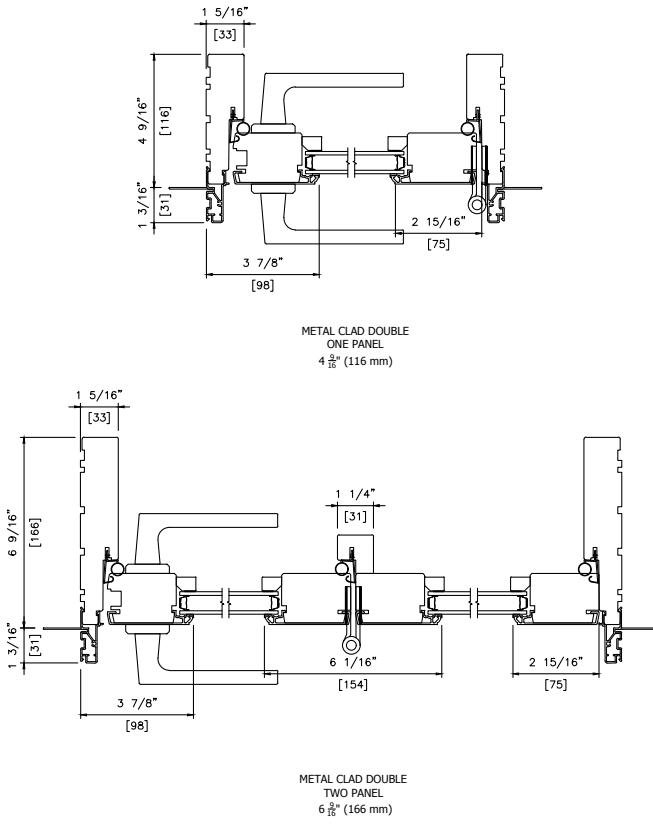
Note: • Other jamb widths available.  
• All dimensions to have +/- 1/16" (2mm) tolerance.

# Outswing 3" Narrow Stile Terrace Door Detail

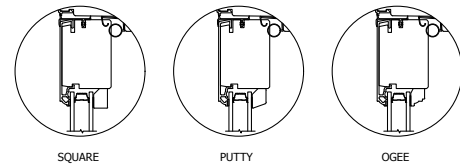
## Head & Sill Detail



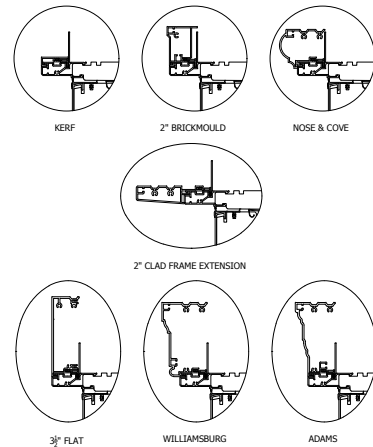
## Plan View



## Glazing Stop Profiles



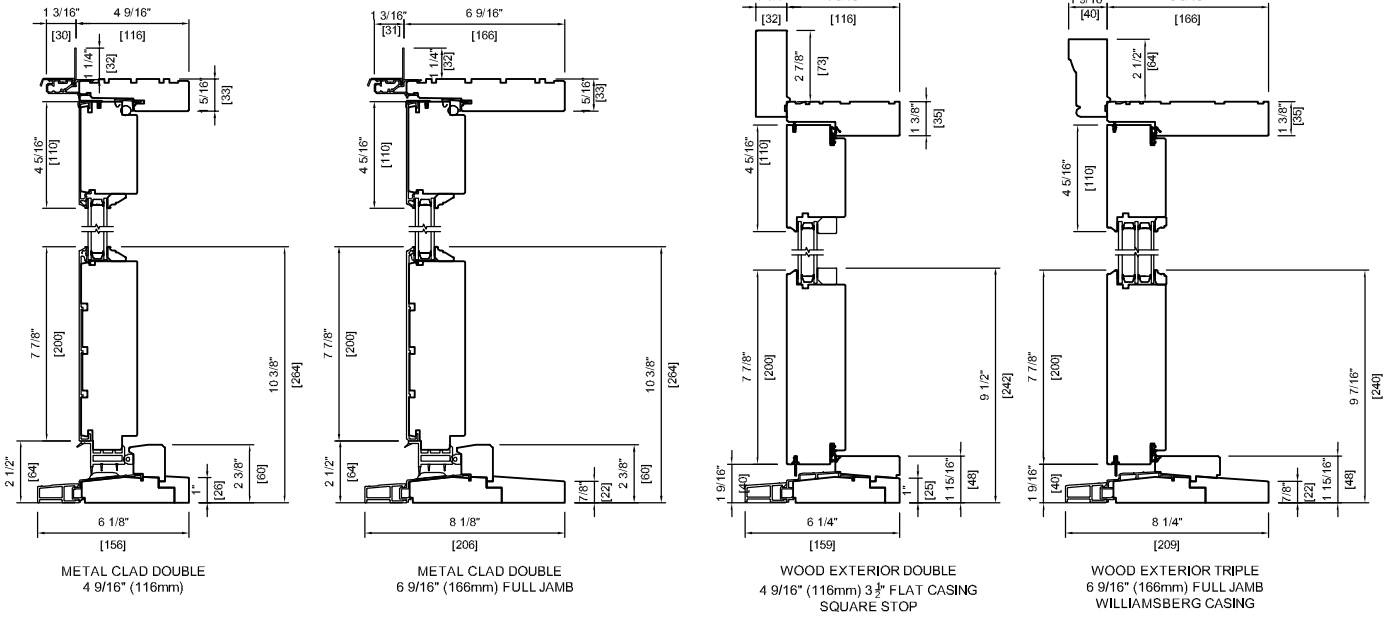
## Casing



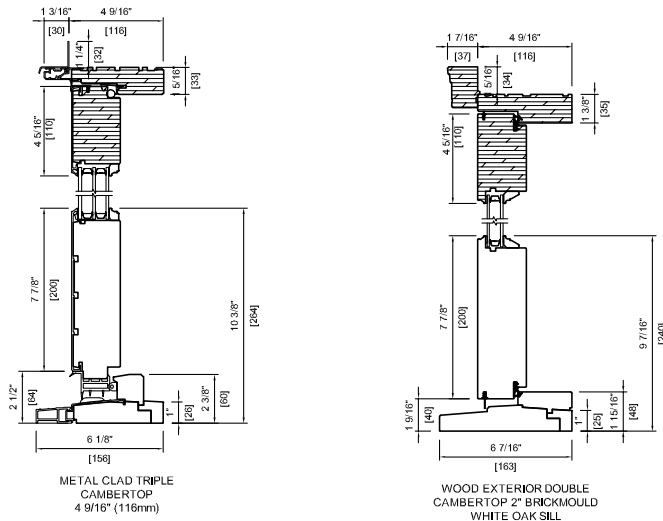
Note: • Other jamb widths available.  
• All dimensions to have +/- 1/16" (2mm) tolerance.

# Outswing 2 1/4" Standard Stile Terrace/French Terrace Door Detail

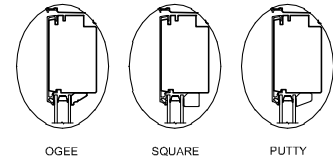
## Head & Sill Detail



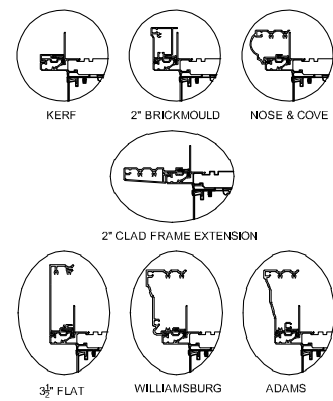
## Head & Sill Details



## Glazing Stop Profiles

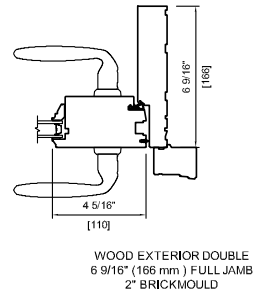
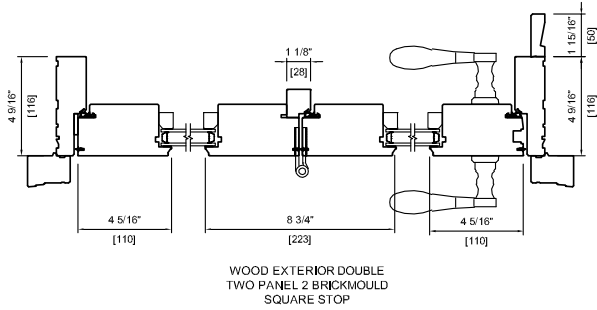
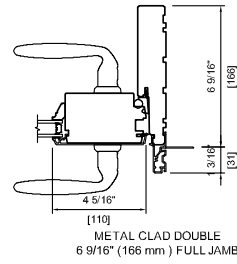
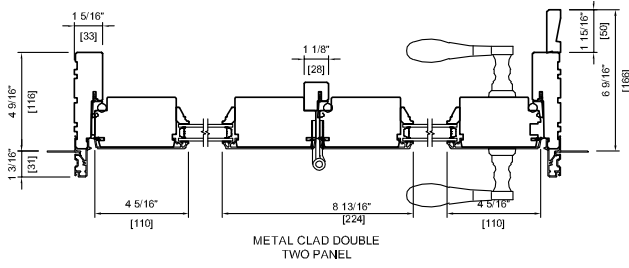


## Casing

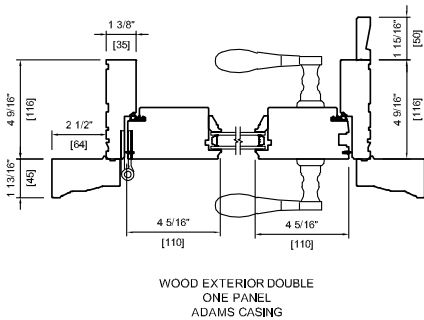
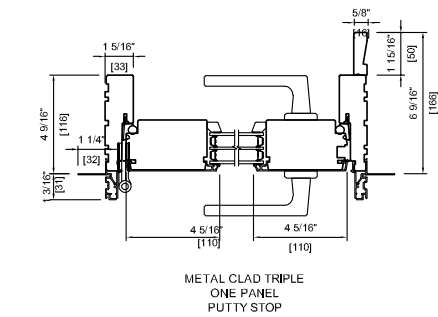


# Outswing 2 1/4" Standard Stile Terrace Door Detail

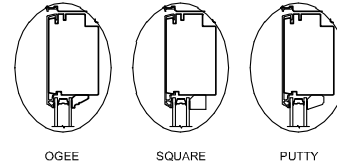
## Plan View



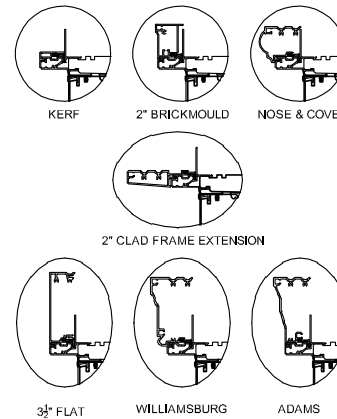
## Plan View



## Glazing Stop Profiles

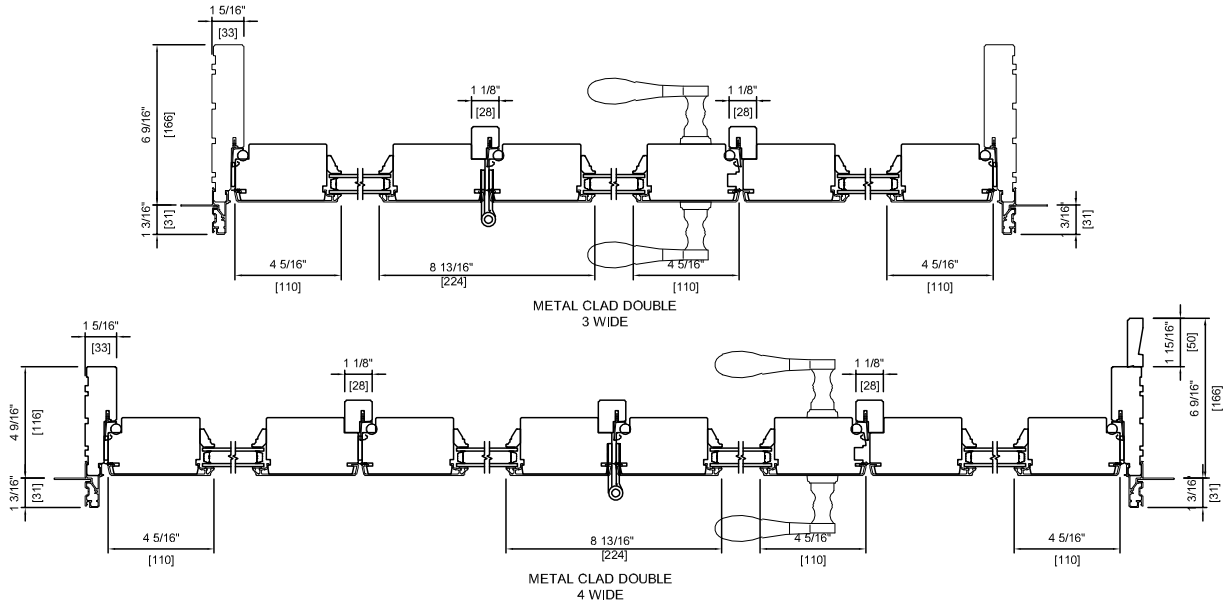


## Casing

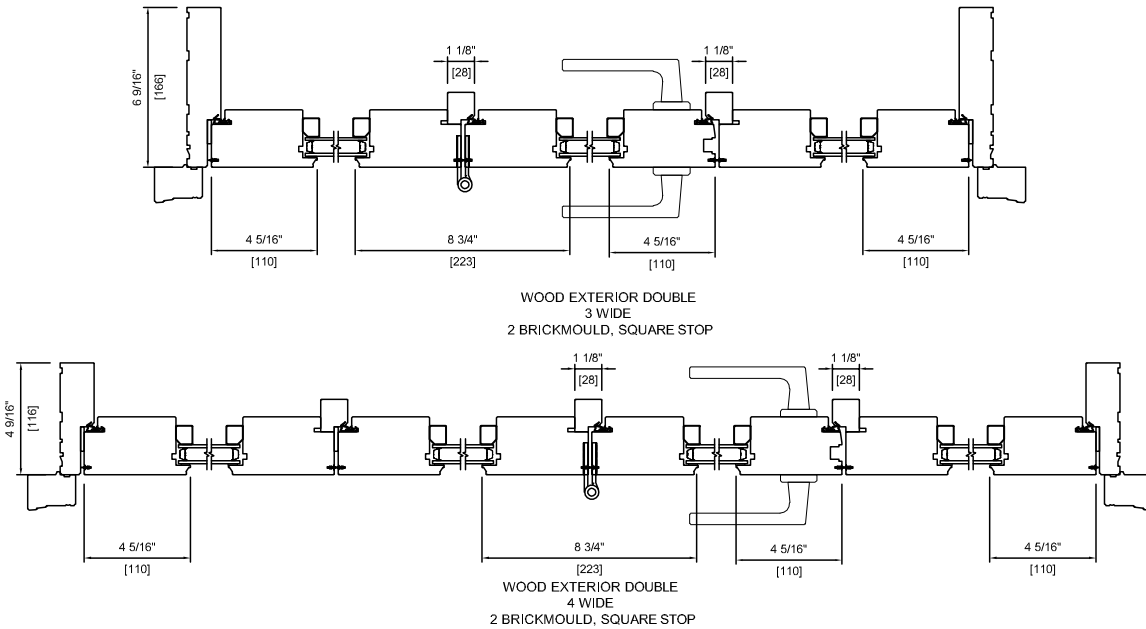


# Outswing 2 1/4" Standard Stile Terrace Door 3 & 4 Wide Detail

## Plan View

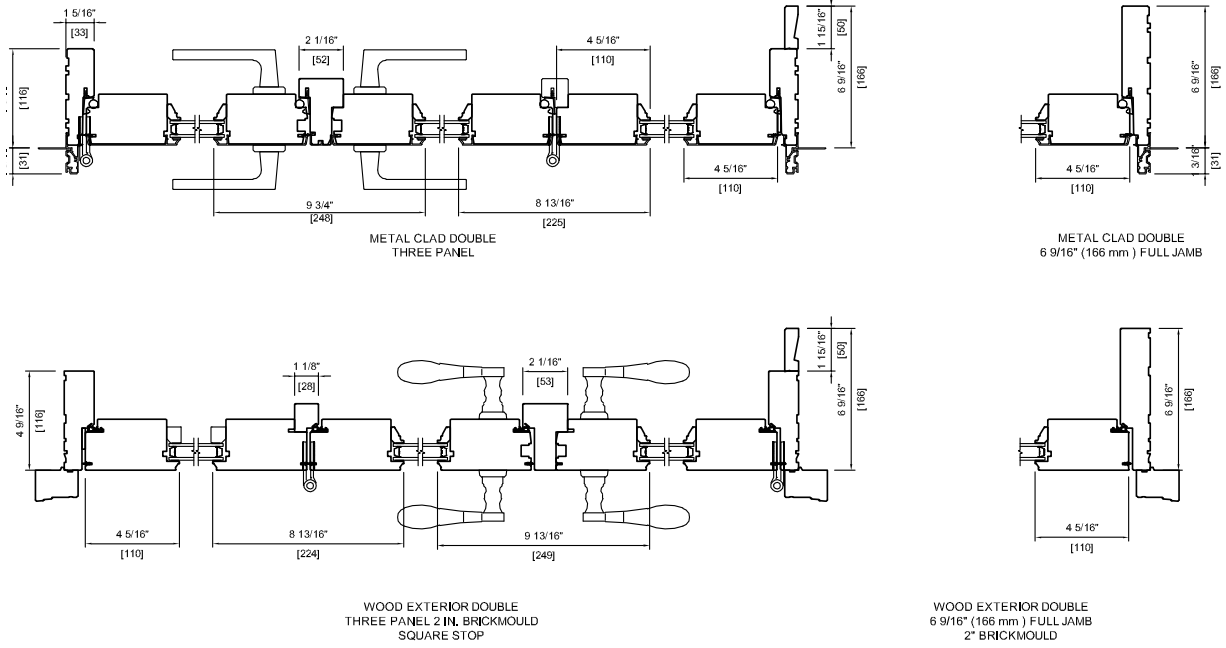


## Plan View

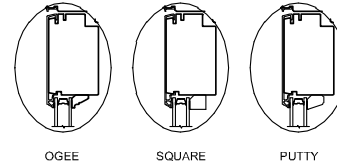


# Outswing 2 1/4" Standard Stile French Terrace Door Detail

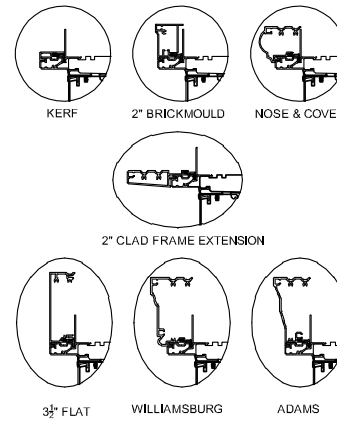
## Plan View



## Glazing Stop Profiles



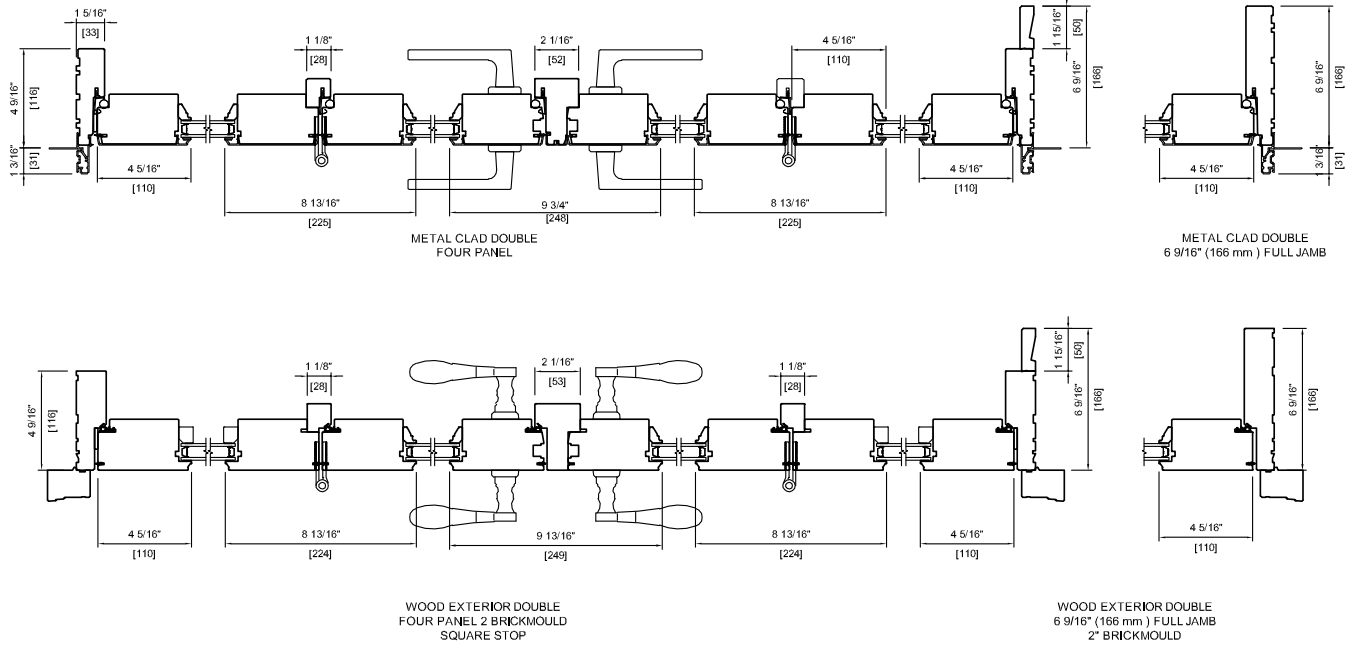
## Casing



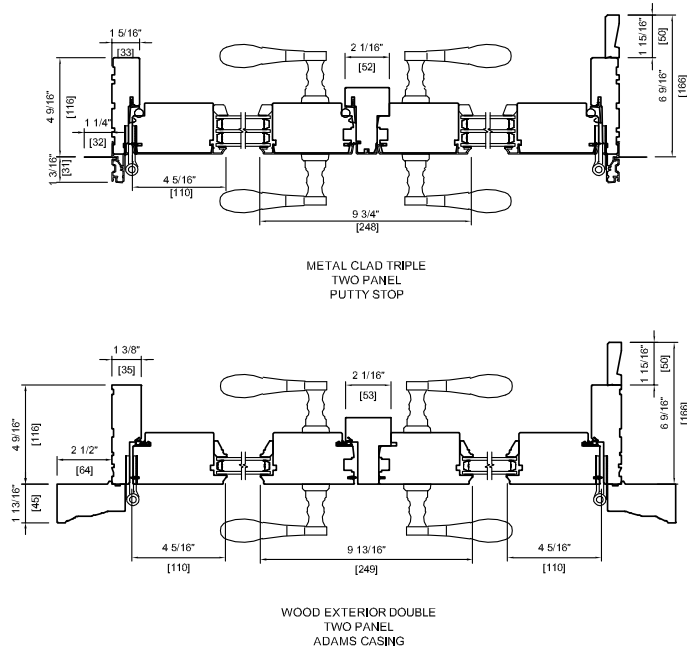


# Outswing 2 1/4" Standard Stile French Terrace Door Detail

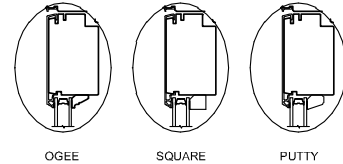
## Plan View



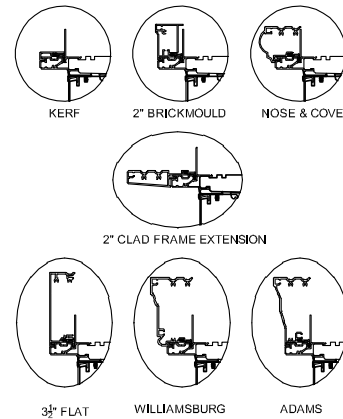
## Plan View



## Glazing Stop Profiles

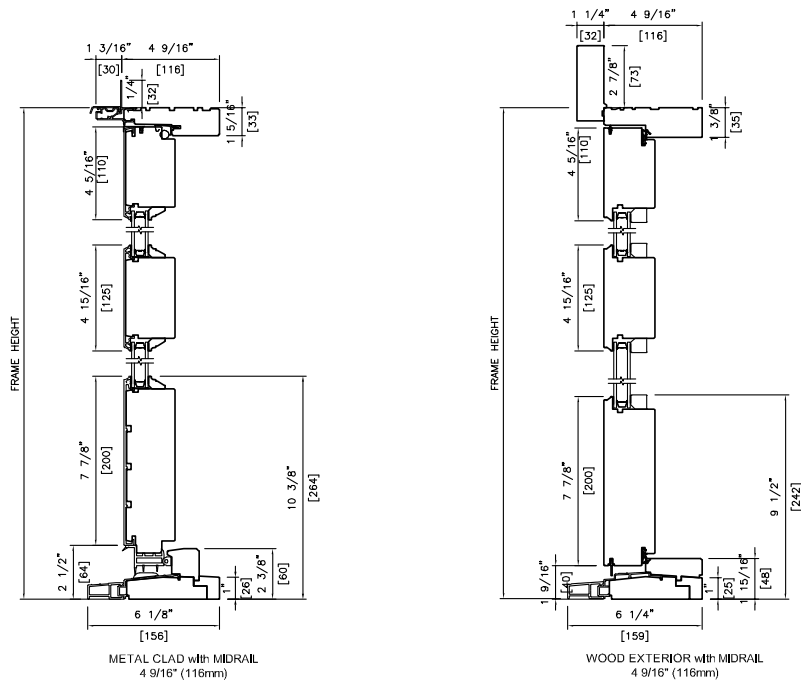


## Casing

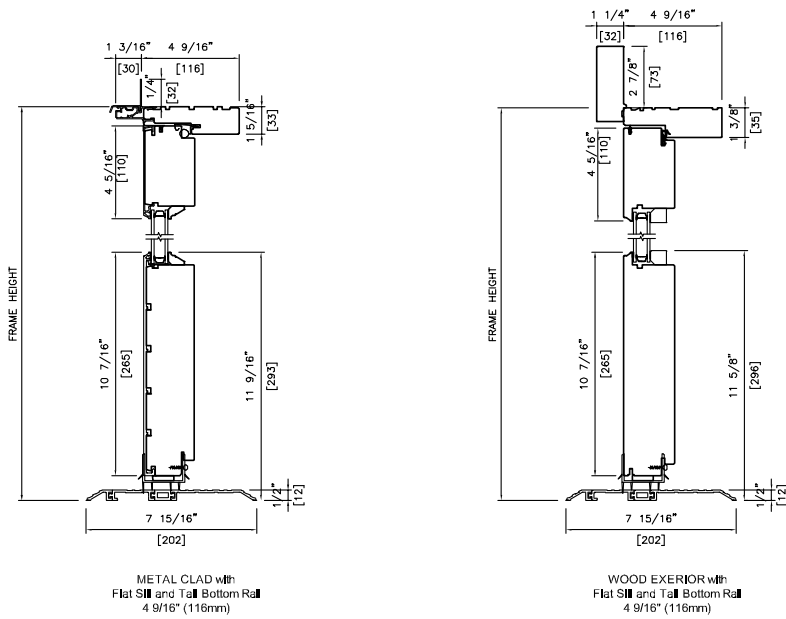


# Outswing 2 1/4" Standard Stile Terrace/French Terrace Door Detail (Midrail)

## Plan View

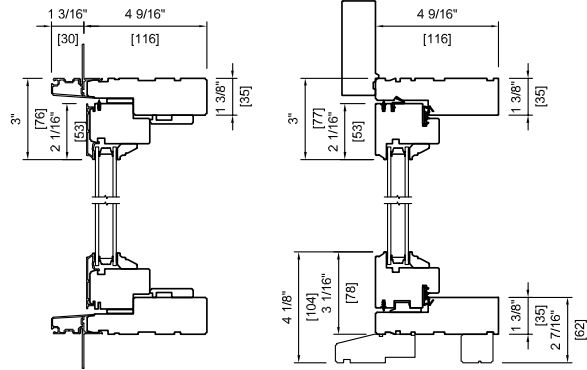


## Plan View



# Outswing 2 1/4" Standard Stile Terrace Door Transom Detail

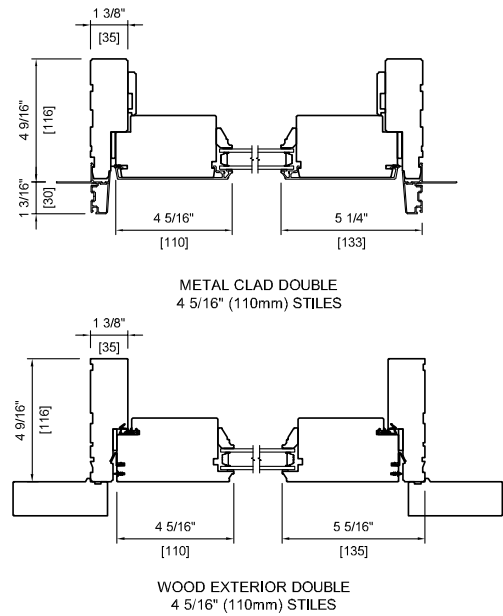
## Head & Sill



METAL CLAD DOUBLE  
2 1/16" (53mm) RAILS

WOOD EXTERIOR DOUBLE  
2 1/16" (53mm) RAILS

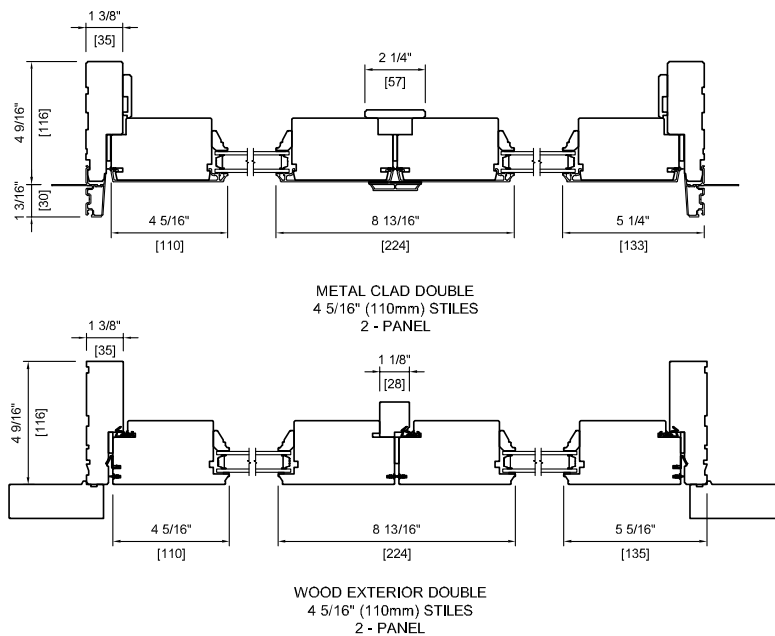
## Plan View



METAL CLAD DOUBLE  
4 5/16" (110mm) STILES

WOOD EXTERIOR DOUBLE  
4 5/16" (110mm) STILES

## Plan View

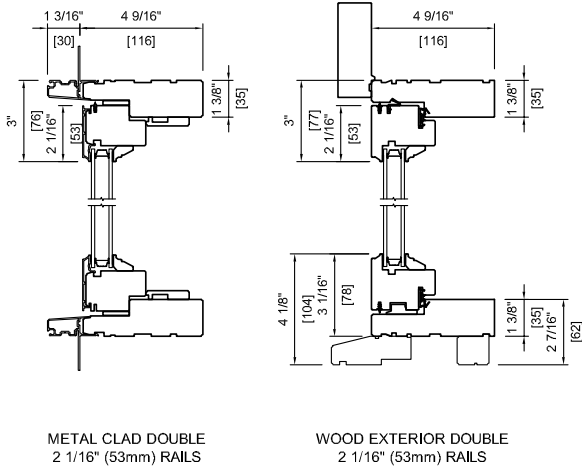


METAL CLAD DOUBLE  
4 5/16" (110mm) STILES  
2 - PANEL

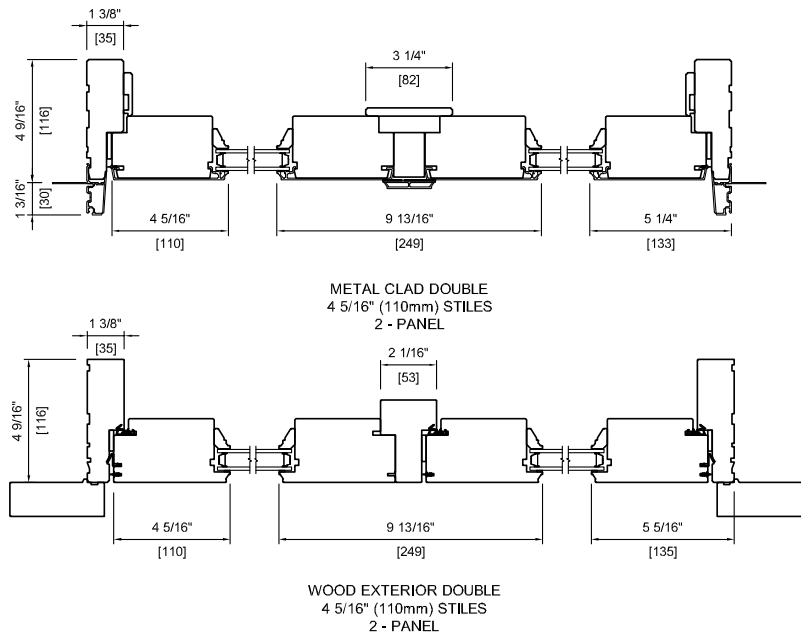
WOOD EXTERIOR DOUBLE  
4 5/16" (110mm) STILES  
2 - PANEL

# Outswing 2 1/4" Standard Stile French Terrace Door Transom Detail

## Head & Sill

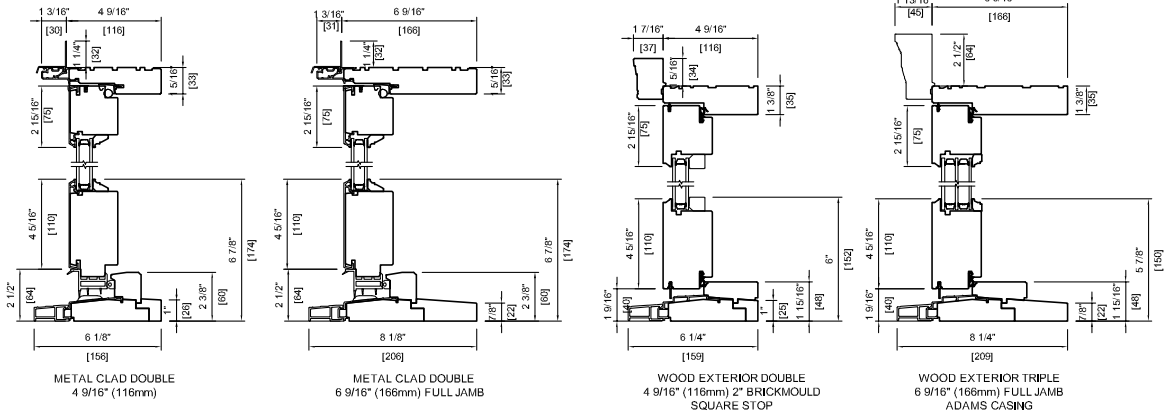


## Plan View

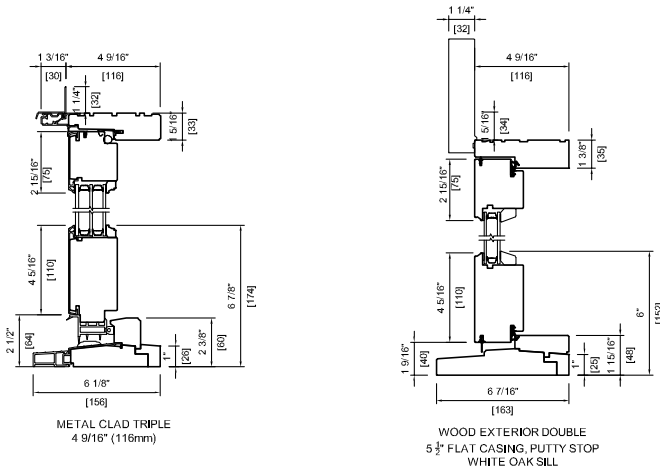


# Outswing 2 1/4" Narrow Stile Terrace/French Terrace Door Detail

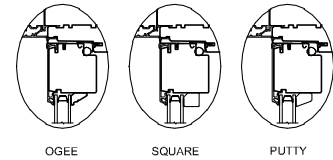
## Head & Sill Detail



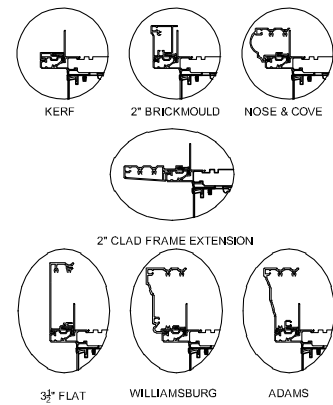
## Head & Sill Details



## Glazing Stop Profiles

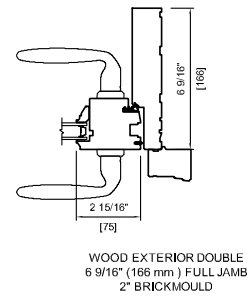
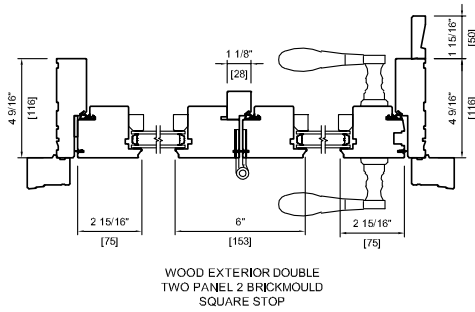
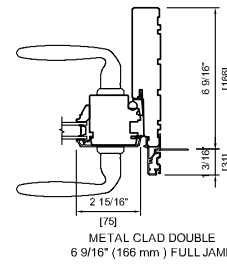
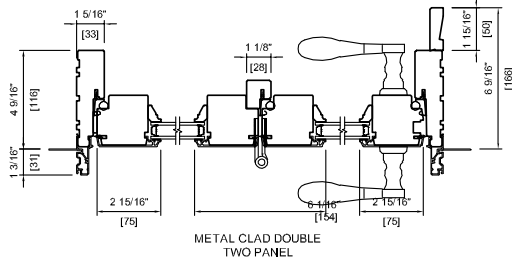


## Casing

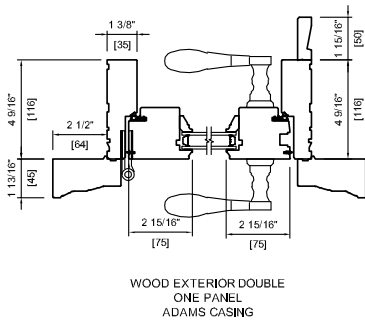
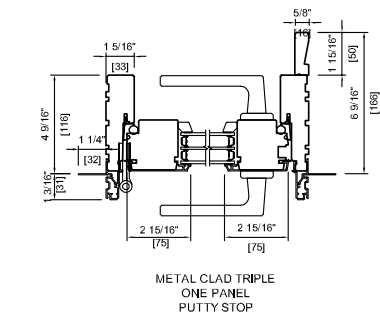


# Outswing 2 1/4" Narrow Stile Terrace Door Detail

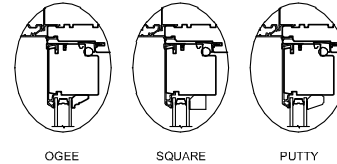
## Plan View



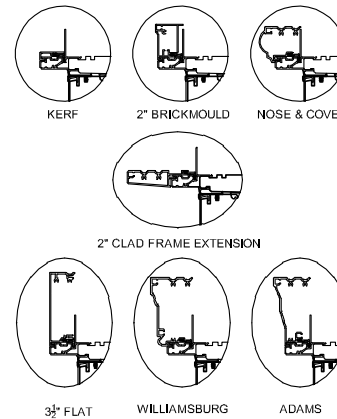
## Plan View



## Glazing Stop Profiles

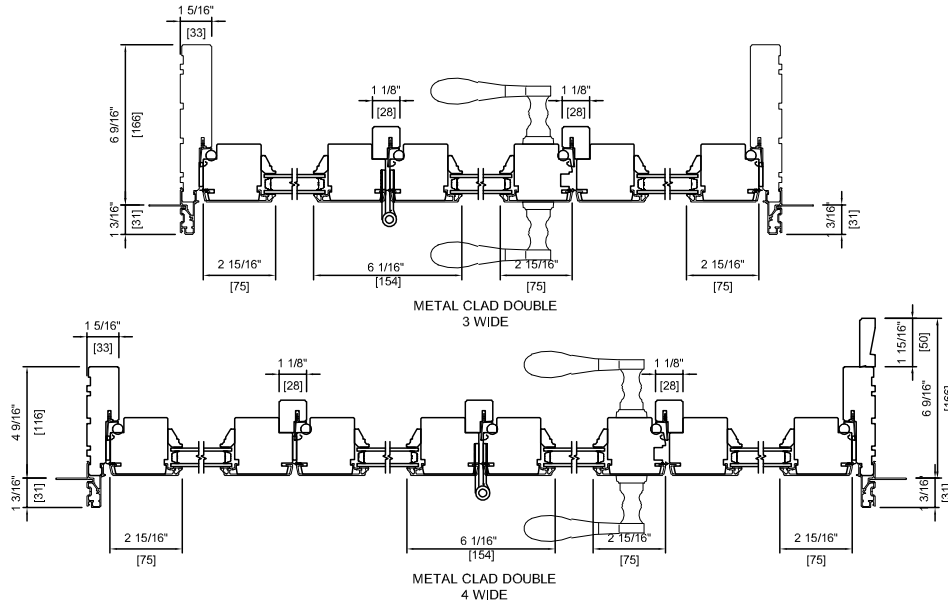


## Casing

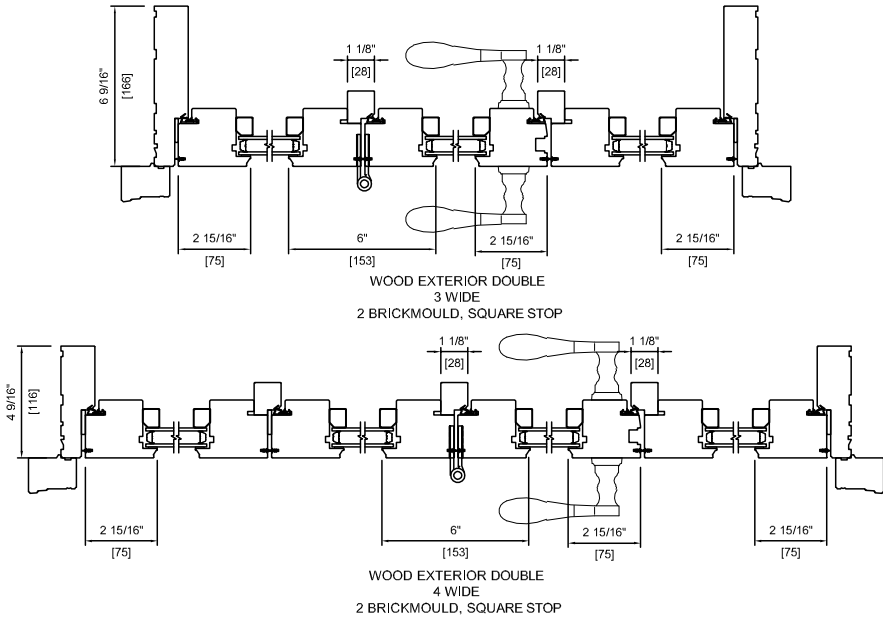


# Outswing 2 1/4" Narrow Stile Terrace Door 3 & 4 Wide Detail

## Plan View

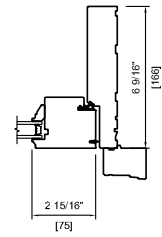
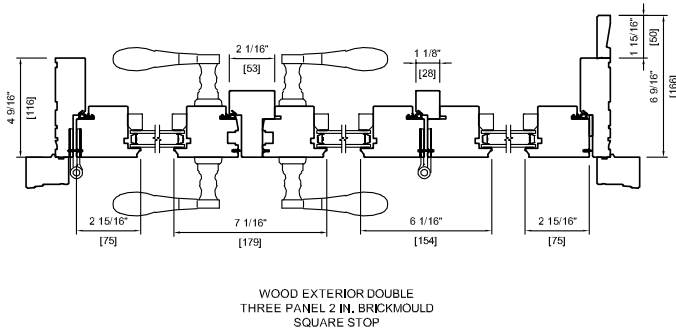
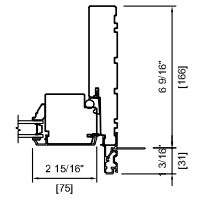
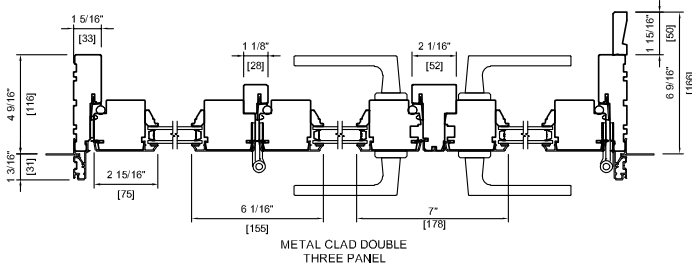


## Plan View

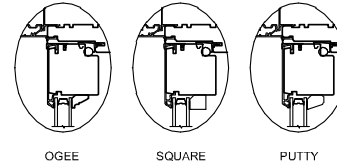


# Outswing 2 1/4" Narrow Stile French Terrace Door Detail

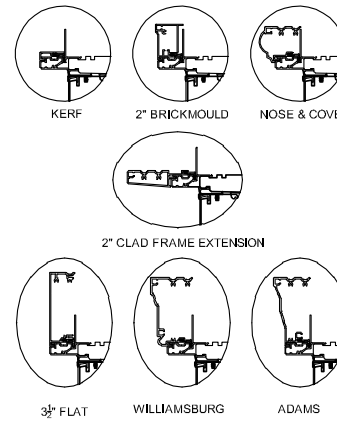
## Plan View



## Glazing Stop Profiles



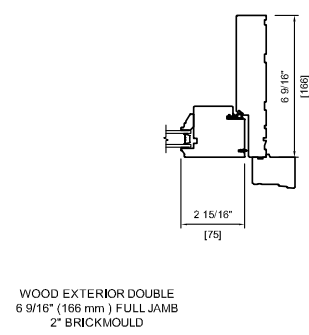
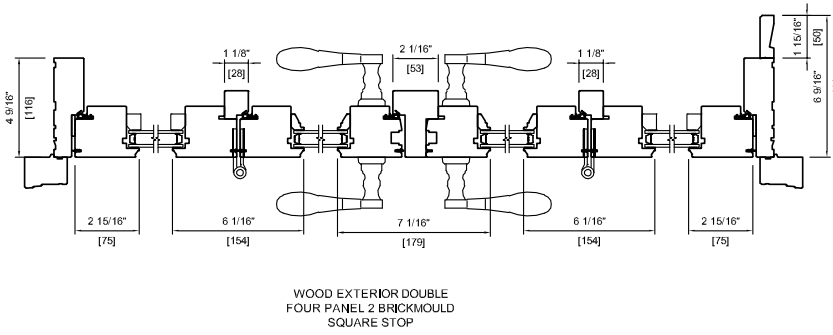
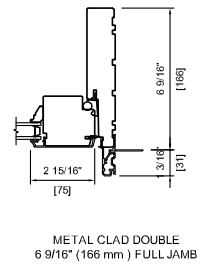
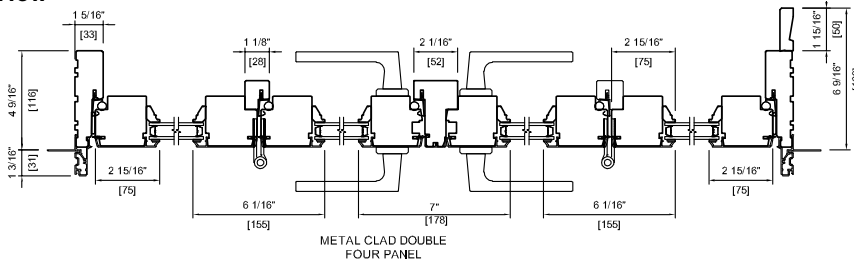
## Casing



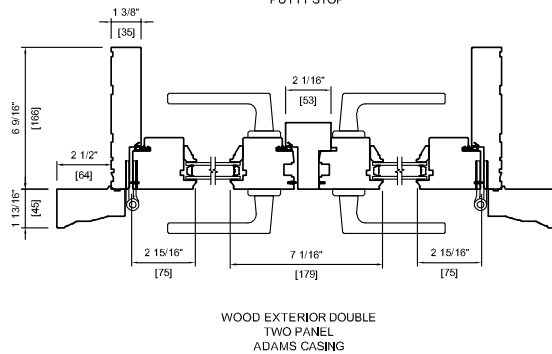
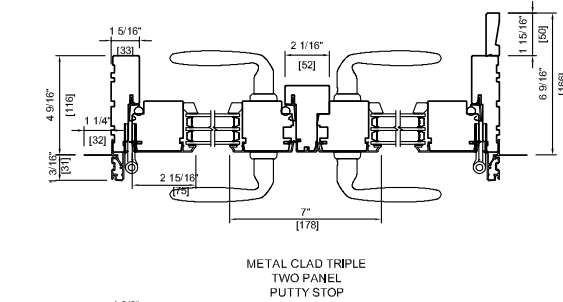


# Outswing 2 1/4" Narrow Stile French Terrace Door Detail

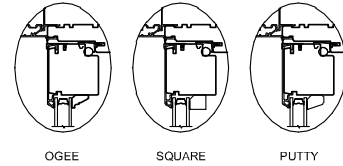
## Plan View



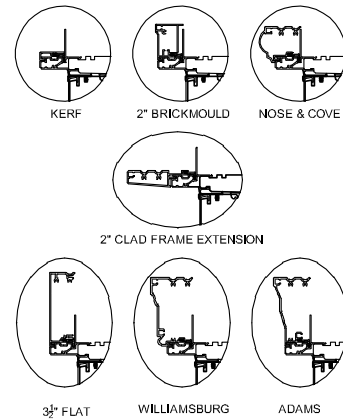
## Plan View



## Glazing Stop Profiles

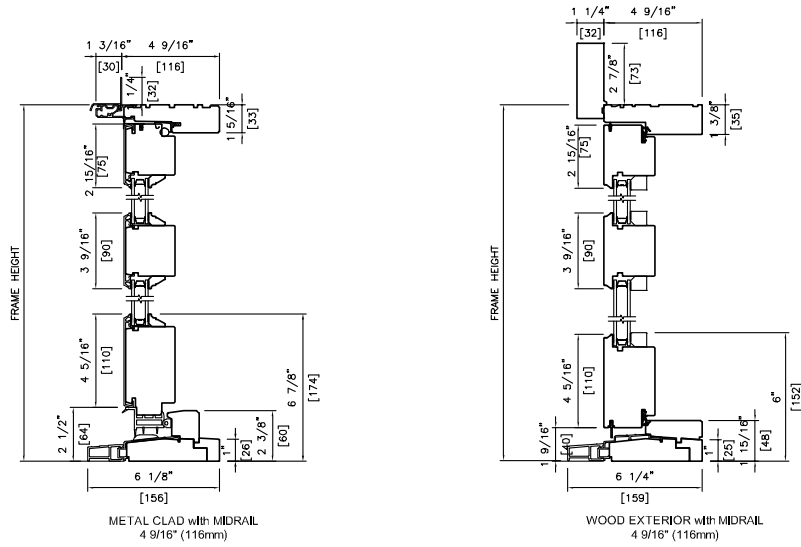


## Casing

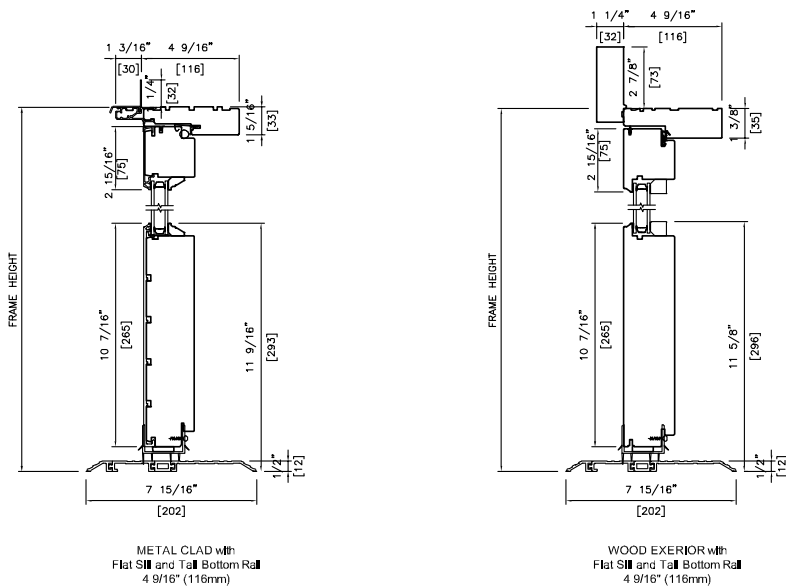


# Outswing 2 1/4" Narrow Stile Terrace/French Terrace Door Detail (Midrail)

## Plan View

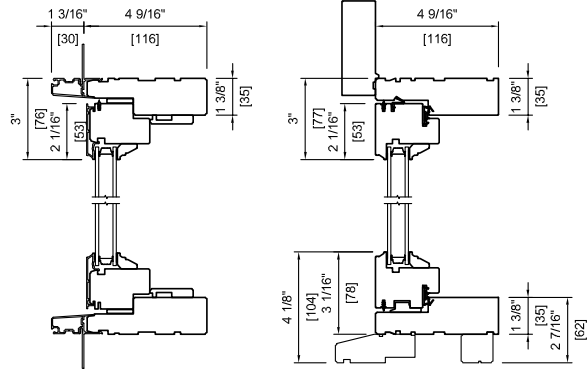


## Plan View



# Outswing 2 1/4" Narrow Stile Terrace Door Transom Detail

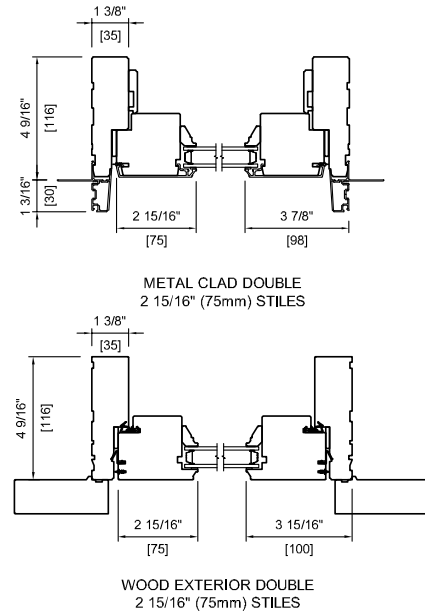
## Head & Sill



METAL CLAD DOUBLE  
2 1/16" (53mm) RAILS

WOOD EXTERIOR DOUBLE  
2 1/16" (53mm) RAILS

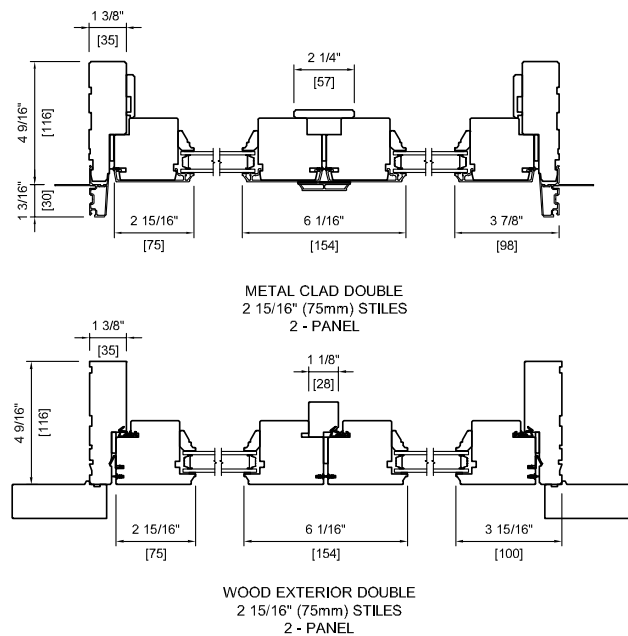
## Plan View



METAL CLAD DOUBLE  
2 15/16" (75mm) STILES

WOOD EXTERIOR DOUBLE  
2 15/16" (75mm) STILES

## Plan View

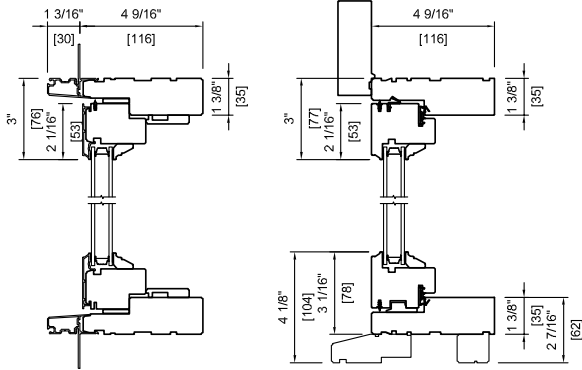


METAL CLAD DOUBLE  
2 15/16" (75mm) STILES  
2 - PANEL

WOOD EXTERIOR DOUBLE  
2 15/16" (75mm) STILES  
2 - PANEL

# Outswing 2 1/4" Narrow Stile French Terrace Door Transom Detail

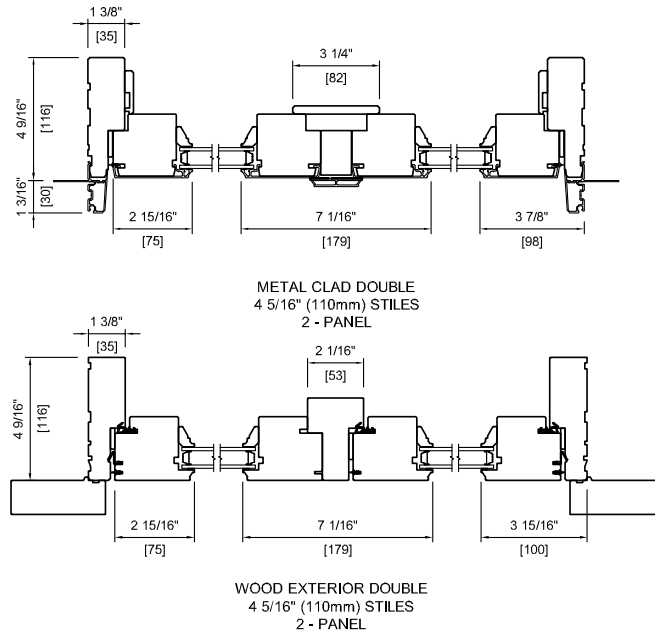
## Head & Sill



METAL CLAD DOUBLE  
2 1/16" (53mm) RAILS

WOOD EXTERIOR DOUBLE  
2 1/16" (53mm) RAILS

## Plan View



METAL CLAD DOUBLE  
4 5/16" (110mm) STILES  
2 - PANEL

WOOD EXTERIOR DOUBLE  
4 5/16" (110mm) STILES  
2 - PANEL

# Narrow Stile French Terrace Door

## 2 Wide Sizes

					Width							
<b>Rough Opening Inswing with Jamb Extension<sup>1</sup></b> <div style="margin-left: 20px;"><b>Rough Opening<sup>2</sup></b></div> <div style="margin-left: 40px;"><b>Frame</b></div> <div style="margin-left: 60px;"><b>Panel</b></div> <div style="margin-left: 80px;"><b>Visible Glass</b></div>					61 9/16 [1564]	68 1/8 [1730]	73 3/8 [1864]	81 1/4 [2064]				
					60 15/16 [1548]	67 1/2 [1714]	72 3/4 [1848]	80 5/8 [2048]				
					60 3/16 [1529]	66 3/4 [1695]	72 [1829]	79 7/8 [2029]				
					28 9/16 [726]	31 7/8 [809]	34 1/2 [876]	38 7/16 [976]				
					22 11/16 [576]	25 15/16 [659]	28 9/16 [726]	32 1/2 [826]				
					TRANSOM							
16 5/8 [422]	16 5/16 [415]	15 3/4 [400]	13 7/8 [352]	9 11/16 [246]	*FDT2 1504	*FDT2 1604	*FDT2 1804	*FDT2 2004				
24 1/2 [622]	24 3/16 [615]	23 5/8 [600]	21 3/4 [552]	17 9/16 [446]	*FDT2 1506	*FDT2 1606	*FDT2 1806	*FDT2 2006				
					DOORS							
80 3/8 [2042]	80 1/8 [2035]	79 1/2 [2020]	76 7/16 [1942]	68 13/16 [1748]	FD2 1520	FD2 1620	FD2 1820	FD2 2020				
82 3/16 [2087]	81 7/8 [2080]	81 5/16 [2065]	78 1/4 [1987]	70 9/16 [1793]	FD2 1521	FD2 1621	FD2 1821	FD2 2021				
86 7/8 [2206]	86 9/16 [2199]	86 [2184]	82 15/16 [2106]	75 1/4 [1912]	FD2 1570	FD2 1670	FD2 1870	FD2 2070				
95 3/8 [2422]	95 1/16 [2415]	94 1/2 [2400]	91 7/16 [2322]	83 3/4 [2128]	FD2 1524	FD2 1624	FD2 1824	FD2 2024				
98 1/4 [2496]	98 [2489]	97 3/8 [2474]	94 5/16 [2396]	86 11/16 [2202]	FD2 1580	FD2 1680	FD2 1880					
99 15/16 [2538]	99 5/8 [2531]	99 1/16 [2516]	96 [2438]	88 3/8 [2244]	FD2 1525	FD2 1625	FD2 1825					
107 3/16 [2722]	106 7/8 [2715]	106 5/16 [2700]	103 1/4 [2622]	95 9/16 [2428]	FD2 1527	FD2 1627	FD2 1827					
					Product Code							

Glass Size = Visible Glass + 15/16" (24 mm)

**Standard sizes Shown. Additional sizes may be available. Custom sizes can be ordered.**

- Note:**
- SDL/Grille patterns are dependent on SDL/Grille type and window size. Please verify SDL/Grille patterns before confirming your order.
  - Half round doors are available in wood exterior.
    - \* Transom units.
    - 1 Inswing doors with jamb extensions (other than 4 9/16" (116 mm) & 6 9/16" (166 mm) full jamb).
    - 2 Outswing doors (all) and inswing doors without jamb extensions (4 9/16" (116 mm) & 6 9/16" (166 mm) full jamb).

# Narrow Stile French Terrace Door

## 3 Wide Sizes

					Width		
<b>Rough Opening Inswing with Jamb Extension<sup>1</sup></b>					90 3/16 [2290]	100 [2539]	107 7/8 [2740]
<b>Rough Opening<sup>2</sup></b>					89 1/2 [2274]	99 5/16 [2523]	107 1/4 [2724]
<b>Frame</b>					88 3/4 [2255]	98 9/16 [2504]	106 1/2 [2705]
<b>Panel</b>					28 9/16 [726]	31 7/8 [809]	34 1/2 [876]
<b>Visible Glass</b>					22 11/16 [576]	25 15/16 [659]	28 9/16 [726]
					<b>TRANSOM</b>		
16 5/8 [422]	16 5/16 [415]	15 3/4 [400]	13 7/8 [352]	9 11/16 [246]	*FDT3 2204	*FDT3 2404	*FDT3 2704
24 1/2 [622]	24 3/16 [615]	23 5/8 [600]	21 3/4 [552]	17 9/16 [446]	*FDT3 2206	*FDT3 2406	*FDT3 2706
					<b>DOORS</b>		
80 3/8 [2042]	80 1/8 [2035]	79 1/2 [2020]	76 7/16 [1942]	68 13/16 [1748]	FD3 2220	FD3 2420	FD3 2720
82 3/16 [2087]	81 7/8 [2080]	81 5/16 [2065]	78 1/4 [1987]	70 9/16 [1793]	FD3 2221	FD3 2421	FD3 2721
86 7/8 [2206]	86 9/16 [2199]	86 [2184]	82 15/16 [2106]	75 1/4 [1912]	FD3 2270	FD3 2470	FD3 2770
95 3/8 [2422]	95 1/16 [2415]	94 1/2 [2400]	91 7/16 [2322]	83 3/4 [2128]	FD3 2224	FD3 2424	FD3 2724
98 1/4 [2496]	98 [2489]	97 3/8 [2474]	94 5/16 [2396]	86 11/16 [2202]	FD3 2280	FD3 2480	FD3 2780
99 15/16 [2538]	99 5/8 [2531]	99 1/16 [2516]	96 [2438]	88 3/8 [2244]	FD3 2225	FD3 2425	FD3 2725
107 3/16 [2722]	106 7/8 [2715]	106 5/16 [2700]	103 1/4 [2622]	95 9/16 [2428]	FD3 2227	FD3 2427	FD3 2727
					<b>Product Code</b>		

Glass Size = Visible Glass + 15/16" (24 mm)

**Standard sizes Shown. Additional sizes may be available. Custom sizes can be ordered.**

- Note:**
- SDL/Grille patterns are dependent on SDL/Grille type and window size. Please verify SDL/Grille patterns before confirming your order.
  - Half round doors are available in wood exterior.
    - \* Transom units.
    - 1 Inswing doors with jamb extensions (other than 4 9/16" (116 mm) & 6 9/16" (166 mm) full jamb).
    - 2 Outswing doors (all) and inswing doors without jamb extensions (4 9/16" (116 mm) & 6 9/16" (166 mm) full jamb).

# Narrow Stile French Terrace Door 4 Wide Sizes

					Width			
<b>Rough Opening Inswing with Jamb Extension<sup>1</sup></b>					118 3/4 [3016]	131 13/16 [3348]	142 3/8 [3616]	158 1/8 [4016]
<b>Rough Opening<sup>2</sup></b>					118 1/8 [3000]	131 3/16 [3332]	141 3/4 [3600]	157 1/2 [4000]
<b>Frame</b>					117 3/8 [2981]	130 7/16 [3313]	141 [3581]	156 3/4 [3981]
<b>Panel</b>					28 9/16 [726]	31 7/8 [809]	34 1/2 [876]	38 7/16 [976]
<b>Visible Glass</b>					22 11/16 [576]	25 15/16 [659]	28 9/16 [726]	32 1/2 [826]
					<b>TRANSOM</b>			
16 5/8 [422]	16 5/16 [415]	15 3/4 [400]	13 7/8 [352]	9 11/16 [246]	*FDT4 3004	*FDT4 3304	*FDT4 3604	*FDT4 4004
24 1/2 [622]	24 3/16 [615]	23 5/8 [600]	21 3/4 [552]	17 9/16 [446]	*FDT4 3006	*FDT4 3306	*FDT4 3606	*FDT4 4006
					<b>DOORS</b>			
80 3/8 [2042]	80 1/8 [2035]	79 1/2 [2020]	76 7/16 [1942]	68 13/16 [1748]	FD4 3020	FD4 3320	FD4 3620	FD4 4020
82 3/16 [2087]	81 7/8 [2080]	81 5/16 [2065]	78 1/4 [1987]	70 9/16 [1793]	FD4 3021	FD4 3321	FD4 3621	FD4 4021
86 7/8 [2206]	86 9/16 [2199]	86 [2184]	82 15/16 [2106]	75 1/4 [1912]	FD4 3070	FD4 3370	FD4 3670	FD4 4070
95 3/8 [2422]	95 1/16 [2415]	94 1/2 [2400]	91 7/16 [2322]	83 3/4 [2128]	FD4 3024	FD4 3324	FD4 3624	FD4 4024
98 1/4 [2496]	98 [2489]	97 3/8 [2474]	94 5/16 [2396]	86 11/16 [2202]	FD4 3080	FD4 3380	FD4 3680	
99 15/16 [2538]	99 5/8 [2531]	99 1/16 [2516]	96 [2438]	88 3/8 [2244]	FD4 3025	FD4 3325	FD4 3625	
107 3/16 [2722]	106 7/8 [2715]	106 5/16 [2700]	103 1/4 [2622]	95 9/16 [2428]	FD4 30027	FD4 3327	FD4 3627	
					<b>Product Code</b>			

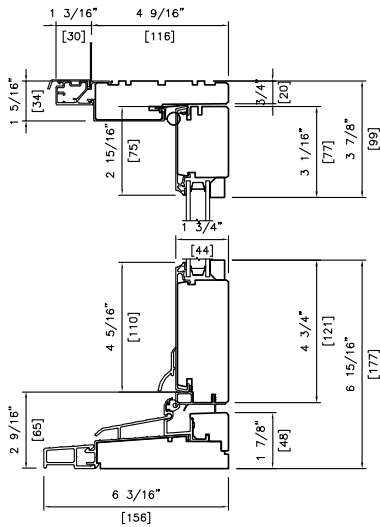
Glass Size = Visible Glass + 15/16" (24 mm)

**Standard sizes Shown. Additional sizes may be available. Custom sizes can be ordered.**

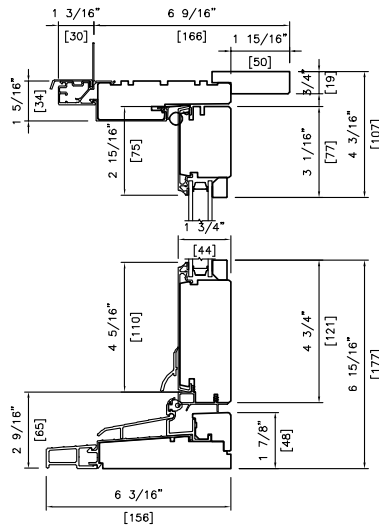
- Note:**
- SDL/Grille patterns are dependent on SDL/Grille type and window size. Please verify SDL/Grille patterns before confirming your order.
  - Half round doors are available in wood exterior.
    - \* Transom units.
    - 1 Inswing doors with jamb extensions (other than 4 9/16" (116 mm) & 6 9/16" (166 mm) full jamb).
    - 2 Outswing doors (all) and inswing doors without jamb extensions (4 9/16" (116 mm) & 6 9/16" (166 mm) full jamb).

# Inswing 3" Narrow Stile French Terrace Door Detail

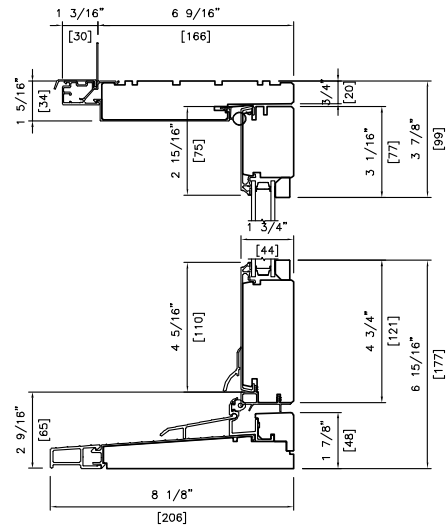
## Head & Sill Detail



METAL CLAD DOUBLE  
4  $\frac{3}{8}$ " (116 mm)

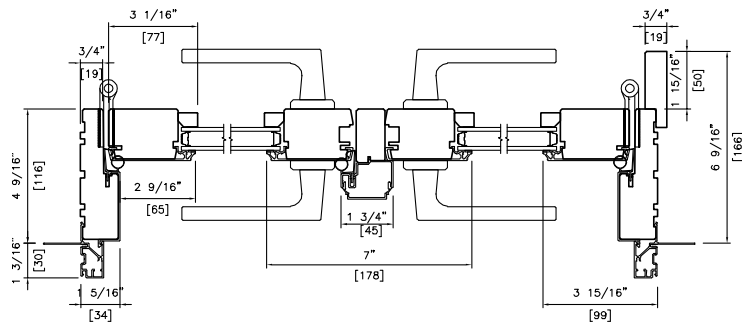


METAL CLAD DOUBLE  
6  $\frac{3}{8}$ " (166 mm)

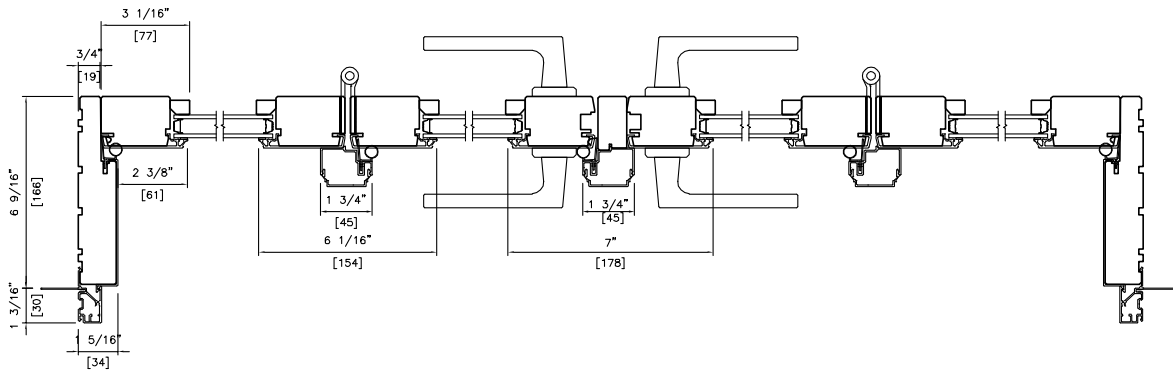


METAL CLAD DOUBLE  
6  $\frac{3}{8}$ " (166 mm)  
FULL JAMB

## Plan View

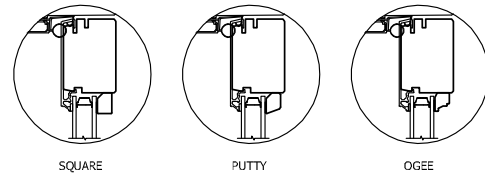


METAL CLAD DOUBLE  
TWO PANEL  
4  $\frac{3}{8}$ " / 6  $\frac{3}{8}$ " (116 mm / 166 mm)



METAL CLAD DOUBLE  
FOUR PANEL  
6  $\frac{3}{8}$ " (166 mm)

## Glazing Stop Profiles

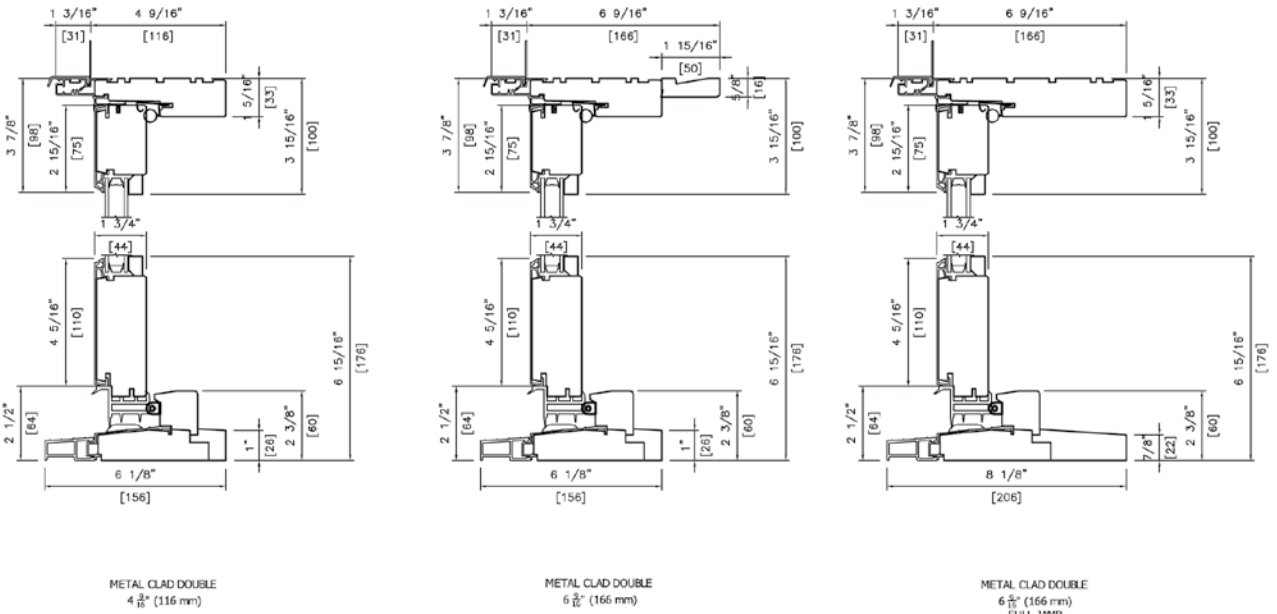


Note: • Other jamb widths available.  
• All dimensions to have +/- 1/16" (2mm) tolerance.

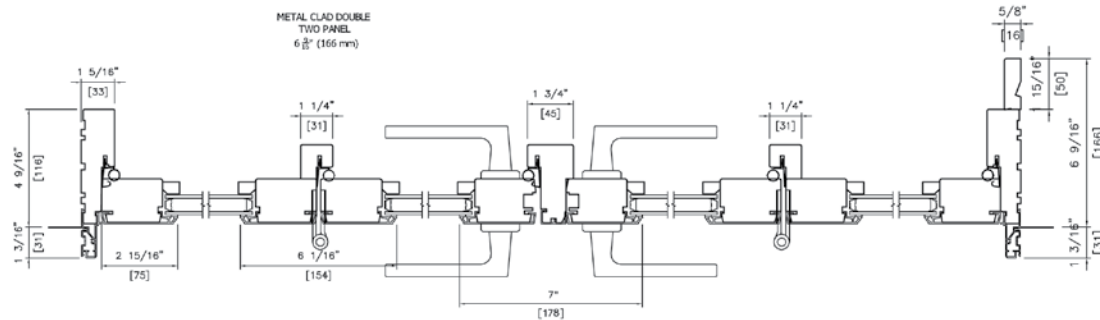
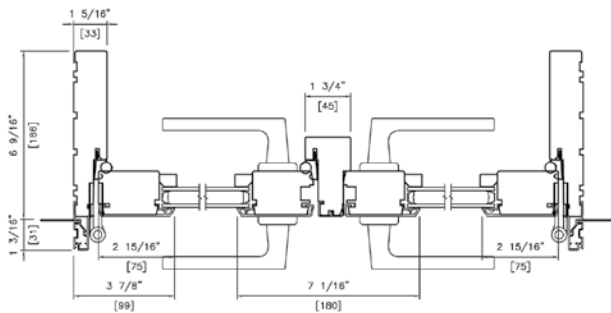


# Outswing 3" Narrow Stile French Terrace Door Detail

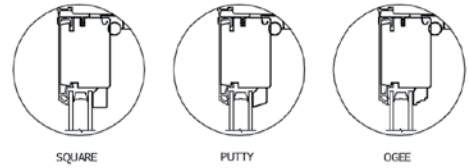
## Head & Sill Detail



## Plan View



## Glazing Stop Profiles



Note:

- Other jamb widths available.
- All dimensions to have +/- 1/16" (2mm) tolerance.

# Terrace Door & Transom 1 Wide Door Sizes

					Width											
<b>Rough Opening Inswing with Jamb Extension<sup>1</sup></b> <div style="border: 1px solid black; padding: 5px; margin: 5px;"> <b>Rough Opening<sup>2</sup></b>  <div style="border: 1px solid black; padding: 5px; margin: 5px;"> <b>Frame</b>  <div style="border: 1px solid black; padding: 5px; margin: 5px;"> <b>Panel</b>  <div style="border: 1px solid black; padding: 5px; margin: 5px;"> <b>Visible Glass</b> </div> </div> </div> </div>					19 1/8 [485]	25 [635]	31 7/8 [809]	35 1/8 [892]	37 3/4 [959]	41 11/16 [1059]	45 1/4 [1150]					
					18 7/16 [469]	24 3/8 [619]	31 1/4 [793]	34 1/2 [876]	37 1/8 [943]	41 1/16 [1043]	44 5/8 [1134]					
					17 11/16 [450]	23 5/8 [600]	30 1/2 [774]	33 3/4 [857]	36 3/8 [924]	40 5/16 [1024]	43 7/8 [1115]					
					15 13/16 [402]	21 3/4 [552]	28 9/16 [726]	31 7/8 [809]	34 1/2 [876]	38 7/16 [976]	42 [1067]					
					7 3/16 [182]	13 1/16 [332]	19 15/16 [506]	23 3/16 [589]	25 13/16 [656]	29 3/4 [756]	33 3/8 [847]					
					TRANSOM											
16 5/8 [422]	16 5/16 [415]	15 3/4 [400]	13 7/8 [352]	9 11/16 [246]	* TDT1 0404	* TDT1 0604	* TDT1 0704	* TDT1 0804	* TDT1 0904	* TDT1 1004	* TDT1 1104					
24 1/2 [622]	24 3/16 [615]	23 5/8 [600]	21 3/4 [552]	17 9/16 [446]	* TDT1 0406	* TDT1 0606	* TDT1 0706	* TDT1 0806	* TDT1 0906	* TDT1 1006	* TDT1 1106					
					VENTING SIDELITES				DOORS							
80 3/8 [2042]	80 1/8 [2035]	79 1/2 [2020]	76 7/16 [1942]	63 7/8 [1623]	^ VTD1 0420	^ VTD1 0620	TD1 0720	TD1 0820	TD1 0920	TD1 1020	TD1 1120					
82 3/16 [2087]	81 7/8 [2080]	81 5/16 [2065]	78 1/4 [1987]	65 11/16 [1668]	^ VTD1 0421	^ VTD1 0621	TD1 0721	TD1 0821	TD1 0921	TD1 1021	TD1 1121					
86 7/8 [2206]	86 9/16 [2199]	86 [2184]	82 15/16 [2106]	70 3/8 [1787]	^ VTD1 0470	^ VTD1 0670	TD1 0770	TD1 0870	TD1 0970	TD1 1070	TD1 1170					
95 3/8 [2422]	95 1/16 [2415]	94 1/2 [2400]	91 7/16 [2322]	78 7/8 [2003]	^ VTD1 0424	^ VTD1 0624	TD1 0724	TD1 0824	TD1 0924	TD1 1024	TD1 1124					
98 1/4 [2496]	98 [2489]	97 3/8 [2474]	94 5/16 [2396]	81 3/4 [2077]	^ VTD1 0480	^ VTD1 0680	TD1 0780	TD1 0880	TD1 0980	TD1 1080	TD1 1180					
99 15/16 [2538]	99 5/8 [2531]	99 1/16 [2516]	96 [2438]	83 7/16 [2119]	^ VTD1 0425	^ VTD1 0625	TD1 0725	TD1 0825	TD1 0925	TD1 1025	TD1 1125					
107 3/16 [2722]	106 7/8 [2715]	106 5/16 [2700]	103 1/4 [2622]	90 11/16 [2303]	^ VTD1 0427	^ VTD1 0627	TD1 0727	TD1 0827	TD1 0927	TD1 1027	TD1 1127					
					Product Code											

Glass Size = Visible Glass + 15/16" (24 mm)

**Standard sizes Shown. Additional sizes may be available. Custom sizes can be ordered.**

- Note:**
- SDL/Grille patterns are dependent on SDL/Grille type and window size. Please verify SDL/Grille patterns before confirming your order.
  - Half round doors are available in wood exterior.
    - \* Transom units.
    - ^ Venting or Fixed.
    - 1 Inswing doors with jamb extensions (other than 4 9/16" (116 mm) & 6 9/16" (166 mm) full jamb).
    - 2 Outswing doors (all) and inswing doors without jamb extensions (4 9/16" (116 mm) & 6 9/16" (166 mm) full jamb).

# Terrace Door & Transom 2 Wide Door Sizes

Width

Height

Rough Opening Inswing with Jamb Extension <sup>1</sup>					46 3/4" [1187]	60 7/16" [1535]	66 15/16" [1701]	72 1/4" [1835]	80 1/8" [2035]	87 5/16" [2217]
Rough Opening <sup>2</sup>					46 1/8" [1171]	59 13/16" [1519]	66 5/16" [1685]	71 5/8" [1819]	79 1/2" [2019]	86 5/8" [2201]
Frame					45 3/8" [1152]	59 1/16" [1500]	65 9/16" [1666]	70 7/8" [1800]	78 3/4" [2000]	85 7/8" [2182]
Panel					21 3/4" [552]	28 9/16" [726]	31 7/8" [809]	34 1/2" [876]	38 7/16" [976]	42" [1067]
Visible Glass					13 1/16" [332]	19 15/16" [506]	23 3/16" [589]	25 13/16" [656]	29 3/4" [756]	33 3/8" [847]
					TRANSOM					
16 5/8 [422]	16 5/16 [415]	15 3/4 [400]	13 7/8 [352]	9 11/16 [246]	* TDT2 1204	* TDT2 1504	* TDT2 1604	* TDT2 1804	* TDT2 2004	* TDT2 2204
24 1/2 [622]	24 3/16 [615]	23 5/8 [600]	21 3/4 [552]	17 9/16 [446]	* TDT2 1206	* TDT2 1506	* TDT2 1606	* TDT2 1806	* TDT2 2006	* TDT2 2206
					DOORS					
80 3/8 [2042]	80 1/8 [2035]	79 1/2 [2020]	76 7/16 [1942]	63 7/8 [1623]	TD2 1220	TD2 1520	TD2 1620	TD2 1820	TD2 2020	TD2 2220
82 3/16 [2087]	81 7/8 [2080]	81 5/16 [2065]	78 1/4 [1987]	65 11/16 [1668]	TD2 1221	TD2 1521	TD2 1621	TD2 1821	TD2 2021	TD2 2221
86 7/8 [2206]	86 9/16 [2199]	86 [2184]	82 15/16 [2106]	70 3/8 [1787]	TD2 1270	TD2 1570	TD2 1670	TD2 1870	TD2 2070	TD2 2270
95 3/8 [2422]	95 1/16 [2415]	94 1/2 [2400]	91 7/16 [2322]	78 7/8 [2003]	TD2 1224	TD2 1524	TD2 1624	TD2 1824	TD2 2024	TD2 2224
98 1/4 [2496]	98 [2489]	97 3/8 [2474]	94 5/16 [2396]	81 3/4 [2077]	TD2 1280	TD2 1580	TD2 1680	TD2 1880	TD2 2080	TD2 2280
99 15/16 [2538]	99 5/8 [2531]	99 1/16 [2516]	96 [2438]	83 7/16 [2119]	TD2 1225	TD2 1525	TD2 1625	TD2 1825	TD2 2025	TD2 2225
107 3/16 [2722]	106 7/8 [2715]	106 5/16 [2700]	103 1/4 [2622]	90 11/16 [2303]	TD2 1227	TD2 1527	TD2 1627	TD2 1827	TD2 2027	TD2 2227

Product Code

Glass Size = Visible Glass + 15/16" (24 mm)

Standard sizes Shown. Additional sizes may be available. Custom sizes can be ordered.

- Note:
- SDL/Grille patterns are dependent on SDL/Grille type and window size. Please verify SDL/Grille patterns before confirming your order.
  - Half round doors are available in wood exterior.
    - \* Transom units.
    - ^ Venting or Fixed.
    - 1 Inswing doors with jamb extensions (other than 4 9/16" (116 mm) & 6 9/16" (166 mm) full jamb).
    - 2 Outswing doors (all) and inswing doors without jamb extensions (4 9/16" (116 mm) & 6 9/16" (166 mm) full jamb).

# Terrace Door & Transom

## 3 Wide Door Sizes

					Width				
<b>Rough Opening Inswing with Jamb Extension<sup>1</sup></b> <div style="margin-left: 20px;"><b>Rough Opening<sup>2</sup></b></div> <div style="margin-left: 40px;"><b>Frame</b></div> <div style="margin-left: 60px;"><b>Panel</b></div> <div style="margin-left: 80px;"><b>Visible Glass</b></div>					89" [2261]	98 13/16" [2510]	106 3/4" [2711]	118 9/16" [3011]	129 5/8" [3293]
					88 3/8" [2245]	98 3/16" [2494]	106 1/16" [2695]	117 7/8" [2995]	129" [3277]
					87 5/8" [2226]	97 7/16" [2475]	105 5/16" [2676]	117 1/8" [2976]	128 1/4" [3258]
					28 9/16" [726]	31 7/8" [809]	34 1/2" [876]	38 7/16" [976]	42" [1067]
					19 15/16" [506]	23 3/16" [589]	25 13/16" [656]	29 3/4" [756]	33 3/8" [847]
					TRANSOM				
16 5/8 [422]	16 5/16 [415]	15 3/4 [400]	13 7/8 [352]	9 11/16 [246]	* TDT3 2204	* TDT3 2404	* TDT3 2704	* TDT3 3004	* TDT3 3204
24 1/2 [622]	24 3/16 [615]	23 5/8 [600]	21 3/4 [552]	17 9/16 [446]	* TDT3 2206	* TDT3 2406	* TDT3 2706	* TDT3 3006	* TDT3 3206
					DOORS				
80 3/8 [2042]	80 1/8 [2035]	79 1/2 [2020]	76 7/16 [1942]	63 7/8 [1623]	TD3 2220	TD3 2420	TD3 2720	TD3 3020	TD3 3220
82 3/16 [2087]	81 7/8 [2080]	81 5/16 [2065]	78 1/4 [1987]	65 11/16 [1668]	TD3 2221	TD3 2421	TD3 2721	TD3 3021	TD3 3221
86 7/8 [2206]	86 9/16 [2199]	86 [2184]	82 15/16 [2106]	70 3/8 [1787]	TD3 2270	TD3 2470	TD3 2770	TD3 3070	TD3 3270
95 3/8 [2422]	95 1/16 [2415]	94 1/2 [2400]	91 7/16 [2322]	78 7/8 [2003]	TD3 2224	TD3 2424	TD3 2724	TD3 3024	TD3 3224
98 1/4 [2496]	98 [2489]	97 3/8 [2474]	94 5/16 [2396]	81 3/4 [2077]	TD3 2280	TD3 2480	TD3 2780	TD3 3080	TD3 3280
99 15/16 [2538]	99 5/8 [2531]	99 1/16 [2516]	96 [2438]	83 7/16 [2119]	TD3 2225	TD3 2425	TD3 2725	TD3 3025	TD3 3225
107 3/16 [2722]	106 7/8 [2715]	106 5/16 [2700]	103 1/4 [2622]	90 11/16 [2303]	TD3 2227	TD3 2427	TD3 2727	TD3 3027	TD3 3227
					Product Code				

Glass Size = Visible Glass + 15/16" (24 mm)

**Standard sizes Shown. Additional sizes may be available. Custom sizes can be ordered.**

- Note:**
- SDL/Grille patterns are dependent on SDL/Grille type and window size. Please verify SDL/Grille patterns before confirming your order.
  - Half round doors are available in wood exterior.
    - \* Transom units.
    - ^ Venting or Fixed.
    - 1 Inswing doors with jamb extensions (other than 4 9/16" (116 mm) & 6 9/16" (166 mm) full jamb).
    - 2 Outswing doors (all) and inswing doors without jamb extensions (4 9/16" (116 mm) & 6 9/16" (166 mm) full jamb).

# Terrace Door & Transom 4 Wide Door Sizes

Width

Height

Rough Opening Inswing with Jamb Extension <sup>1</sup>					117 5/8" [2988]	130 11/16" [3320]	141 1/4" [3588]	157" [3988]	171 5/16" [4352]
Rough Opening <sup>2</sup>					117" [2972]	130 1/16" [3304]	140 5/8" [3572]	156 3/8" [3972]	170 11/16" [4336]
Frame					116 1/4" [2953]	129 5/16" [3285]	139 7/8" [3553]	155 5/8" [3953]	169 15/16" [4317]
Panel					28 9/16" [726]	31 7/8" [809]	34 1/2" [876]	38 7/16" [976]	42" [1067]
Visible Glass					19 15/16" [506]	23 3/16" [589]	25 13/16" [656]	29 3/4" [756]	33 3/8" [847]
					TRANSOM				
16 5/8 [422]	16 5/16 [415]	15 3/4 [400]	13 7/8 [352]	9 11/16 [246]	* TDT4 3004	* TDT4 3204	* TDT4 3604	* TDT4 4004	* TDT4 4304
24 1/2 [622]	24 3/16 [615]	23 5/8 [600]	21 3/4 [552]	17 9/16 [446]	* TDT4 3006	* TDT4 3206	* TDT4 3606	* TDT4 4006	* TDT4 4306
					DOORS				
80 3/8 [2042]	80 1/8 [2035]	79 1/2 [2020]	76 7/16 [1942]	63 7/8 [1623]	TD4 3020	TD4 3220	TD4 3620	TD4 4020	TD4 4320
82 3/16 [2087]	81 7/8 [2080]	81 5/16 [2065]	78 1/4 [1987]	65 11/16 [1668]	TD4 3021	TD4 3221	TD4 3621	TD4 4021	TD4 4321
86 7/8 [2206]	86 9/16 [2199]	86 [2184]	82 15/16 [2106]	70 3/8 [1787]	TD4 3070	TD4 3270	TD4 3670	TD4 4070	TD4 4370
95 3/8 [2422]	95 1/16 [2415]	94 1/2 [2400]	91 7/16 [2322]	78 7/8 [2003]	TD4 3024	TD4 3224	TD4 3624	TD4 4024	TD4 4324
98 1/4 [2496]	98 [2489]	97 3/8 [2474]	94 5/16 [2396]	81 3/4 [2077]	TD4 3080	TD4 3280	TD4 3680	TD4 4080	TD4 4380
99 15/16 [2538]	99 5/8 [2531]	99 1/16 [2516]	96 [2438]	83 7/16 [2119]	TD4 3025	TD4 3225	TD4 3625	TD4 4025	TD4 4325
107 3/16 [2722]	106 7/8 [2715]	106 5/16 [2700]	103 1/4 [2622]	90 11/16 [2303]	TD4 3027	TD4 3227	TD4 3627	TD4 4027	TD4 4327

Product Code

Glass Size = Visible Glass + 15/16" (24 mm)

Standard sizes Shown. Additional sizes may be available. Custom sizes can be ordered.

- Note:
- SDL/Grille patterns are dependent on SDL/Grille type and window size. Please verify SDL/Grille patterns before confirming your order.
  - Half round doors are available in wood exterior.
    - \* Transom units.
    - ^ Venting or Fixed.
    - 1 Inswing doors with jamb extensions (other than 4 9/16" (116 mm) & 6 9/16" (166 mm) full jamb).
    - 2 Outswing doors (all) and inswing doors without jamb extensions (4 9/16" (116 mm) & 6 9/16" (166 mm) full jamb).

# Cambertop Terrace Door 1 Wide Door Sizes

					Width									
Rough Opening Inswing with Jamb Extension <sup>1</sup>					31 7/8 [809]	35 1/82 [892]	37 3/4 [959]	41 11/16 [1059]	45 1/4 [1150]					
					Rough Opening <sup>2</sup>					31 1/4 [793]	34 1/2 [876]	37 1/8 [943]	41 1/16 [1043]	44 5/8 [1134]
										Frame				
					Panel									
										Visible Glass				
80 3/8 [2042]	80 1/8 [2035]	79 1/2 [2020]	76 7/16 [1942]	63 15/16 [1624]	CTTD1 0720	CTTD1 0820	CTTD1 0920	CTTD1 1020	CTTD1 1120					
82 3/16 [2087]	81 7/8 [2080]	81 5/16 [2065]	78 1/4 [1987]	65 11/16 [1668]	CTTD1 0721	CTTD1 0821	CTTD1 0921	CTTD1 1021	CTTD1 1121					
86 7/8 [2206]	86 9/16 [2199]	86 [2184]	82 15/16 [2106]	70 3/8 [1787]	CTTD1 0770	CTTD1 0870	CTTD1 0970	CTTD1 1070	CTTD1 1170					
95 3/8 [2422]	95 1/16 [2415]	94 1/2 [2400]	91 7/16 [2322]	78 7/8 [2003]	CTTD1 0724	CTTD1 0824	CTTD1 0924	CTTD1 1024	CTTD1 1124					
98 1/4 [2496]	98 [2489]	97 3/8 [2474]	94 5/16 [2396]	81 3/4 [2077]	CTTD1 0780	CTTD1 0880	CTTD1 0980	CTTD1 1080	CTTD1 1180					
99 15/16 [2538]	99 5/8 [2531]	99 1/16 [2516]	96 [2438]	83 7/16 [2119]	CTTD1 0725	CTTD1 0825	CTTD1 0925							
107 3/16 [2722]	106 7/8 [2715]	106 5/16 [2700]	103 1/4 [2622]	90 11/16 [2303]	CTTD1 0727	CTTD1 0827	CTTD1 0927							

**Product Code**

Glass Size = Visible Glass + 15/16" (24 mm)

**Standard sizes Shown. Additional sizes may be available. Custom sizes can be ordered.**

- Note:
- SDL/Grille patterns are dependent on SDL/Grille type and window size. Please verify SDL/Grille patterns before confirming your order.
  - 59 1/16" (1500 mm) radius.
  - 1 Inswing doors with jamb extensions (other than 4 9/16" (116 mm) & 6 9/16" (166 mm) full jamb).
  - 2 Outswing doors (all) and inswing doors without jamb extensions (4 9/16" (116 mm) & 6 9/16" (166 mm) full jamb).

# Cambertop Terrace Door

## 2 Wide Door Sizes

		Width										
		Rough Opening Inswing with Jamb Extension <sup>1</sup>				46 3/4 [1187]	60 7/16 [1535]	66 15/16 [1701]	72 1/4 [1835]	80 1/8 [2035]	87 5/16 [2217]	
		Rough Opening <sup>2</sup>					46 1/8 [1171]	59 13/16 [1519]	66 5/16 [1685]	70 5/8 [1819]	79 1/2 [2019]	86 5/8 [2201]
		Frame					45 3/8 [1152]	59 1/16 [1500]	65 9/16 [1666]	70 7/8 [1800]	78 3/4 [2000]	85 7/8 [2182]
		Panel					21 3/4 [552]	28 9/16 [726]	31 7/8 [809]	34 1/2 [876]	38 7/16 [976]	42 [1067]
		Visible Glass					13 1/16 [332]	19 15/16 [506]	23 3/16 [589]	25 13/16 [656]	29 3/4 [756]	33 3/8 [847]
Height	80 3/8 [2042]	80 1/8 [2035]	79 1/2 [2020]	76 7/16 [1942]	63 3/4 [1619]	CTTD2 1220	CTTD2 1520	CTTD2 1620	CTTD2 1820	CTTD2 2020	CTTD2 2220	
	82 3/16 [2087]	81 7/8 [2080]	81 5/16 [2065]	78 1/4 [1987]	65 1/2 [1664]	CTTD2 1221	CTTD2 1521	CTTD2 1621	CTTD2 1821	CTTD2 2021	CTTD2 2221	
	86 7/8 [2206]	86 9/16 [2199]	86 [2184]	82 15/16 [2106]	70 3/16 [1783]	CTTD2 1270	CTTD2 1570	CTTD2 1670	CTTD2 1870	CTTD2 2070	CTTD2 2270	
	95 3/8 [2422]	95 1/16 [2415]	94 1/2 [2400]	91 7/16 [2322]	78 3/4 [1999]	CTTD2 1224	CTTD2 1524	CTTD2 1624	CTTD2 1824	CTTD2 2024	CTTD2 2224	
	98 1/4 [2496]	98 [2489]	97 3/8 [2474]	94 5/16 [2396]	81 3/4 [2077]	CTTD2 1280	CTTD2 1580	CTTD2 1680	CTTD2 1880	CTTD2 2080	CTTD2 2280	
	99 15/16 [2538]	99 5/8 [2531]	99 1/16 [2516]	96 [2438]	83 5/16 [2115]	CTTD2 1225	CTTD2 1525	CTTD2 1625	CTTD2 1825			
	107 3/16 [2722]	106 7/8 [2715]	106 5/16 [2700]	103 1/4 [2622]	90 1/2 [2299]	CTTD2 1227	CTTD2 1527	CTTD2 1627	CTTD2 1827			
		Product Code										

Glass Size = Visible Glass + 15/16" (24 mm)

Standard sizes Shown. Additional sizes may be available. Custom sizes can be ordered.

- Note:
- SDL/Grille patterns are dependent on SDL/Grille type and window size. Please verify SDL/Grille patterns before confirming your order.
  - 96 7/16" (2450 mm) radius.
    - 1 Inswing doors with jamb extensions (other than 4 9/16" (116 mm) & 6 9/16" (166 mm) full jamb).
    - 2 Outswing doors (all) and inswing doors without jamb extensions (4 9/16" (116 mm) & 6 9/16" (166 mm) full jamb).

# Quarter Round Terrace Door 1 Wide Door Sizes

					Width			
Height	Rough Opening Inswing with Jamb Extension <sup>1</sup>					31 7/8 [809]	35 1/82 [892]	37 3/4 [959]
	Rough Opening <sup>2</sup>					31 1/4 [793]	34 1/2 [876]	37 1/8 [943]
	Frame					30 1/2 [774]	33 3/4 [857]	36 3/8 [924]
	Panel					28 9/16 [726]	31 7/8 [809]	34 1/2 [876]
	Visible Glass					19 15/16 [506]	23 3/16 [589]	25 13/16 [656]
80 3/8 [2042]	80 1/8 [2035]	79 1/2 [2020]	76 7/16 [1942]	63 3/8 [1610]	CTTD1 0720	CTTD1 0820		
82 3/16 [2087]	81 7/8 [2080]	81 5/16 [2065]	78 1/4 [1987]	65 3/16 [1655]	CTTD1 0721	CTTD1 0821	CTTD1 0921	
86 7/8 [2206]	86 9/16 [2199]	86 [2184]	82 15/16 [2106]	69 7/8 [1774]	CTTD1 0770	CTTD1 0870	CTTD1 0970	
95 3/8 [2422]	95 1/16 [2415]	94 1/2 [2400]	91 7/16 [2322]	78 3/8 [1990]	CTTD1 0724	CTTD1 0824	CTTD1 0924	
98 1/4 [2496]	98 [2489]	97 3/8 [2474]	94 5/16 [2396]	81 3/4 [2077]	CTTD1 0780	CTTD1 0880	CTTD1 0980	
99 15/16 [2538]	99 5/8 [2531]	99 1/16 [2516]	96 [2438]	82 15/16 [2106]	CTTD1 0725	CTTD1 0825	CTTD1 0925	
107 3/16 [2722]	106 7/8 [2715]	106 5/16 [2700]	103 1/4 [2622]	90 3/16 [2290]	CTTD1 0727	CTTD1 0827	CTTD1 0927	

**Product Code**

Glass Size = Visible Glass + 15/16" (24 mm)

\* Availability of half/quarter round doors in metal clad may be limited. Consult your Authorized Loewen Dealer

**Standard sizes Shown. Additional sizes may be available. Custom sizes can be ordered.**

- Note:
- SDL/Grille patterns are dependent on SDL/Grille type and window size. Please verify SDL/Grille patterns before confirming your order.
  - Half round doors are available in wood exterior.
- 1 Inswing doors with jamb extensions (other than 4 9/16" (116 mm) & 6 9/16" (166 mm) full jamb).
  - 2 Outswing doors (all) and inswing doors without jamb extensions (4 9/16" (116 mm) & 6 9/16" (166 mm) full jamb).



# Quarter Round Terrace Door 2 Wide Door Sizes

					Width			
Height	Rough Opening Inswing with Jamb Extension <sup>1</sup>					60 7/16 [1535]	66 15/16 [1701]	72 1/4 [1835]
	Rough Opening <sup>2</sup>					59 13/16 [1519]	66 5/16 [1685]	70 5/8 [1819]
	Frame					59 1/16 [1500]	65 9/16 [1666]	70 7/8 [1800]
	Panel					28 9/16 [726]	31 7/8 [809]	34 1/2 [876]
	Visible Glass					19 15/16 [506]	23 3/16 [589]	25 13/16 [656]
						CTTD2 1520	CTTD2 1620	
80 3/8 [2042]	80 1/8 [2035]	79 1/2 [2020]	76 7/16 [1942]	63 3/8 [1610]	CTTD2 1520	CTTD2 1620		
82 3/16 [2087]	81 7/8 [2080]	81 5/16 [2065]	78 1/4 [1987]	65 3/16 [1655]	CTTD2 1521	CTTD2 1621	CTTD2 1821	
86 7/8 [2206]	86 9/16 [2199]	86 [2184]	82 15/16 [2106]	69 7/8 [1774]	CTTD2 1570	CTTD2 1670	CTTD2 1870	
95 3/8 [2422]	95 1/16 [2415]	94 1/2 [2400]	91 7/16 [2322]	78 3/8 [1990]	CTTD2 1524	CTTD2 1624	CTTD2 1824	
98 1/4 [2496]	98 [2489]	97 3/8 [2474]	94 5/16 [2396]	81 3/4 [2077]	CTTD2 1580	CTTD2 1680	CTTD2 1880	
99 15/16 [2538]	99 5/8 [2531]	99 1/16 [2516]	96 [2438]	82 15/16 [2106]	CTTD2 1525	CTTD2 1625	CTTD2 1825	
107 3/16 [2722]	106 7/8 [2715]	106 5/16 [2700]	103 1/4 [2622]	90 3/16 [2290]	CTTD2 1527	CTTD2 1627	CTTD2 1827	

Product Code

Glass Size = Visible Glass + 15/16" (24 mm)

\* Availability of half/quarter round doors in metal clad may be limited. Consult your Authorized Loewen Dealer

Standard sizes Shown. Additional sizes may be available. Custom sizes can be ordered.

Note: • SDL/Grille patterns are dependent on SDL/Grille type and window size. Please verify SDL/Grille patterns before confirming your order.

1 Inswing doors with jamb extensions (other than 4 9/16" (116 mm) & 6 9/16" (166 mm) full jamb).

2 Outswing doors (all) and inswing doors without jamb extensions (4 9/16" (116 mm) & 6 9/16" (166 mm) full jamb).

# Half Round Terrace Door 1 Wide Door Sizes (Non-Clad Only)

					Width			
Height	Rough Opening Inswing with Jamb Extension <sup>1</sup>					31 7/8 [809]	35 1/82 [892]	37 3/4 [959]
	Rough Opening <sup>2</sup>					31 1/4 [793]	34 1/2 [876]	37 1/8 [943]
	Frame					30 1/2 [774]	33 3/4 [857]	36 3/8 [924]
	Panel					28 9/16 [726]	31 7/8 [809]	34 1/2 [876]
	Visible Glass					19 15/16 [506]	23 3/16 [589]	25 13/16 [656]
80 3/8 [2042]	80 1/8 [2035]	79 1/2 [2020]	76 7/16 [1942]	63 15/16 [1624]	CTTD1 0720	CTTD1 0820		
82 3/16 [2087]	81 7/8 [2080]	81 5/16 [2065]	78 1/4 [1987]	65 11/16 [1668]	CTTD1 0721	CTTD1 0821	CTTD1 0921	
86 7/8 [2206]	86 9/16 [2199]	86 [2184]	82 15/16 [2106]	70 3/8 [1787]	CTTD1 0770	CTTD1 0870	CTTD1 0970	
95 3/8 [2422]	95 1/16 [2415]	94 1/2 [2400]	91 7/16 [2322]	78 7/8 [2003]	CTTD1 0724	CTTD1 0824	CTTD1 0924	
98 1/4 [2496]	98 [2489]	97 3/8 [2474]	94 5/16 [2396]	81 3/4 [2077]	CTTD1 0780	CTTD1 0880	CTTD1 0980	
99 15/16 [2538]	99 5/8 [2531]	99 1/16 [2516]	96 [2438]	83 7/16 [2119]	CTTD1 0725	CTTD1 0825	CTTD1 0925	
107 3/16 [2722]	106 7/8 [2715]	106 5/16 [2700]	103 1/4 [2622]	90 11/16 [2303]	CTTD1 0727	CTTD1 0827		
					Product Code			

Glass Size = Visible Glass + 15/16" (24 mm)

**Standard sizes Shown. Additional sizes may be available. Custom sizes can be ordered.**

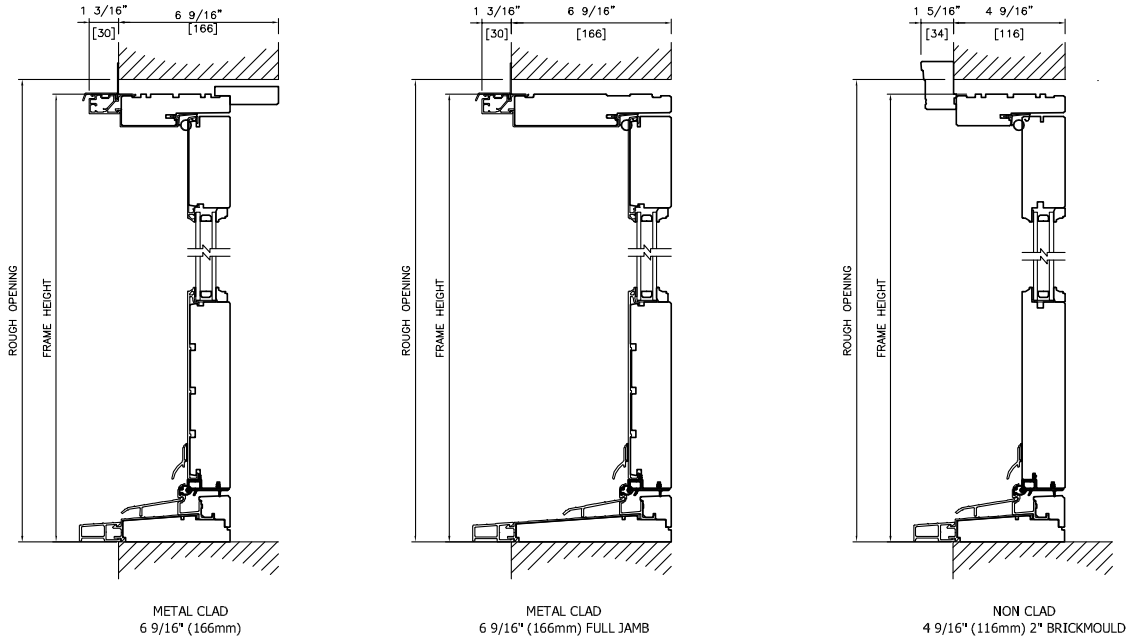
Note: • SDL/Grille patterns are dependent on SDL/Grille type and window size. Please verify SDL/Grille patterns before confirming your order.

1 Inswing doors with jamb extensions (other than 4 9/16" (116 mm) & 6 9/16" (166 mm) full jamb).

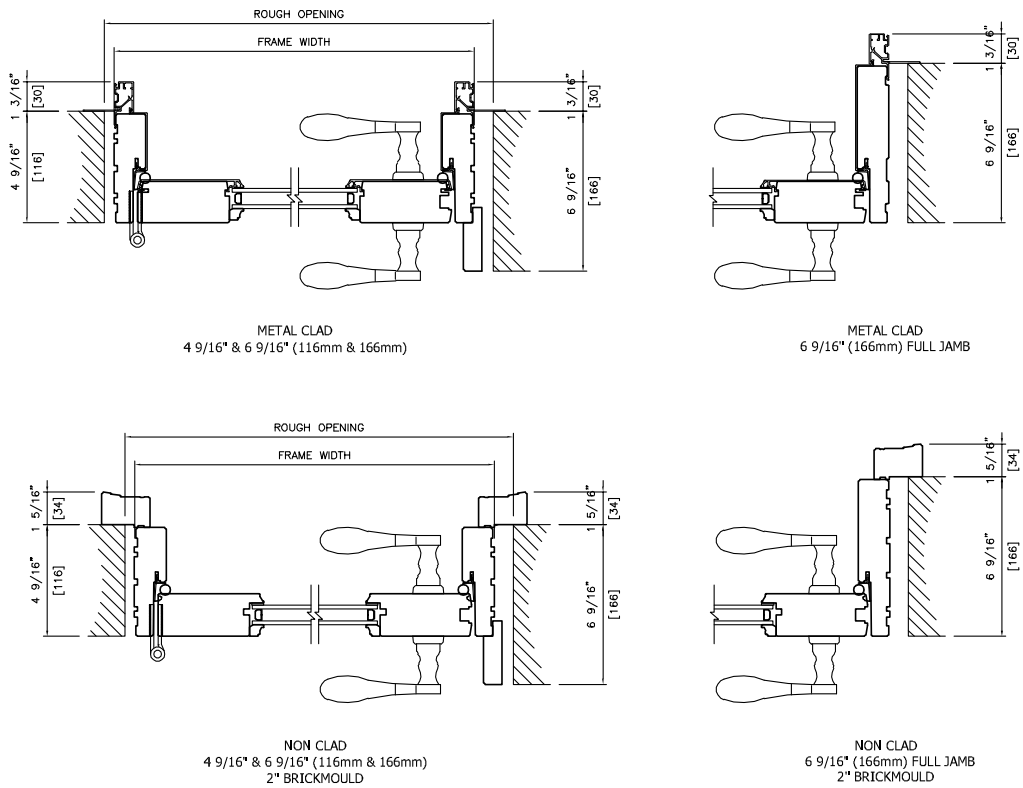
2 Outswing doors (all) and inswing doors without jamb extensions (4 9/16" (116 mm) & 6 9/16" (166 mm) full jamb).

# Inswing Terrace Door Wall Connection Detail

## Head & Sill Detail



## Plan View

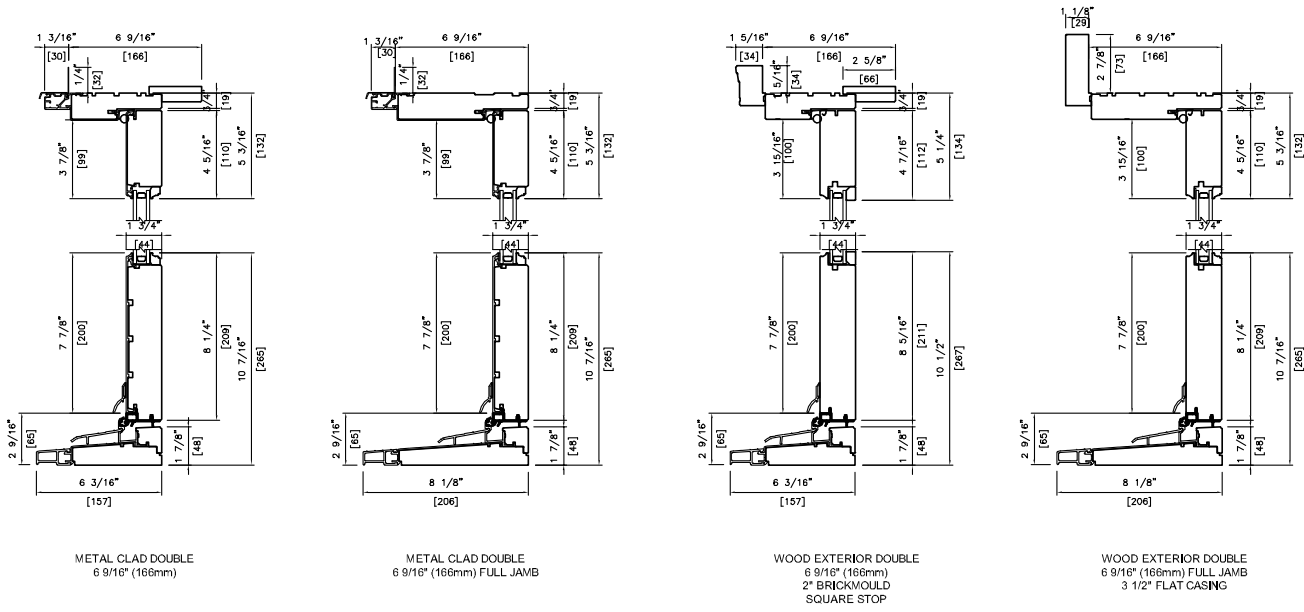


**Note:**

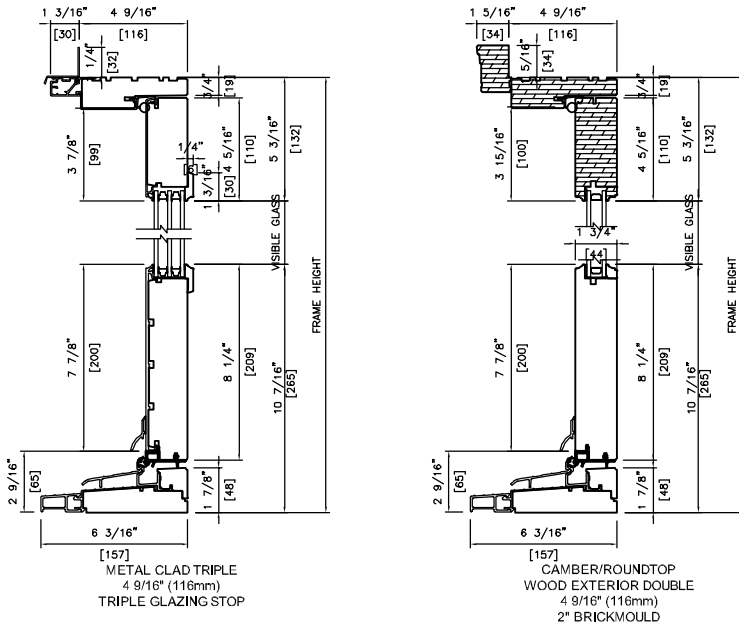
- Other jamb widths available.
- All dimensions to have +/- 1/16" (2mm) tolerance.

# Inswing Terrace Door Detail

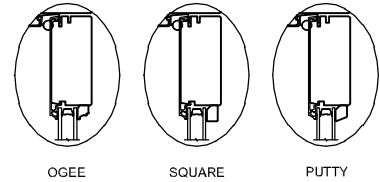
## Head & Sill Detail



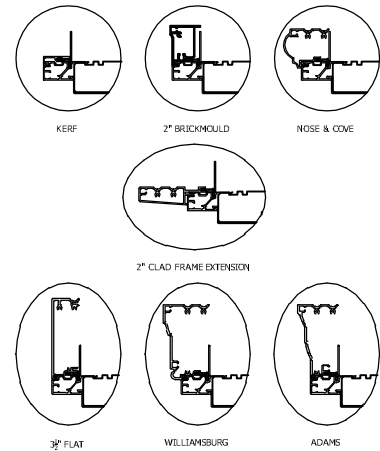
## Head & Sill Detail



## Glazing Stop Profiles



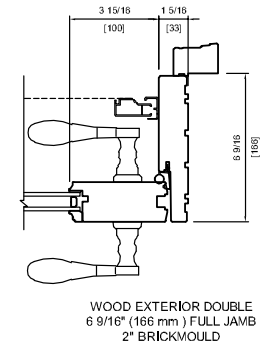
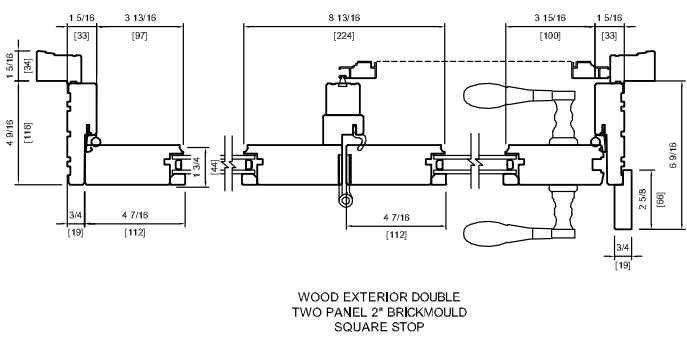
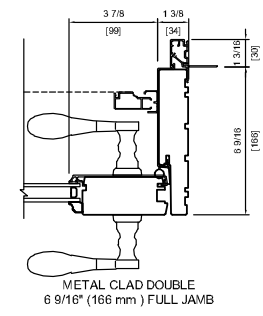
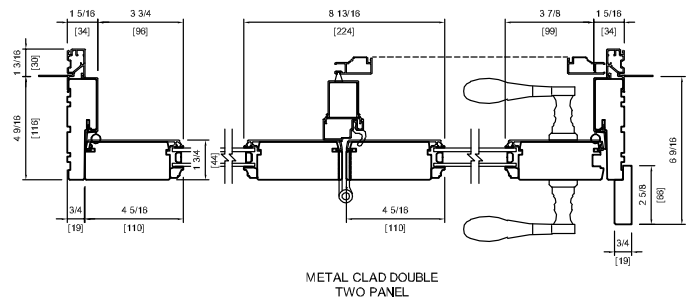
## Casing



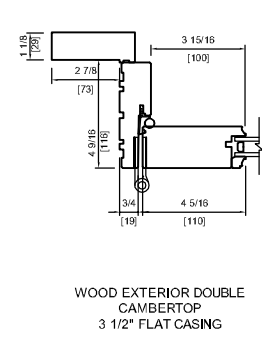
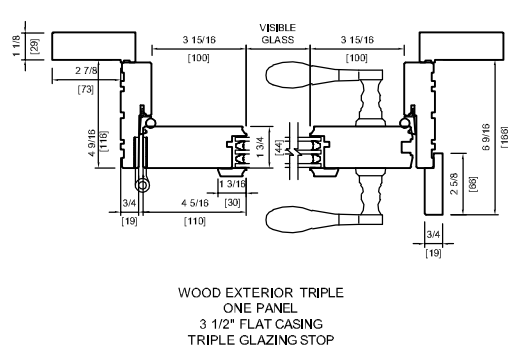
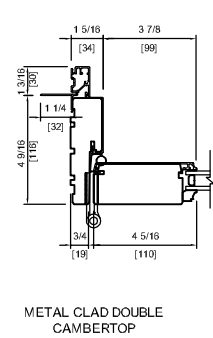
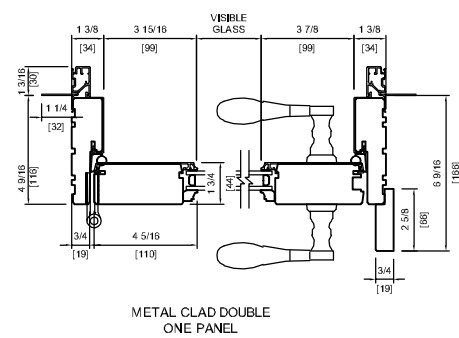
Note: • Other jamb widths available.  
• All dimensions to have +/- 1/16" (2mm) tolerance.

# Inswing Terrace Door Detail

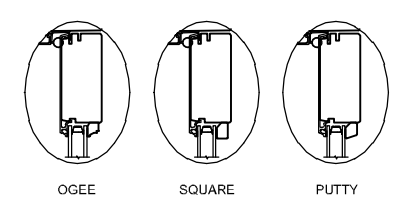
## Head & Sill Detail



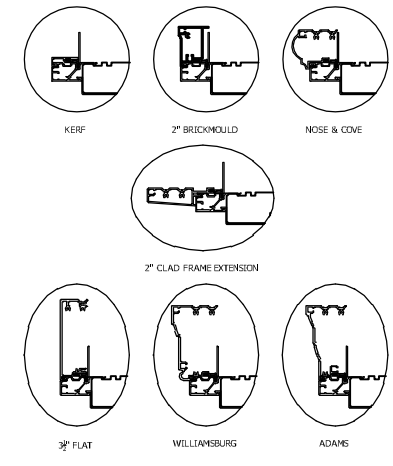
## Head & Sill Detail



## Glazing Stop Profiles



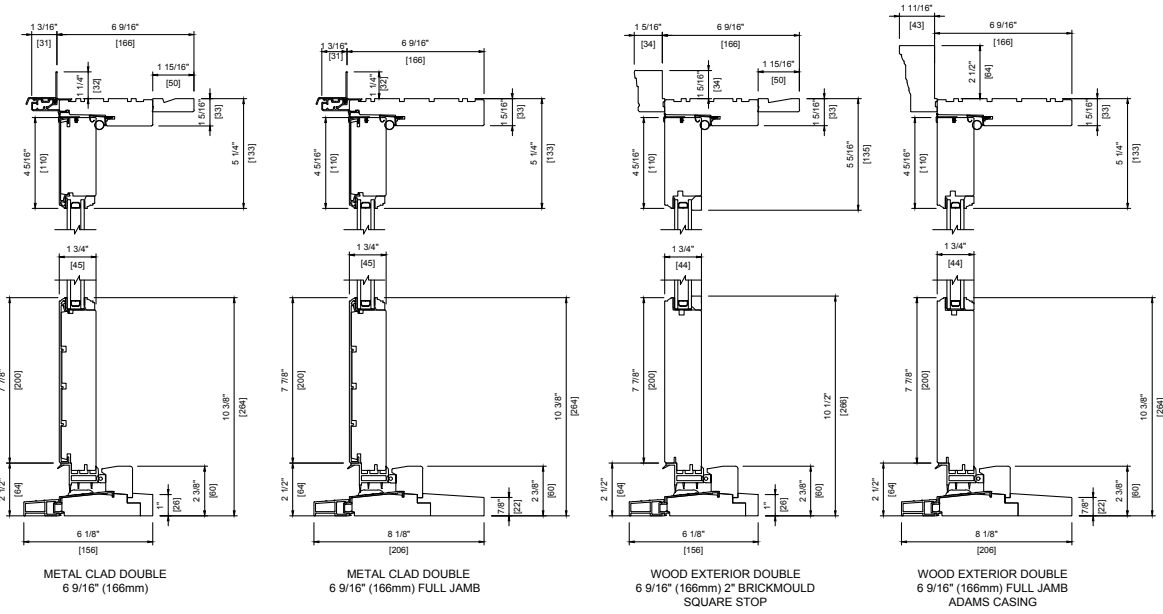
## Casing



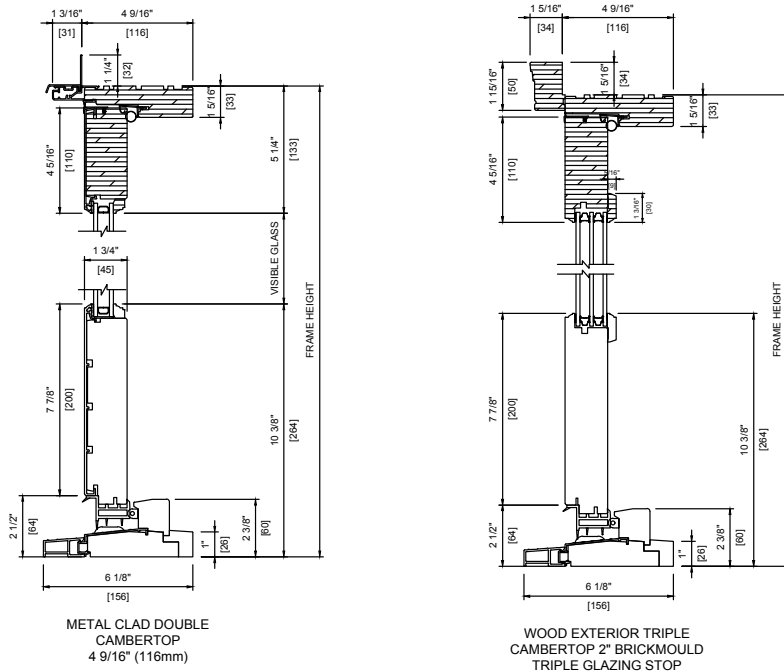
Note: • Other jamb widths available.  
• All dimensions to have +/- 1/16" (2mm) tolerance.

# Outswing Terrace Door Detail

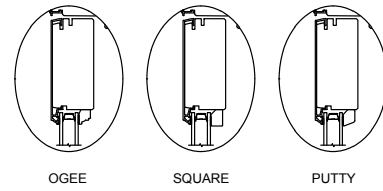
## Head & Sill Detail



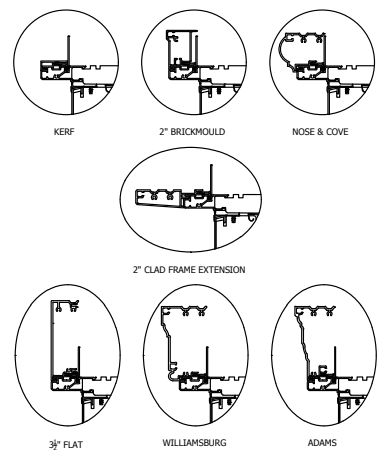
## Head & Sill Detail



## Glazing Stop Profiles



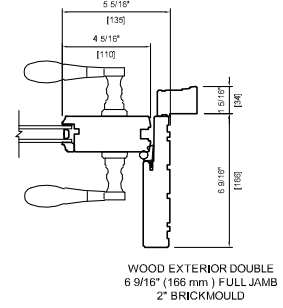
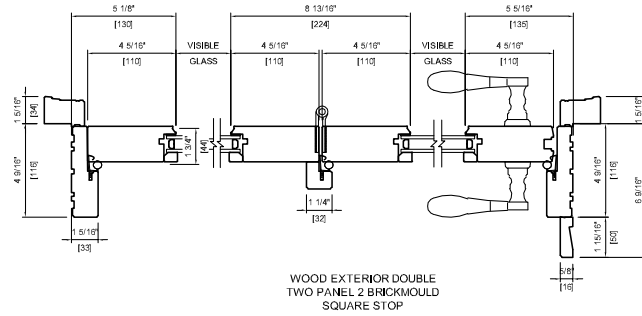
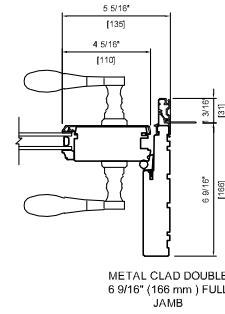
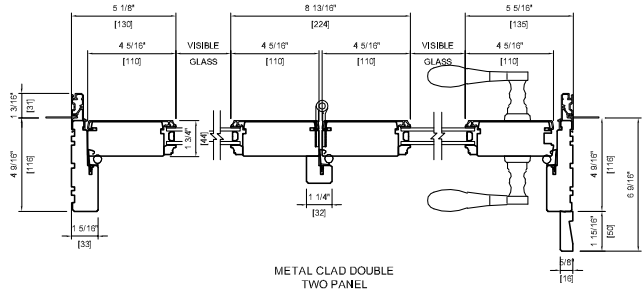
## Casing



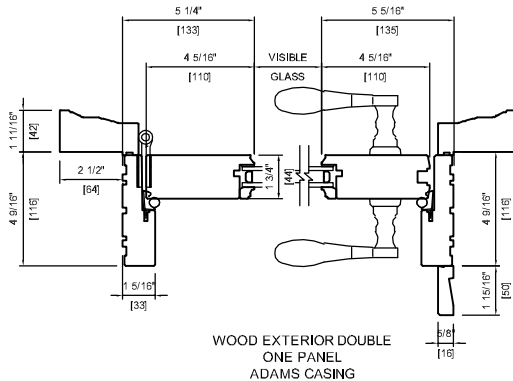
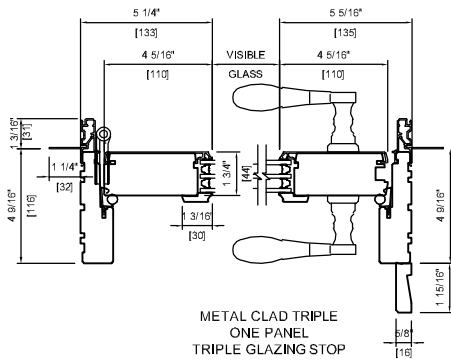
Note: • Other jamb widths available.  
• All dimensions to have +/- 1/16" (2mm) tolerance.

# Outswing Terrace Door Detail

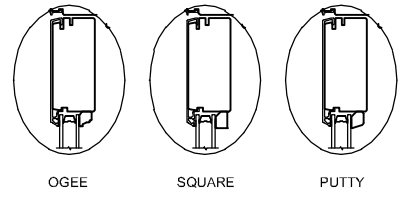
## Head & Sill Detail



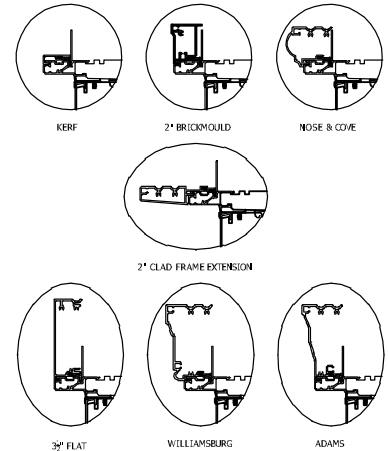
## Head & Sill Detail



## Glazing Stop Profiles



## Casing



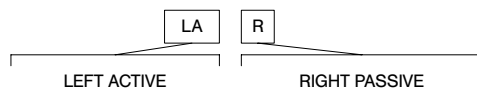
Note: • Other jamb widths available.  
• All dimensions to have +/- 1/16" (2mm) tolerance.

# French Terrace Door & Transom 2 Wide Door Sizes

					Width										
<div style="writing-mode: vertical-rl; transform: rotate(180deg);">Height</div>					<b>Rough Opening Inswing with Jamb Extension<sup>1</sup></b>					47 7/8 [1216]	61 9/16 [1564]	68 1/8 [1730]	73 3/8 [1864]	81 1/4 [2064]	88 7/16 [2246]
					<b>Rough Opening<sup>2</sup></b>					47 1/4 [1200]	60 15/16 [1548]	67 1/2 [1714]	72 3/4 [1848]	80 5/8 [2048]	87 13/16 [2230]
					<b>Frame</b>					46 1/2 [1181]	60 3/16 [1529]	66 3/4 [1695]	72 [1829]	79 7/8 [2029]	87 1/16 [2211]
					<b>Panel</b>					21 3/4 [552]	28 9/16 [726]	31 7/8 [809]	34 1/2 [876]	38 7/16 [976]	42 [1067]
					<b>Visible Glass</b>					13 1/16 [332]	19 15/16 [506]	23 3/16 [589]	25 13/16 [656]	29 3/4 [756]	33 3/8 [847]
					TRANSOM										
16 5/8 [422]	16 5/16 [415]	15 3/4 [400]	13 7/8 [352]	9 11/16 [246]	*FDT2 1204	*FDT2 1504	*FDT2 1604	*FDT2 1804	*FDT2 2004	*FDT2 2204					
24 1/2 [622]	24 3/16 [615]	23 5/8 [600]	21 3/4 [552]	17 9/16 [446]	*FDT2 1206	*FDT2 1506	*FDT2 1606	*FDT2 1806	*FDT2 2006	*FDT2 2206					
					DOORS										
80 3/8 [2042]	80 1/8 [2035]	79 1/2 [2020]	76 7/16 [1942]	63 7/8 [1623]	FD2 1220	FD2 1520	FD2 1620	FD2 1820	FD2 2020	FD2 2220					
82 3/16 [2087]	81 7/8 [2080]	81 5/16 [2065]	78 1/4 [1987]	65 11/16 [1668]	FD2 1221	FD2 1521	FD2 1621	FD2 1821	FD2 2021	FD2 2221					
86 7/8 [2206]	86 9/16 [2199]	86 [2184]	82 15/16 [2106]	70 3/8 [1787]	FD2 1270	FD2 1570	FD2 1670	FD2 1870	FD2 2070	FD2 2270					
95 3/8 [2422]	95 1/16 [2415]	94 1/2 [2400]	91 7/16 [2322]	78 7/8 [2003]	FD2 1224	FD2 1524	FD2 1624	FD2 1824	FD2 2024	FD2 2224					
98 1/4 [2496]	98 [2489]	97 3/8 [2474]	94 5/16 [2396]	81 3/4 [2077]	FD2 128	FD2 1580	FD2 1680	FD2 1880	FD2 2080	FD2 2280					
99 15/16 [2538]	99 5/8 [2531]	99 1/16 [2516]	96 [2438]	83 7/16 [2119]	FD2 1225	FD2 1525	FD2 1625	FD2 1825	FD2 2025	FD2 2225					
107 3/16 [2722]	106 7/8 [2715]	106 5/16 [2700]	103 1/4 [2622]	90 11/16 [2303]	FD2 1227	FD2 1527	FD2 1627	FD2 1827							

**Product Code**

Glass Size = Visible Glass + 15/16" (24 mm)



**Standard sizes Shown. Additional sizes may be available. Custom sizes can be ordered.**

**Note:** • SDL/Grille patterns are dependent on SDL/Grille type and window size. Please verify SDL/Grille patterns before confirming your order.

- 1 Inswing doors with jamb extensions (other than 4 9/16" (116 mm) & 6 9/16" (166 mm) full jamb).
- 2 Outswing doors (all) and inswing doors without jamb extensions (4 9/16" (116 mm) & 6 9/16" (166 mm) full jamb).

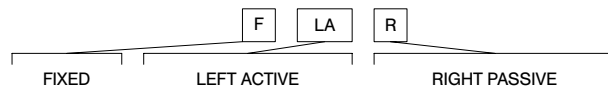


# French Terrace Door & Transom

## 3 Wide Door Sizes

					Width		
<b>Rough Opening Inswing with Jamb Extension<sup>1</sup></b> <div style="display: flex; justify-content: space-between; align-items: center;"> <div style="border: 1px solid black; padding: 5px; margin: 5px;"> <b>Rough Opening<sup>2</sup></b> </div> <div style="border: 1px solid black; padding: 5px; margin: 5px;"> <b>Frame</b> </div> <div style="border: 1px solid black; padding: 5px; margin: 5px;"> <b>Panel</b> </div> <div style="border: 1px solid black; padding: 5px; margin: 5px;"> <b>Visible Glass</b> </div> </div>					90 3/16 [2290]	100 [2539]	107 7/8 [2740]
					89 1/2 [2274]	99 5/16 [2523]	107 1/4 [2724]
					88 3/4 [2255]	98 9/16 [2504]	106 1/2 [2705]
					28 9/16 [726]	31 7/8 [809]	34 1/2 [876]
					19 15/16 [506]	23 3/16 [589]	25 13/16 [656]
					TRANSOM		
16 5/8 [422]	16 5/16 [415]	15 3/4 [400]	13 7/8 [352]	9 11/16 [246]	*FDT3 2204	*FDT3 2404	*FDT3 2704
24 1/2 [622]	24 3/16 [615]	23 5/8 [600]	21 3/4 [552]	17 9/16 [446]	*FDT3 2206	*FDT3 2406	*FDT3 2706
					DOORS		
80 3/8 [2042]	80 1/8 [2035]	79 1/2 [2020]	76 7/16 [1942]	63 7/8 [1623]	FD3 2220	FD3 2420	FD3 2720
82 3/16 [2087]	81 7/8 [2080]	81 5/16 [2065]	78 1/4 [1987]	65 11/16 [1668]	FD3 2221	FD3 2421	FD3 1821
86 7/8 [2206]	86 9/16 [2199]	86 [2184]	82 15/16 [2106]	70 3/8 [1787]	FD3 2270	FD3 2470	FD3 2770
95 3/8 [2422]	95 1/16 [2415]	94 1/2 [2400]	91 7/16 [2322]	78 7/8 [2003]	FD3 2224	FD3 2424	FD3 2724
98 1/4 [2496]	98 [2489]	97 3/8 [2474]	94 5/16 [2396]	81 3/4 [2077]	FD3 2280	FD3 2480	FD3 2780
99 15/16 [2538]	99 5/8 [2531]	99 1/16 [2516]	96 [2438]	83 7/16 [2119]	FD3 2225	FD3 2425	FD3 2725
107 3/16 [2722]	106 7/8 [2715]	106 5/16 [2700]	103 1/4 [2622]	90 11/16 [2303]	FD3 2227	FD3 2427	FD3 2727
					Product Code		

Glass Size = Visible Glass + 15/16" (24 mm)



**Standard sizes Shown. Additional sizes may be available. Custom sizes can be ordered.**

**Note:** • SDL/Grille patterns are dependent on SDL/Grille type and window size. Please verify SDL/Grille patterns before confirming your order.

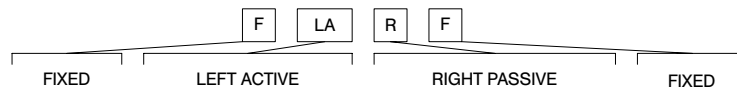
- 1 Inswing doors with jamb extensions (other than 4 9/16" (116 mm) & 6 9/16" (166 mm) full jamb).
- 2 Outswing doors (all) and inswing doors without jamb extensions (4 9/16" (116 mm) & 6 9/16" (166 mm) full jamb).

# French Terrace Door & Transom

## 4 Wide Door Sizes

					Width					
<b>Rough Opening Inswing with Jamb Extension<sup>1</sup></b> <div style="margin-left: 20px;"><b>Rough Opening<sup>2</sup></b></div> <div style="margin-left: 40px;"><b>Frame</b></div> <div style="margin-left: 60px;"><b>Panel</b></div> <div style="margin-left: 80px;"><b>Visible Glass</b></div>					91 5/16 [2320]	118 3/4 [3016]	131 13/16 [3348]	142 3/8 [3616]	158 1/8 [4016]	172 7/16 [4380]
					90 11/16 [2304]	118 1/8 [3000]	131 3/16 [3332]	141 3/4 [3600]	157 1/2 [4000]	171 13/16 [4364]
					89 15/16 [2285]	117 3/8 [2981]	130 7/16 [3313]	141 [3581]	156 3/4 [3981]	171 1/16 [4345]
					21 3/4 [552]	28 9/16 [726]	31 7/8 [809]	34 1/2 [876]	38 7/16 [976]	42 [1067]
					TRANSOM					
16 5/8 [422]	16 5/16 [415]	15 3/4 [400]	13 7/8 [352]	9 11/16 [246]	*FDT4 2304	*FDT4 3004	*FDT4 3304	*FDT4 3604	*FDT4 4004	*FDT4 4304
24 1/2 [622]	24 3/16 [615]	23 5/8 [600]	21 3/4 [552]	17 9/16 [446]	*FDT4 2306	*FDT4 3006	*FDT4 3306	*FDT4 3606	*FDT4 4006	*FDT4 4306
					DOORS					
80 3/8 [2042]	80 1/8 [2035]	79 1/2 [2020]	76 7/16 [1942]	63 7/8 [1623]	FD4 2320	FD4 3020	FD4 3320	FD4 3620	FD4 4020	FD4 4320
82 3/16 [2087]	81 7/8 [2080]	81 5/16 [2065]	78 1/4 [1987]	65 11/16 [1668]	FD4 2321	FD4 3021	FD4 3321	FD4 3621	FD4 4021	FD4 4321
86 7/8 [2206]	86 9/16 [2199]	86 [2184]	82 15/16 [2106]	70 3/8 [1787]	FD4 2370	FD4 3070	FD4 3370	FD4 3670	FD4 4070	FD4 4370
95 3/8 [2422]	95 1/16 [2415]	94 1/2 [2400]	91 7/16 [2322]	78 7/8 [2003]	FD4 2324	FD4 3024	FD4 3324	FD4 3624	FD4 4024	FD4 4324
98 1/4 [2496]	98 [2489]	97 3/8 [2474]	94 5/16 [2396]	81 3/4 [2077]	FD4 2380	FD4 3080	FD4 3380	FD4 3680	FD4 4080	FD4 4380
99 15/16 [2538]	99 5/8 [2531]	99 1/16 [2516]	96 [2438]	83 7/16 [2119]	FD4 2325	FD4 3025	FD4 3325	FD4 3625	FD4 4025	FD4 4325
107 3/16 [2722]	106 7/8 [2715]	106 5/16 [2700]	103 1/4 [2622]	90 11/16 [2303]	FD4 2327	FD4 30027	FD4 3327	FD4 3627		
					<b>Product Code</b>					


Glass Size = Visible Glass + 15/16" (24 mm)



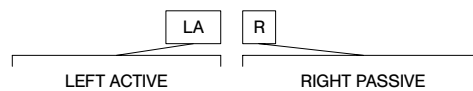
**Standard sizes Shown. Additional sizes may be available. Custom sizes can be ordered.**

- Note:**
- SDL/Grille patterns are dependent on SDL/Grille type and window size. Please verify SDL/Grille patterns before confirming your order.
  - Transom units.
    - <sup>1</sup> Inswing doors with jamb extensions (other than 4 9/16" (116 mm) & 6 9/16" (166 mm) full jamb).
    - <sup>2</sup> Outswing doors (all) and inswing doors without jamb extensions (4 9/16" (116 mm) & 6 9/16" (166 mm) full jamb).

# Cambertop French Terrace Door 2 Wide Sizes

					Width						
Height	Rough Opening Inswing with Jamb Extension <sup>1</sup>					47 7/8 [1216]	61 9/16 [1564]	68 1/8 [1730]	73 3/8 [1864]	81 1/4 [2064]	88 7/16 [2246]
	Rough Opening <sup>2</sup>					47 1/4 [1200]	60 15/16 [1548]	67 1/2 [1714]	72 3/4 [1848]	80 5/8 [2048]	87 13/16 [2230]
	Frame					46 1/2 [1181]	60 3/16 [1529]	66 3/4 [1695]	72 [1829]	79 7/8 [2029]	87 1/16 [2211]
	Panel					21 3/4 [552]	28 9/16 [726]	31 7/8 [809]	34 1/2 [876]	38 7/16 [976]	42 [1067]
	Visible Glass					13 1/16 [332]	19 15/16 [506]	23 3/16 [589]	25 13/16 [656]	29 3/4 [756]	33 3/8 [847]
					FD2 1220	FD2 1520	FD2 1620	FD2 1820	FD2 2020	FD2 2220	
					FD2 1221	FD2 1521	FD2 1621	FD2 1821	FD2 2021	FD2 2221	
					FD2 1270	FD2 1570	FD2 1670	FD2 1870	FD2 2070	FD2 2270	
					FD2 1224	FD2 1524	FD2 1624	FD2 1824	FD2 2024	FD2 2224	
					FD2 1280	FD2 1580	FD2 1680	FD2 1880	FD2 2080	FD2 2280	
					FD2 1225	FD2 1525	FD2 1625	FD2 1825			
					FD2 1227	FD2 1527	FD2 1627	FD2 1827			
					Product Code						

Glass Size = Visible Glass + 15/16" (24 mm)



**Standard sizes Shown. Additional sizes may be available. Custom sizes can be ordered.**

- Note:**
- SDL/Grille patterns are dependent on SDL/Grille type and window size. Please verify SDL/Grille patterns before confirming your order.
  - 96 7/16" (2450 mm) radius.
    - 1 Inswing doors with jamb extensions (other than 4 9/16" (116 mm) & 6 9/16" (166 mm) full jamb).
    - 2 Outswing doors (all) and inswing doors without jamb extensions (4 9/16" (116 mm) & 6 9/16" (166 mm) full jamb).

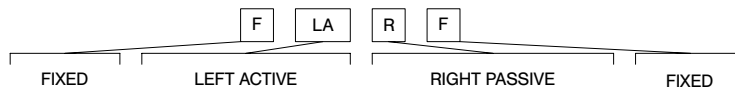
# Cambertop French Terrace Door

## 4 Wide Sizes

					Width										
Rough Opening Inswing with Jamb Extension <sup>1</sup>															
					Rough Opening <sup>2</sup>										
					Frame										
					Panel										
					Visible Glass										
					91 5/16 [2320]	118 3/4 [3016]	131 13/16 [3348]	142 3/8 [3616]	158 1/8 [4016]	172 7/16 [4380]					
					90 11/16 [2304]	118 1/8 [3000]	131 3/16 [3332]	141 3/4 [3600]	157 1/2 [4000]	171 13/16 [4364]					
					89 15/16 [2285]	117 3/8 [2981]	130 7/16 [3313]	141 [3581]	156 3/4 [3981]	171 1/16 [4345]					
					21 3/4 [552]	28 9/16 [726]	31 7/8 [809]	34 1/2 [876]	38 7/16 [976]	42 [1067]					
					13 1/16 [332]	19 15/16 [506]	23 3/16 [589]	25 13/16 [656]	29 3/4 [756]	33 3/8 [847]					
Height	80 3/8 [2042]	80 1/8 [2035]	79 1/2 [2020]	76 7/16 [1942]	63 7/8 [1623]	FD4 2320	FD4 3020	FD4 3320	FD4 3620	FD4 4020	FD4 4320				
	82 3/16 [2087]	81 7/8 [2080]	81 5/16 [2065]	78 1/4 [1987]	65 11/16 [1668]	FD4 2321	FD4 3021	FD4 3321	FD4 3621	FD4 4021	FD4 4321				
	86 7/8 [2206]	86 9/16 [2199]	86 [2184]	82 15/16 [2106]	70 3/8 [1787]	FD4 2370	FD4 3070	FD4 3370	FD4 3670	FD4 4070	FD4 4370				
	95 3/8 [2422]	95 1/16 [2415]	94 1/2 [2400]	91 7/16 [2322]	78 7/8 [2003]	FD4 2324	FD4 3024	FD4 3324	FD4 3624	FD4 4024	FD4 4324				
	98 1/4 [2496]	98 [2489]	97 3/8 [2474]	94 5/16 [2396]	81 3/4 [2077]	FD4 2380	FD4 3080	FD4 3380	FD4 3680	FD4 4080	FD4 4380				
	99 15/16 [2538]	99 5/8 [2531]	99 1/16 [2516]	96 [2438]	83 7/16 [2119]	FD4 2325	FD4 3025	FD4 3325	FD4 3625						
	107 3/16 [2722]	106 7/8 [2715]	106 5/16 [2700]	103 1/4 [2622]	90 11/16 [2303]	FD4 2327	FD4 3027	FD4 3327	FD4 3627						

**Product Code**

Glass Size = Visible Glass + 15/16" (24 mm)

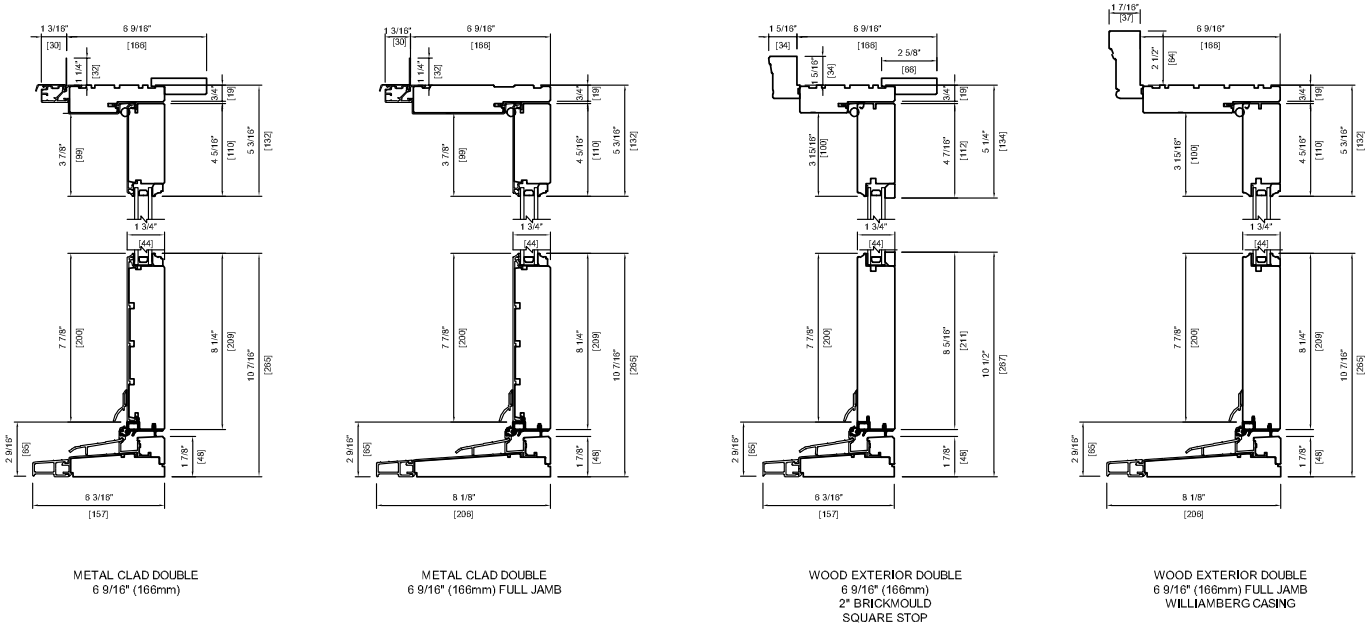


**Standard sizes Shown. Additional sizes may be available. Custom sizes can be ordered.**

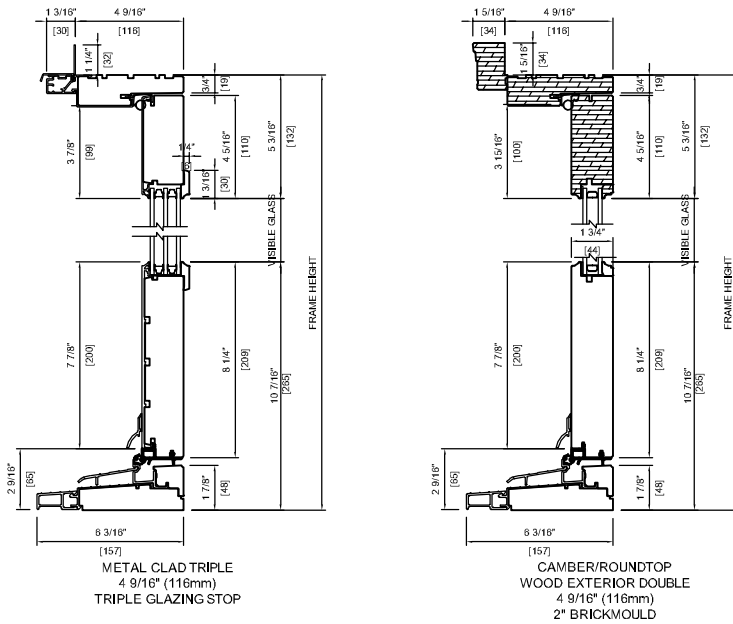
- Note:**
- SDL/Grille patterns are dependent on SDL/Grille type and window size. Please verify SDL/Grille patterns before confirming your order.
  - 200 13/16" (5100 mm) radius.
    - 1 Inswing doors with jamb extensions (other than 4 9/16" (116 mm) & 6 9/16" (166 mm) full jamb).
    - 2 Outswing doors (all) and inswing doors without jamb extensions (4 9/16" (116 mm) & 6 9/16" (166 mm) full jamb).

# Inswing French Terrace Door Detail

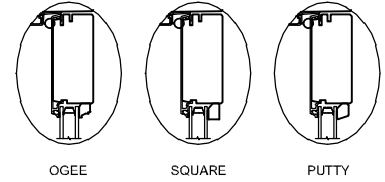
## Head & Sill Detail



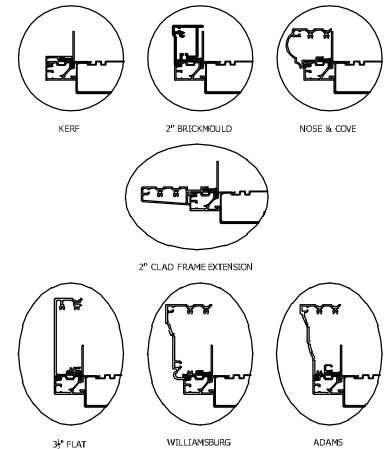
## Head & Sill Detail



## Glazing Stop Profiles



## Casing

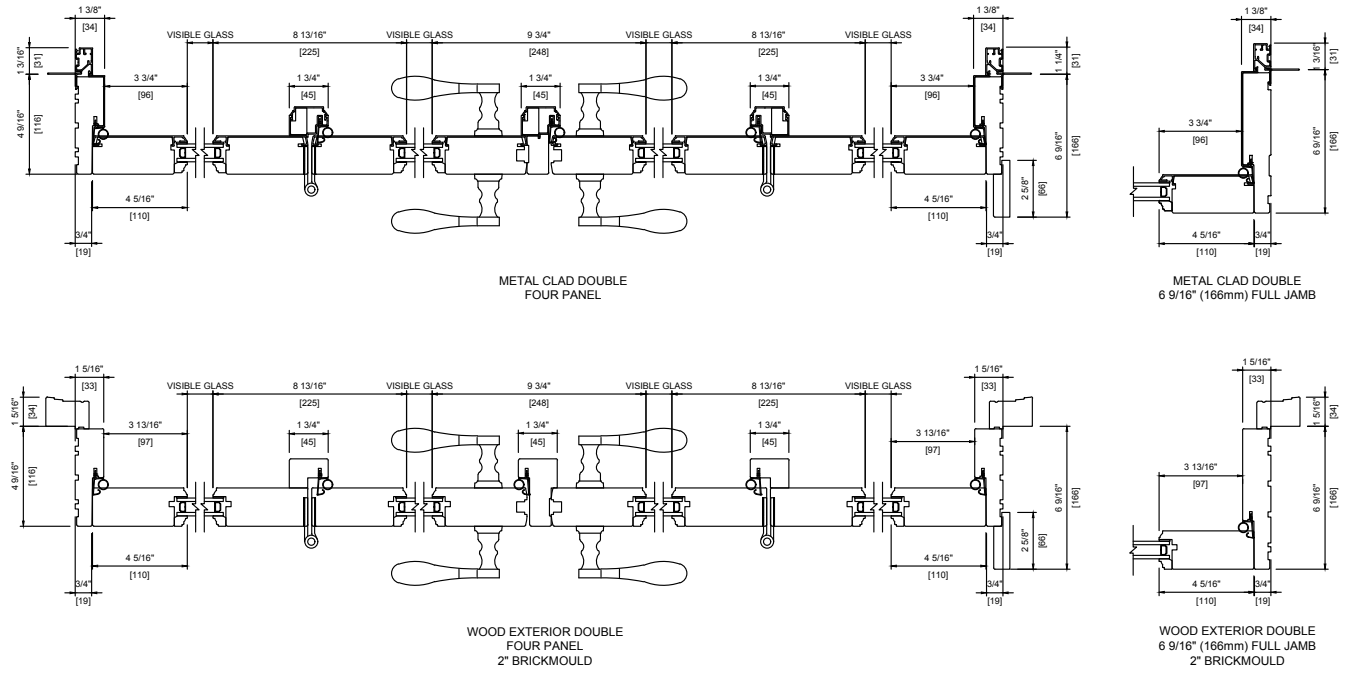


**Note:**

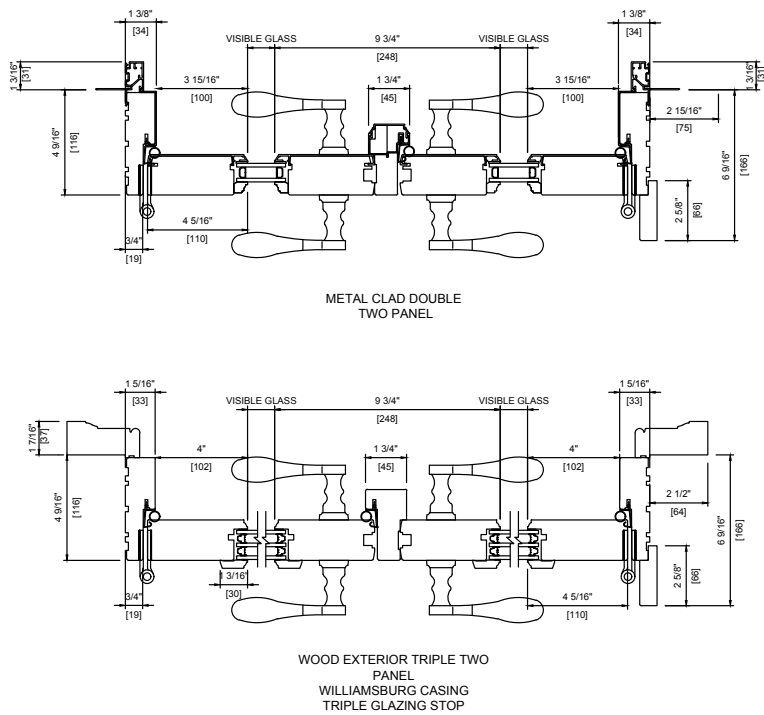
- Other jamb widths available.
- All dimensions to have +/- 1/16" (2mm) tolerance.

# Inswing French Terrace Door Detail

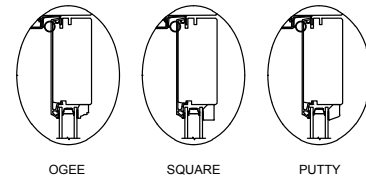
## Plan View



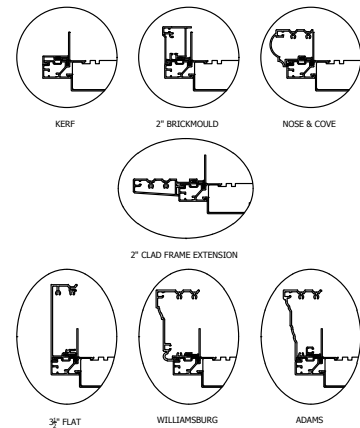
## Plan View



## Glazing Stop Profiles



## Casing

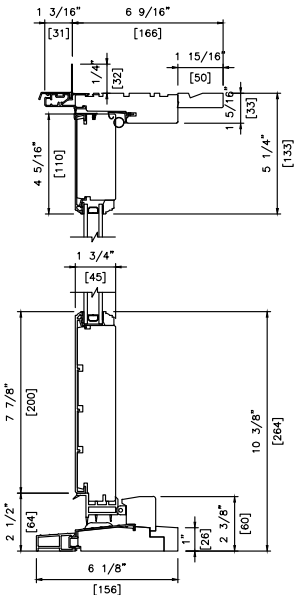


**Note:**

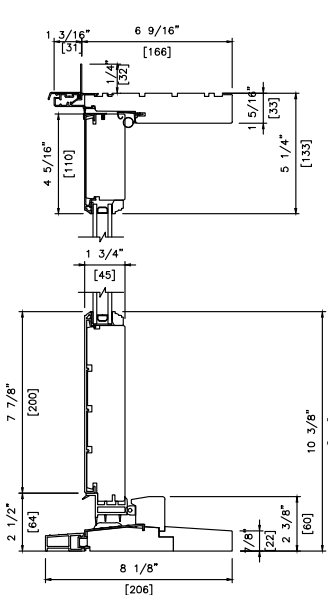
- Other jamb widths available.
- All dimensions to have +/- 1/16" (2mm) tolerance.

# Outswing French Terrace Door Detail

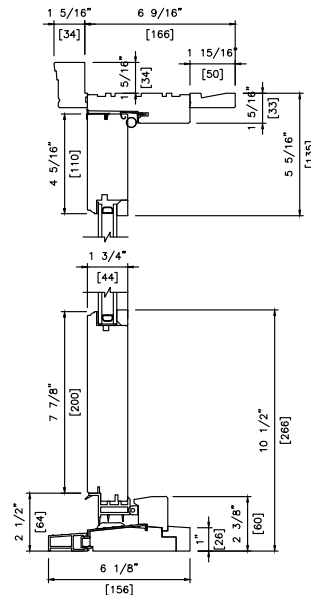
## Head & Sill Detail



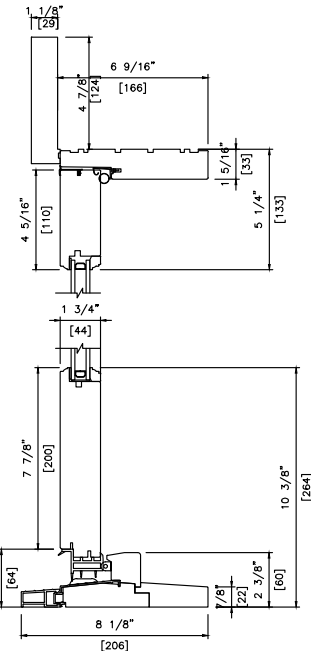
METAL CLAD DOUBLE  
6 9/16" (166mm)



METAL CLAD DOUBLE  
6 9/16" (166mm) FULL JAMB

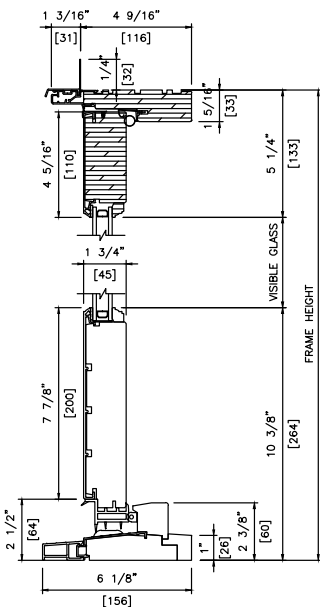


WOOD EXTERIOR DOUBLE  
6 9/16" (166mm) 2" BRICKMOULD  
SQUARE STOP

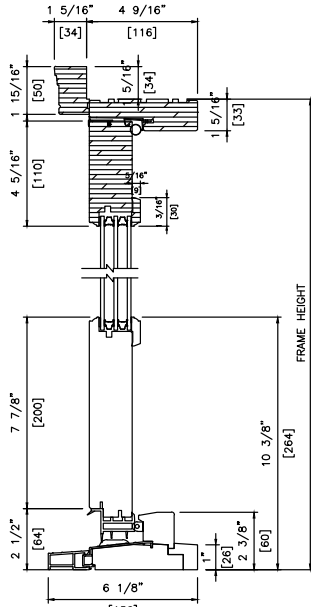


WOOD EXTERIOR DOUBLE  
6 9/16" (166mm) FULL JAMB  
5 1/2" FLAT CASING

## Head & Sill Detail

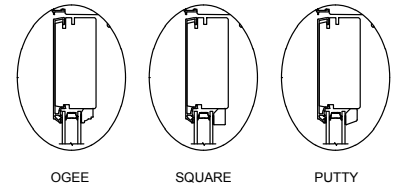


METAL CLAD DOUBLE  
CAMBERTOP  
4 9/16" (116mm)

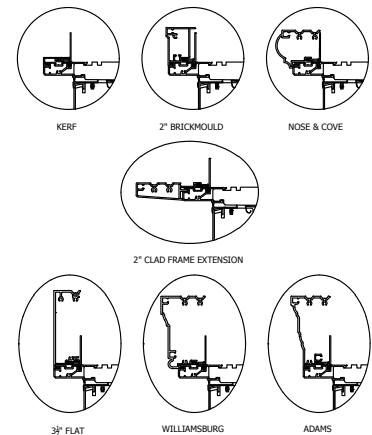


WOOD EXTERIOR TRIPLE  
CAMBERTOP 2" BRICKMOULD  
TRIPLE GLAZING STOP

## Glazing Stop Profiles



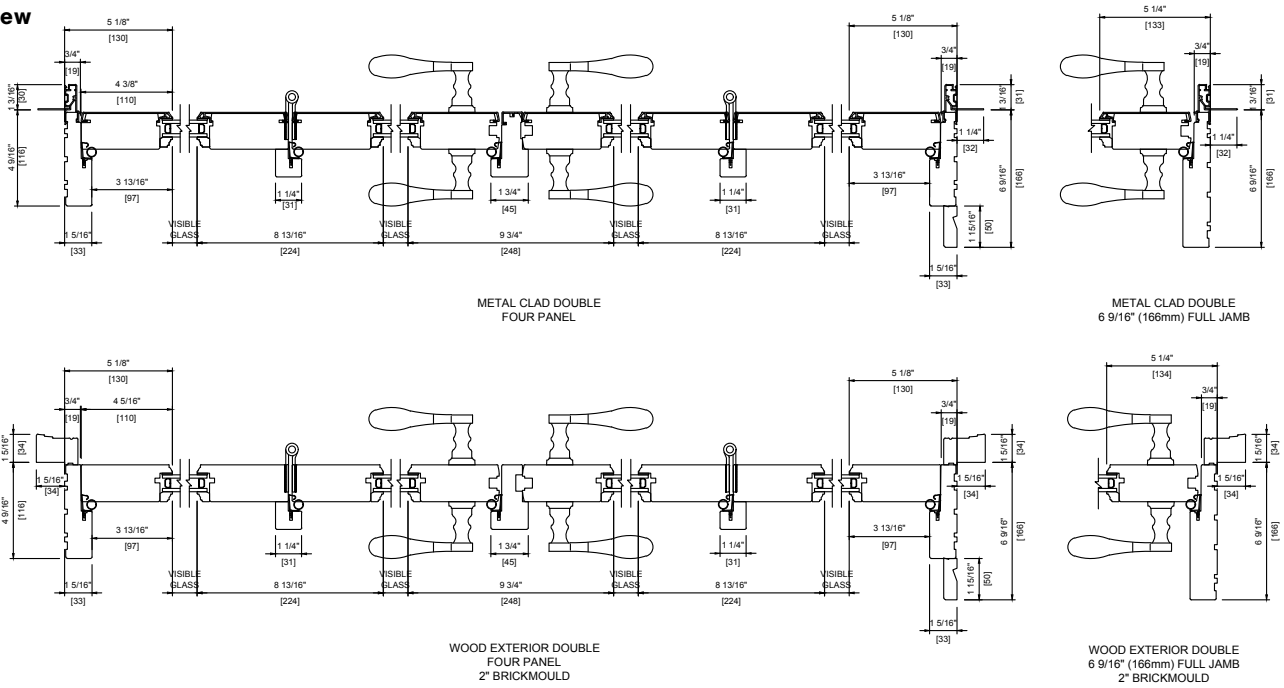
## Casing



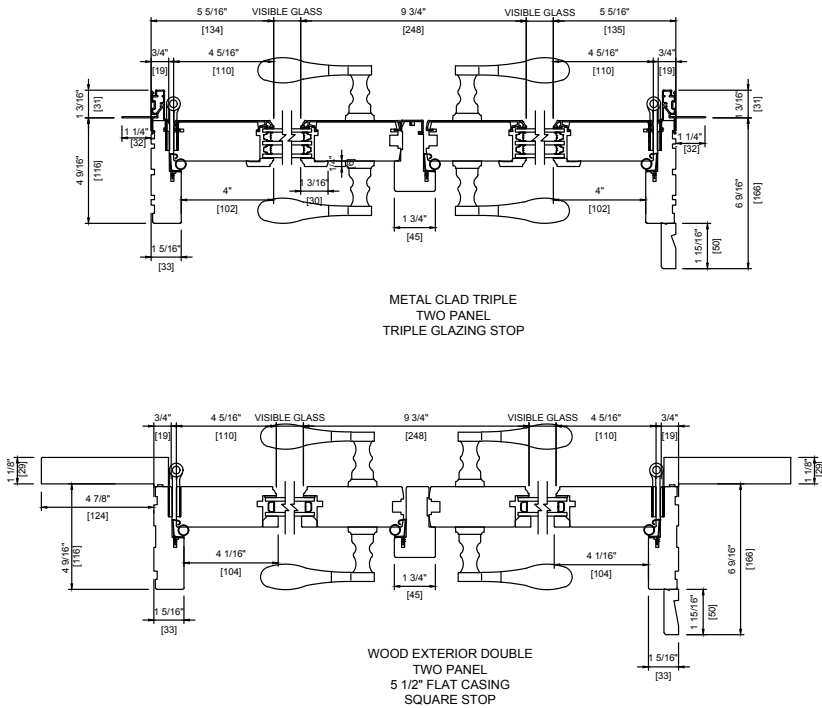
Note: • Other jamb widths available.  
• All dimensions to have +/- 1/16" (2mm) tolerance.

# Outswing French Terrace Door Detail

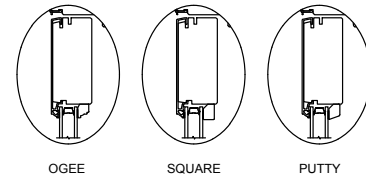
## Plan View



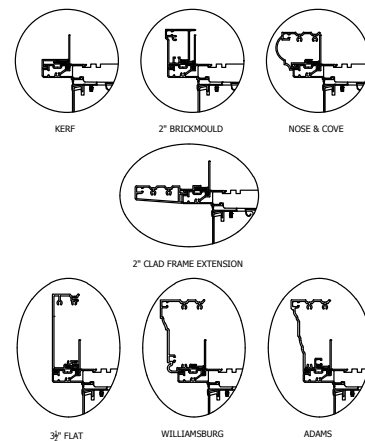
## Plan View



## Glazing Stop Profiles



## Casing



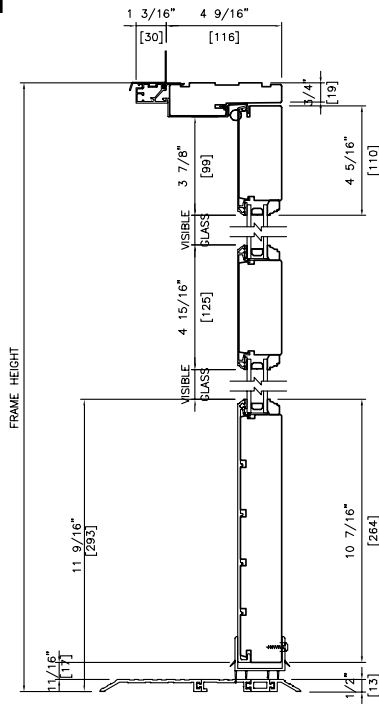
SEE PAGE A22 FOR DIMENSIONS.

Note: • Other jamb widths available.  
• All dimensions to have +/- 1/16" (2mm) tolerance.

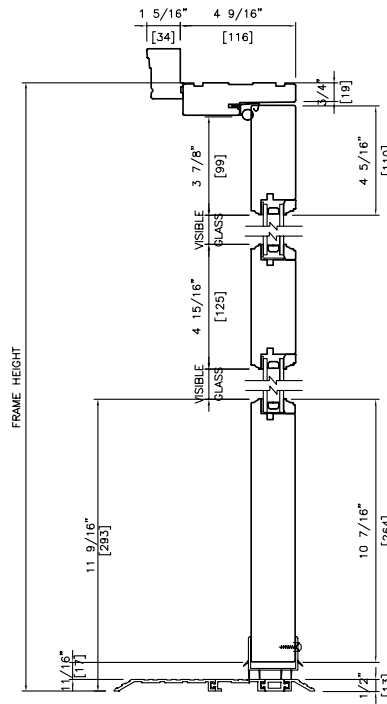


# Terrace/French Terrace Door Low Profile & Midrail Detail, Wide Bottom Rail

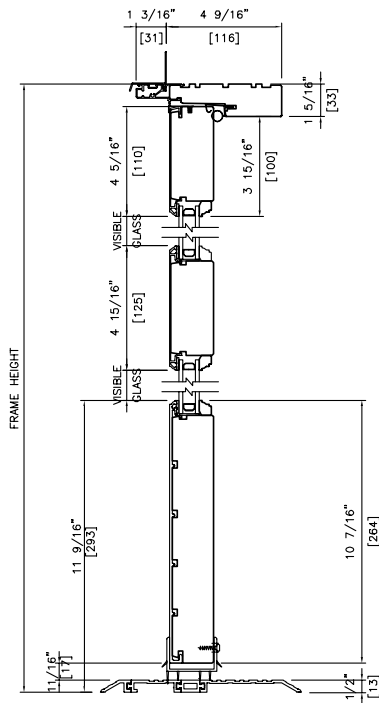
## Head & Sill Detail



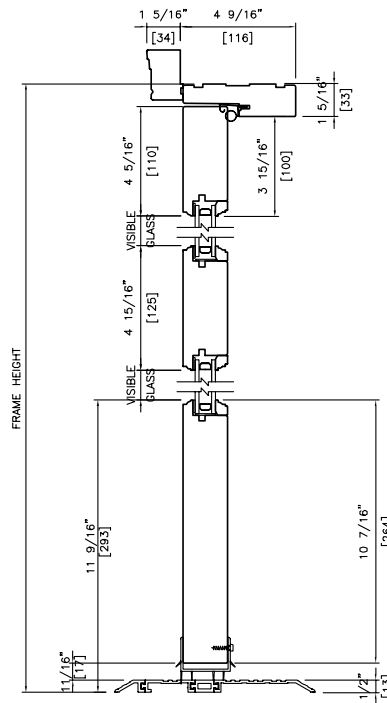
METAL CLAD DOUBLE  
INSWING



WOOD EXTERIOR DOUBLE  
INSWING



METAL CLAD DOUBLE  
OUTSWING



WOOD EXTERIOR DOUBLE  
OUTSWING

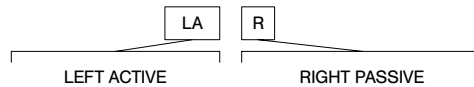
**Note:**

- Other jamb widths available.
- All dimensions to have +/- 1/16" (2mm) tolerance.

# 10' Terrace/French Terrace Door 1 & 2 Wide Sizes

		Width											
		Rough Opening Inswing with Jamb Extension <sup>1</sup>		39 1/4 [997]	43 1/4 [1099]	45 1/4 [1150]	75 1/4 [1911]	83 1/4 [2115]	87 5/16 [2217]	76 3/8 [1940]	84 7/16 [2144]	88 7/16 [2246]	
		Rough Opening <sup>2</sup>		38 5/8 [981]	42 5/8 [1083]	44 5/8 [1134]	74 5/8 [1895]	82 5/8 [2099]	86 5/8 [2201]	75 3/4 [1924]	83 3/4 [2128]	87 13/16 [2230]	
		Frame		37 7/8 [962]	41 7/8 [1064]	43 7/8 [1115]	73 7/8 [1876]	81 7/8 [2080]	85 7/8 [2182]	75 [1905]	83 1/16 [2109]	87 1/16 [2211]	
		Panel		34 1/2 [876]	38 7/16 [976]	42 [1067]	34 1/2 [876]	38 7/16 [976]	42 [1067]	34 1/2 [876]	38 7/16 [976]	42 [1067]	
		Visible Glass		24 1/4 [616]	28 1/4 [718]	30 1/4 [769]	24 1/4 [616]	28 1/4 [718]	30 1/4 [769]	24 1/4 [616]	28 1/4 [718]	30 1/4 [769]	
Height	124 5/16 [3157]	124 [3150]	123 7/16 [3135]	120 3/8 [3057]	106 1/4 [2699]	TD1 0932	TD1 1032	TD1 1132					
	124 5/16 [3157]	124 [3150]	123 7/16 [3135]	120 3/8 [3057]	106 1/4 [2699]				TD2 1832	TD2 2032	TD2 2232		
	124 5/16 [3157]	124 [3150]	123 7/16 [3135]	120 3/8 [3057]	106 1/4 [2699]							FD2 1832	FD2 2032
<b>Product Code</b>													

Glass Size = Visible Glass + 15/16" (24 mm)



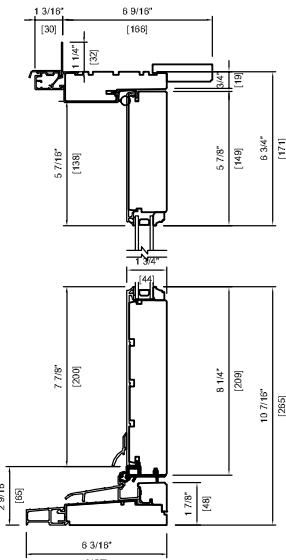
**Standard sizes Shown. Additional sizes may be available. Custom sizes can be ordered.**

Note: • SDL/Grille patterns are dependent on SDL/Grille type and window size. Please verify SDL/Grille patterns before confirming your order.

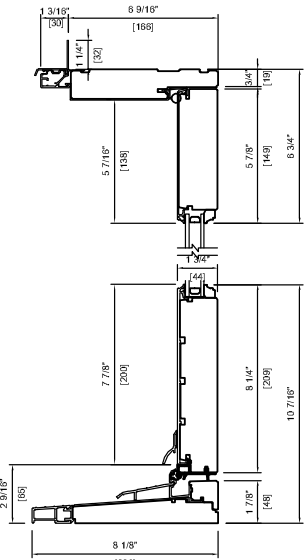
- 1 Inswing doors with jamb extensions (other than 4 9/16" (116 mm) & 6 9/16" (166 mm) full jamb).
- 2 Outswing doors (all) and inswing doors without jamb extensions (4 9/16" (116 mm) & 6 9/16" (166 mm) full jamb).

# 10' Inswing Terrace/French Terrace Door Detail

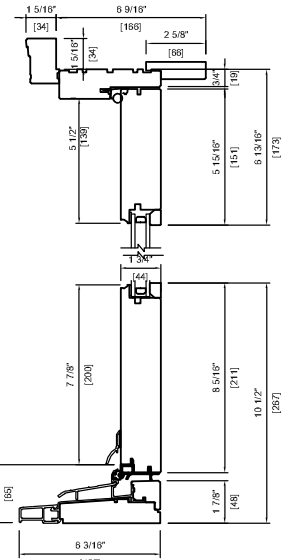
## Head & Sill Detail



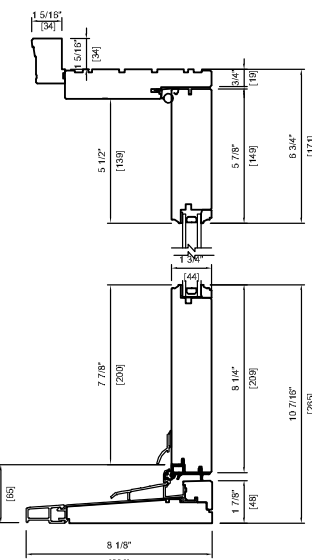
METAL CLAD DOUBLE  
6 9/16" (166mm)



METAL CLAD DOUBLE  
6 9/16" (166mm) FULL JAMB

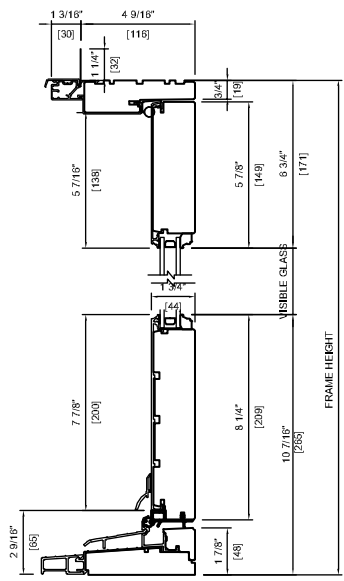


WOOD EXTERIOR DOUBLE  
6 9/16" (166mm) 2" BRICKMOULD  
SQUARE STOP

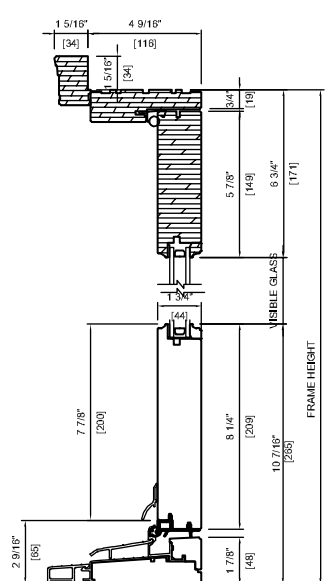


WOOD EXTERIOR DOUBLE  
6 9/16" (166mm) FULL JAMB  
2" BRICKMOULD

## Head & Sill Detail

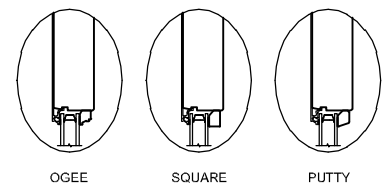


METAL CLAD DOUBLE  
4 9/16" (116mm)

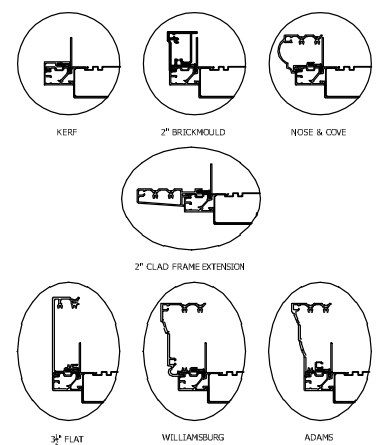


CAMBER/ROUNDTOP  
WOOD EXTERIOR DOUBLE  
4 9/16" (116mm)  
2" BRICKMOULD

## Glazing Stop Profiles



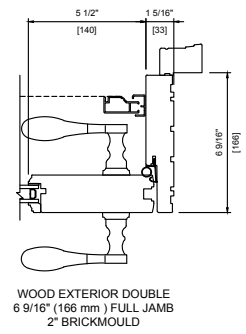
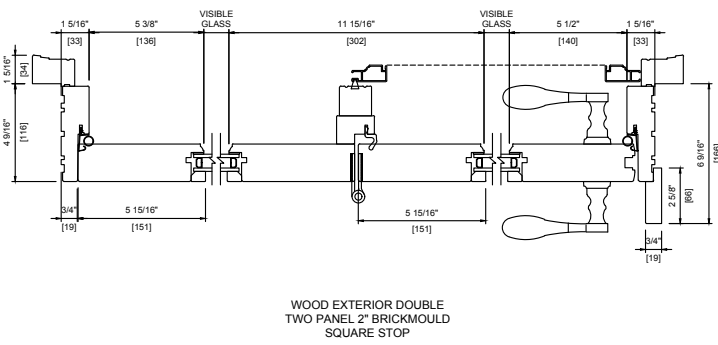
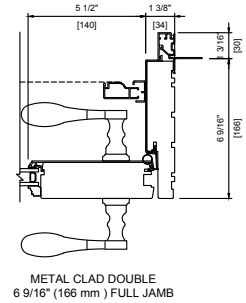
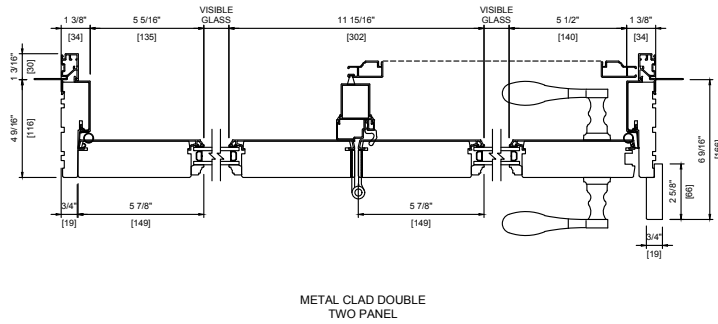
## Casing



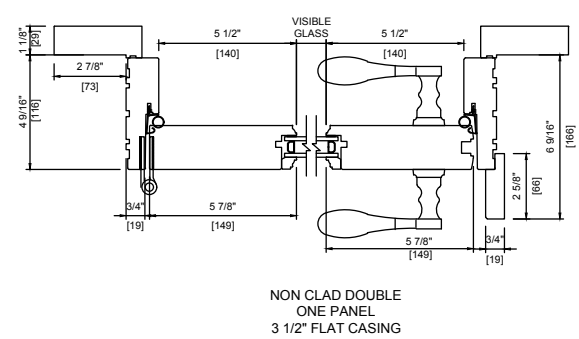
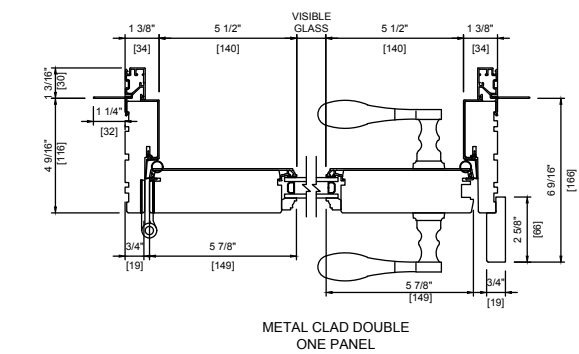
Note: • Other jamb widths available.  
• All dimensions to have +/- 1/16" (2mm) tolerance.

# 10' Inswing Terrace Door Detail

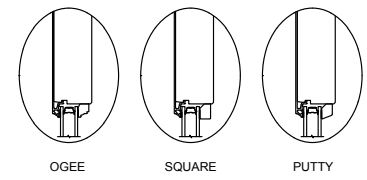
## Plan View



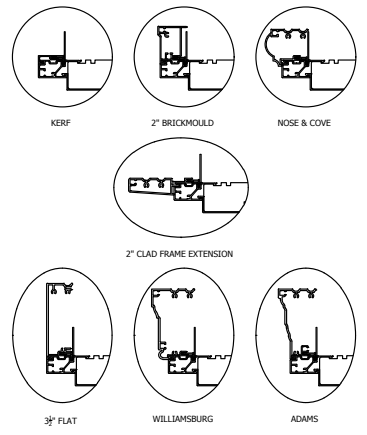
## Plan View



## Glazing Stop Profiles



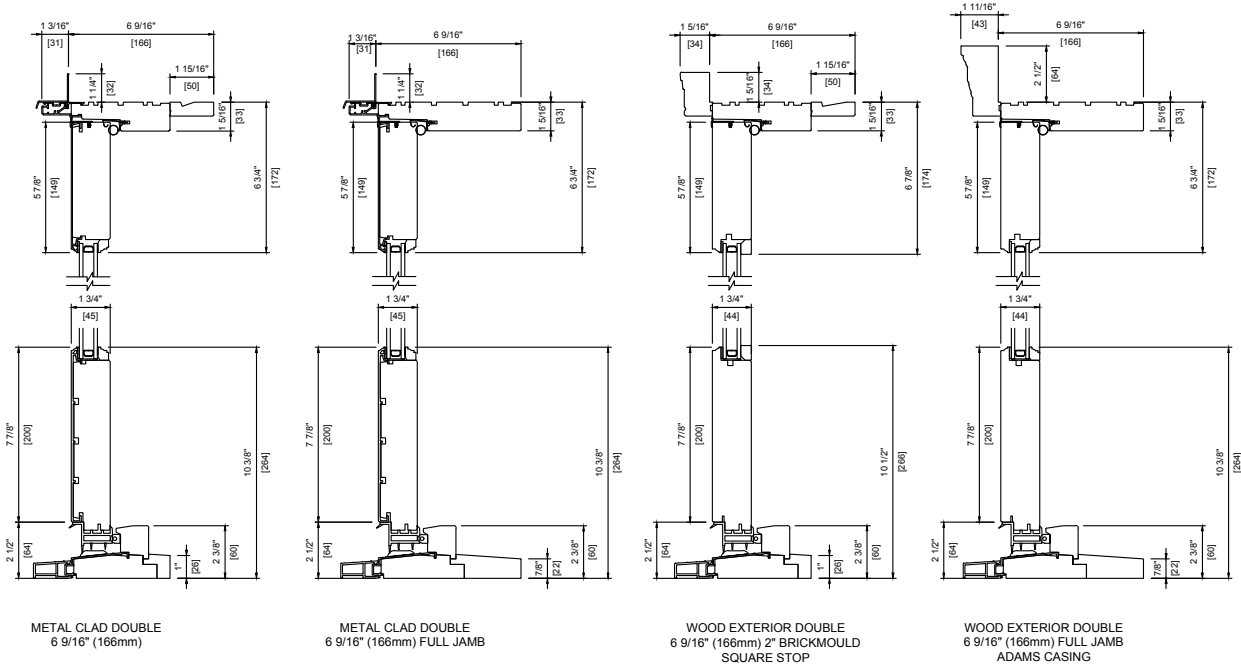
## Casing



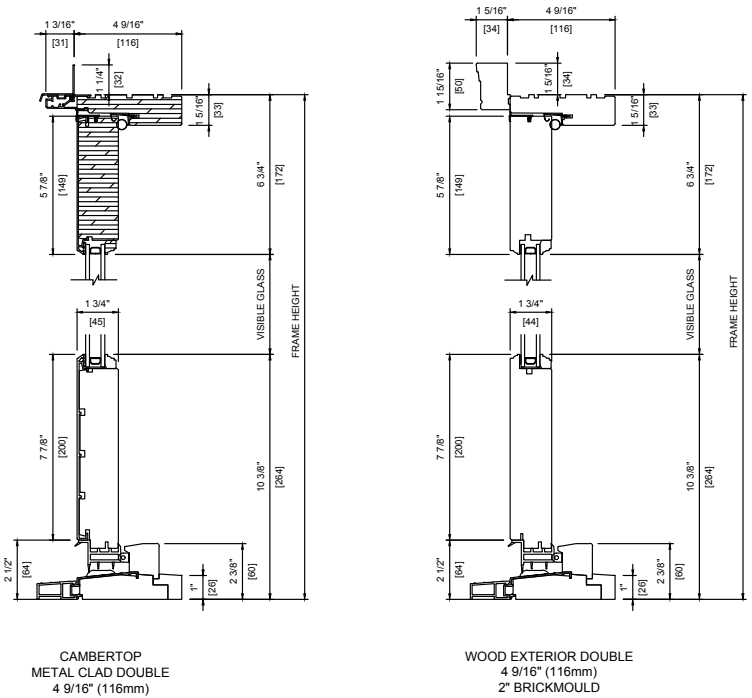
Note: • Other jamb widths available.  
• All dimensions to have +/- 1/16" (2mm) tolerance.

# 10' Outswing Terrace/French Terrace Door Detail

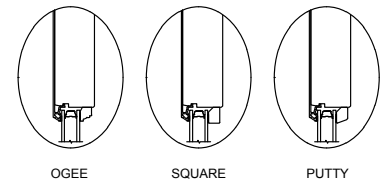
## Head & Sill Detail



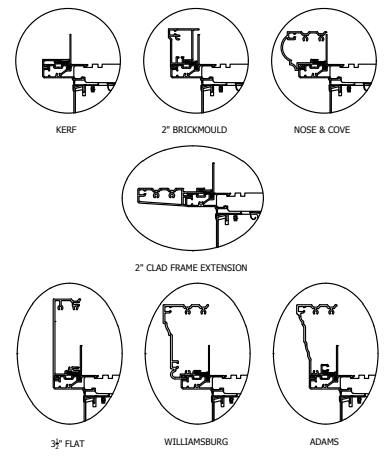
## Head & Sill Detail



## Glazing Stop Profiles



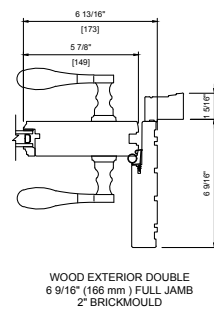
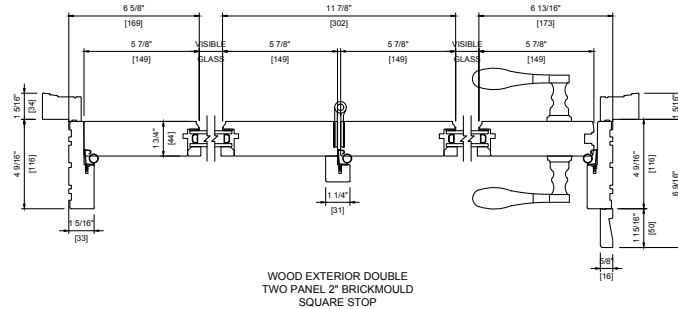
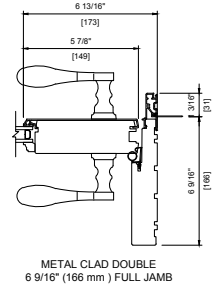
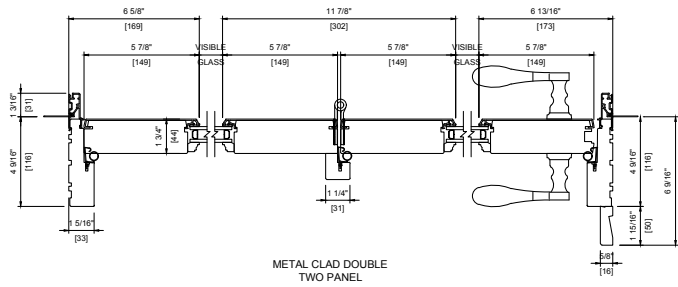
## Casing



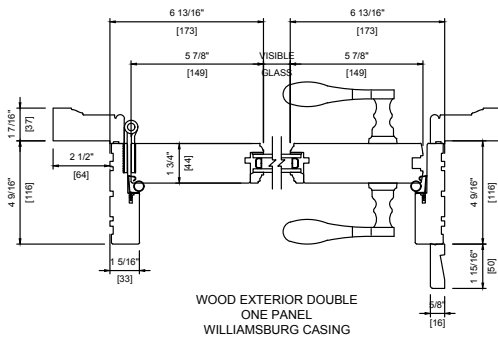
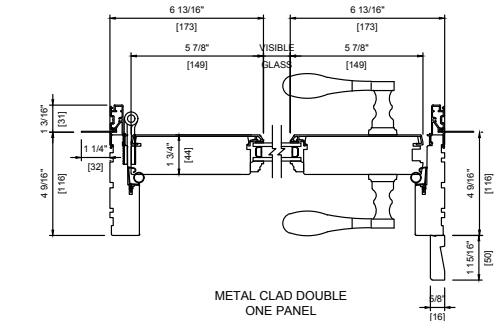
Note: • Other jamb widths available.  
• All dimensions to have +/- 1/16" (2mm) tolerance.

# 10' Outswing Terrace Door Detail

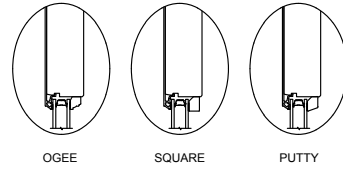
## Plan View



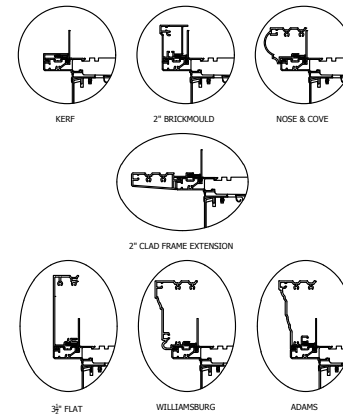
## Plan View



## Glazing Stop Profiles



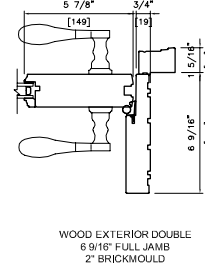
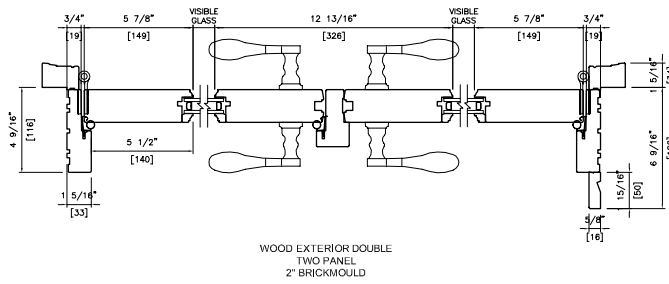
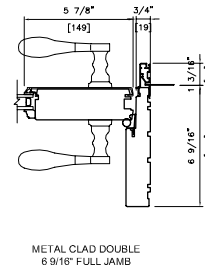
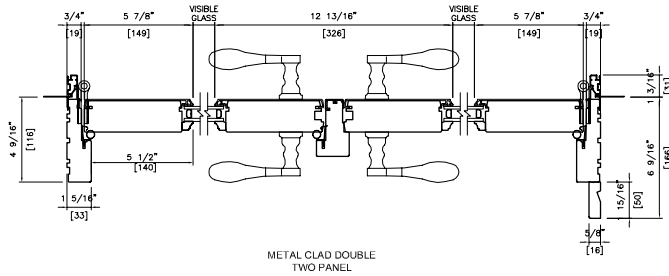
## Casing



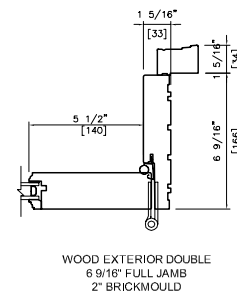
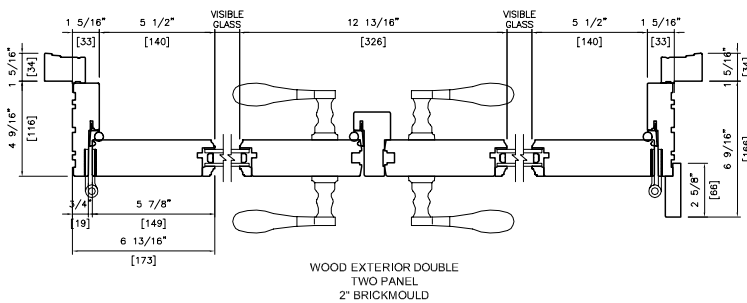
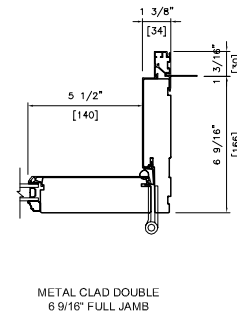
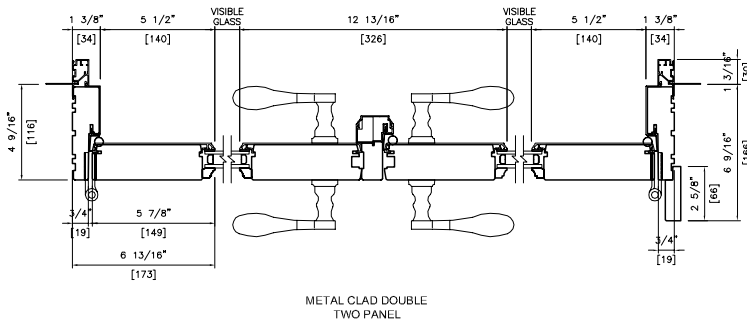
Note: • Other jamb widths available.  
• All dimensions to have +/- 1/16" (2mm) tolerance.

# 10' Outswing & Inswing Terrace/French Terrace Door Detail

## Plan View Outswing



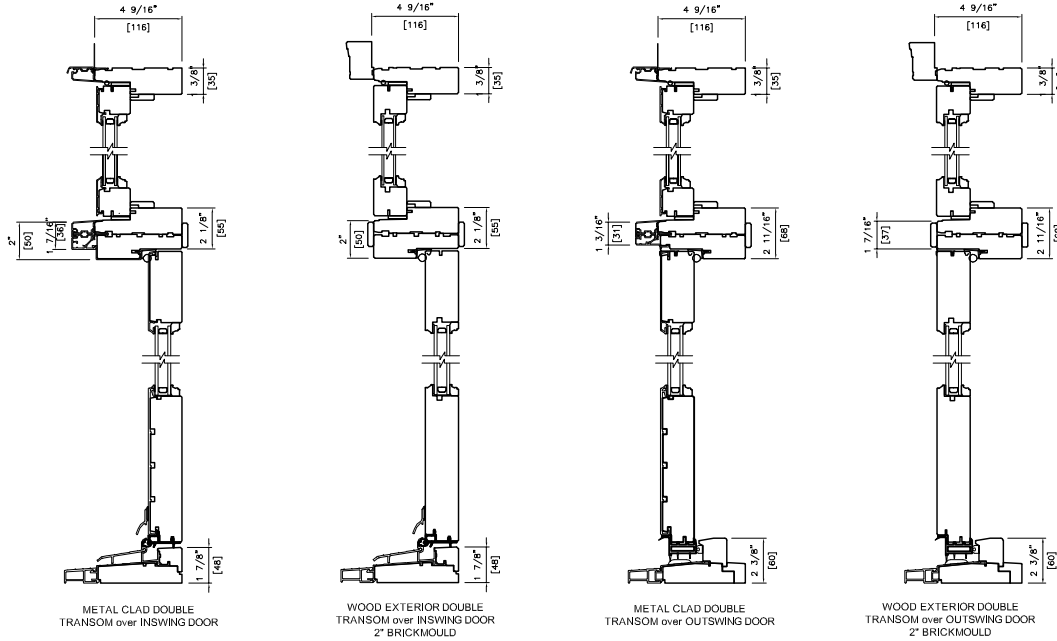
## Plan View Inswing



Note: • Other jamb widths available.  
 • All dimensions to have +/- 1/16" (2mm) tolerance.

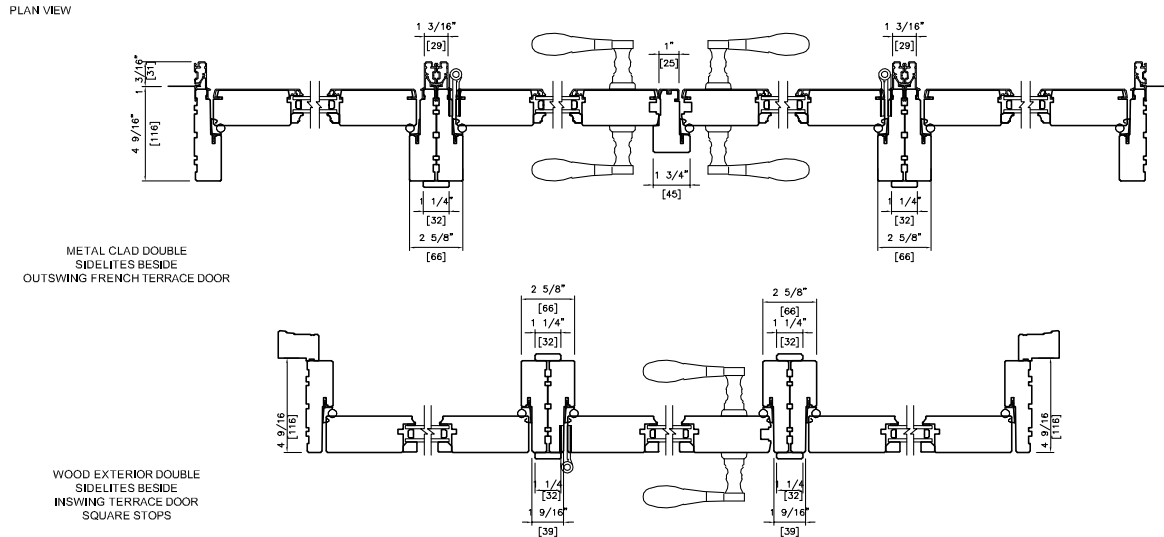
# Terrace/French Terrace Door & Transom Mull Detail

## Head & Sill Detail



# Terrace/French Terrace Door & Sidelite Mull Detail

## Plan View

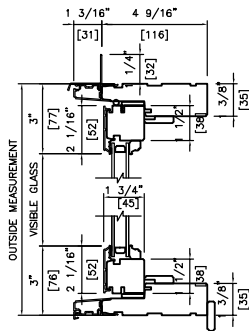


Note: • Other jamb widths available.  
• All dimensions to have +/- 1/16" (2mm) tolerance.

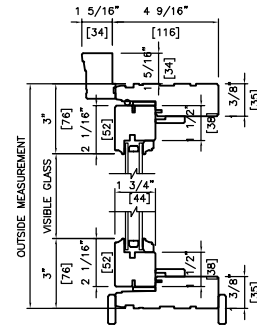


# Terrace/French Terrace Door Transom Rail Detail

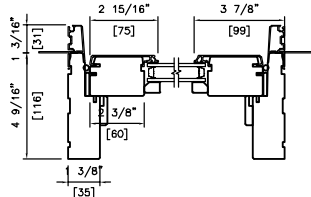
## Head & Sill Detail



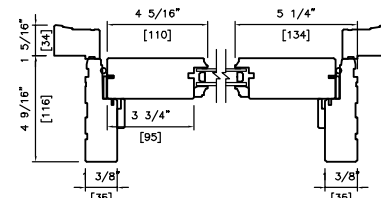
METAL CLAD DOUBLE  
2 1/16" (52mm) RAILS



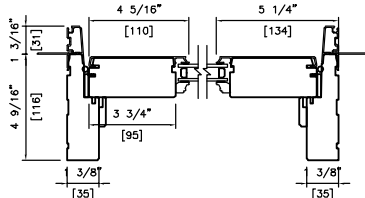
WOOD EXTERIOR DOUBLE  
2 1/16" (52mm) RAILS  
2" BRICKMOULD



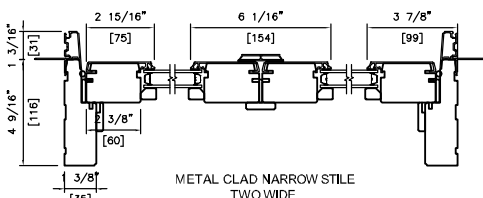
METAL CLAD NARROW STILE  
3" (75mm) STILES



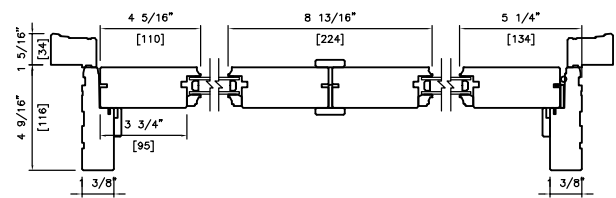
WOOD EXTERIOR STANDARD STILE  
4 5/16" (110mm) STILES



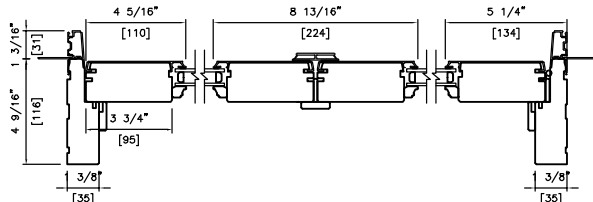
METAL CLAD STANDARD STILE  
4 5/16" (110mm) STILES



METAL CLAD NARROW STILE  
TWO WIDE  
3" (75mm) STILES



WOOD EXTERIOR STANDARD STILE  
4 5/16" (110mm) STILES  
2-PANEL

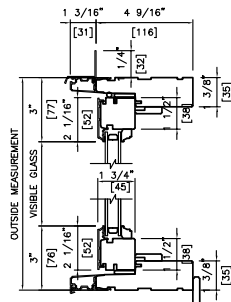


METAL CLAD STANDARD STILE  
4 5/16" (110mm) STILES  
2-PANEL

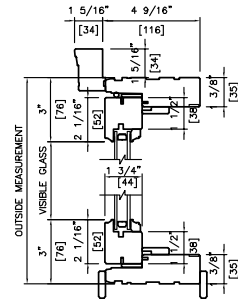
Note: • Other jamb widths available.  
• All dimensions to have +/- 1/16" (2mm) tolerance.

# Terrace/French Terrace Door & Transom Mull Detail

## Head & Sill Detail

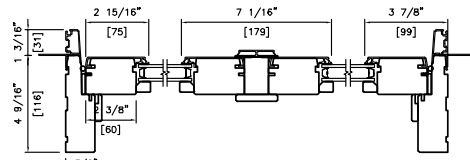


METAL CLAD DOUBLE  
2 1/16" (52mm) RAILS

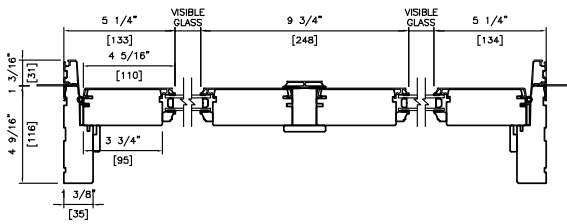


WOOD EXTERIOR DOUBLE  
2 1/16" (52mm) RAILS  
2" BRICKMOULD

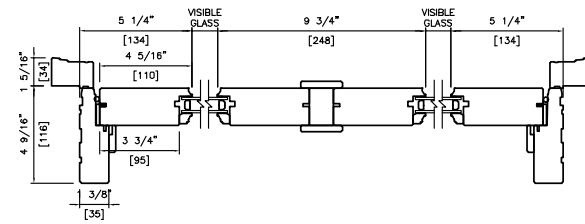
## Plan View



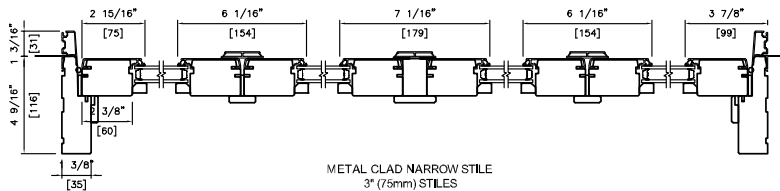
METAL CLAD NARROW STILE  
3" (75mm) STILES



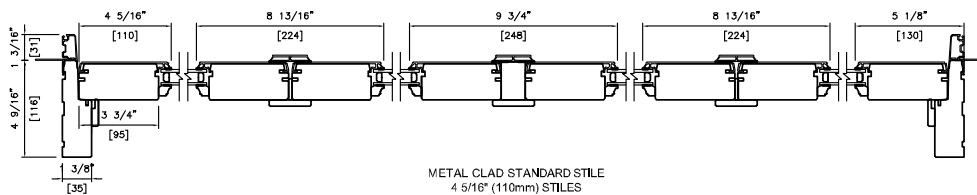
METAL CLAD STANDARD STILE  
4 5/16" (110mm) STILES



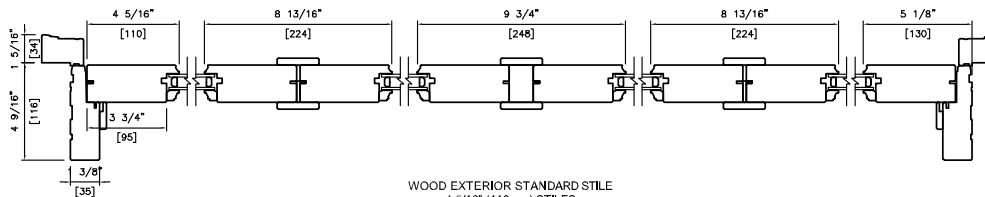
WOOD EXTERIOR STANDARD STILE  
4 5/16" (110mm) STILES



METAL CLAD NARROW STILE  
3" (75mm) STILES



METAL CLAD STANDARD STILE  
4 5/16" (110mm) STILES

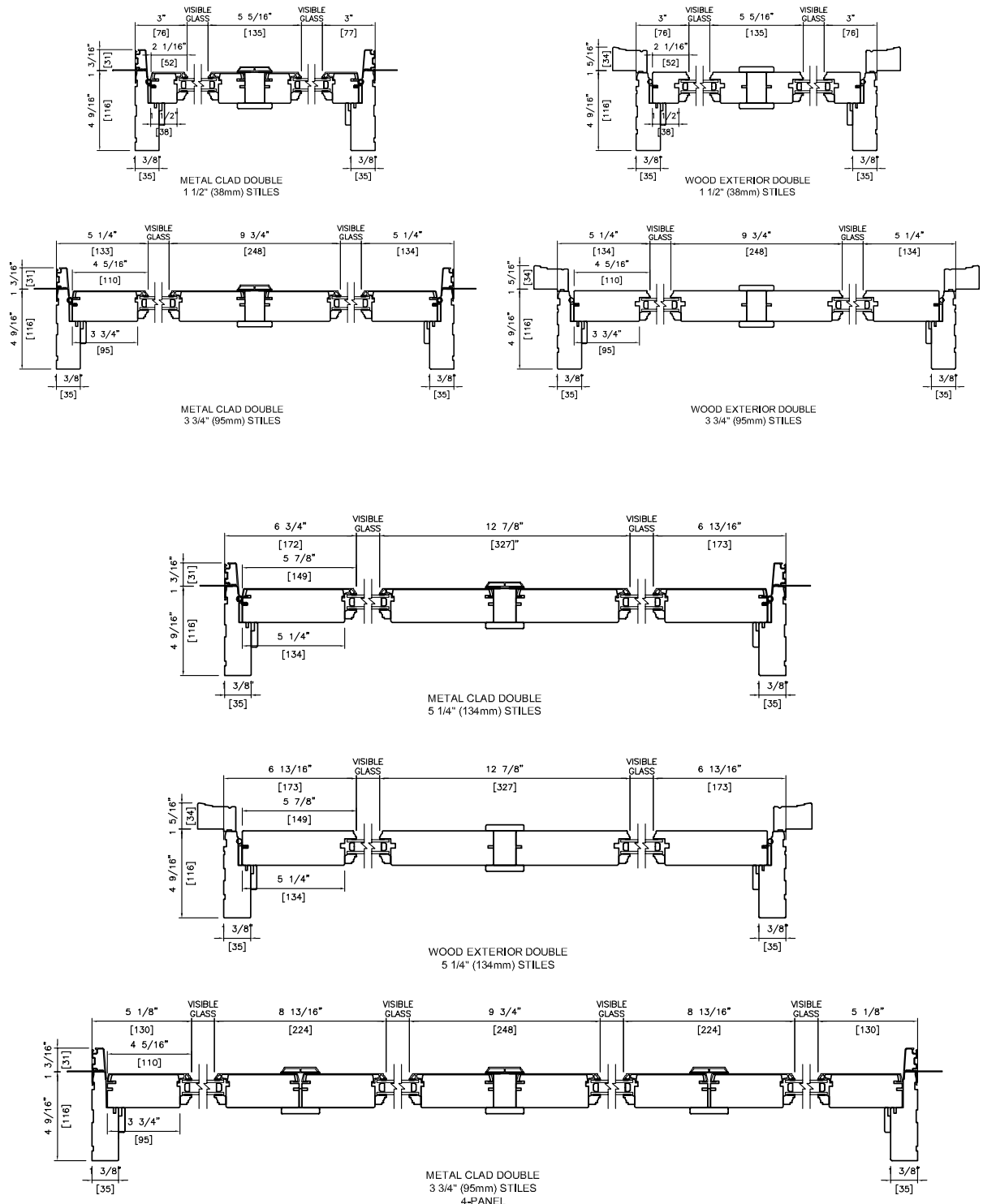


WOOD EXTERIOR STANDARD STILE  
4 5/16" (110mm) STILES

Note: • Other jamb widths available.  
• All dimensions to have +/- 1/16" (2mm) tolerance.

# Terrace/French Terrace Door Transom Rail Detail

## Plan View



Note: • Other jamb widths available.  
• All dimensions to have +/- 1/16" (2mm) tolerance.

