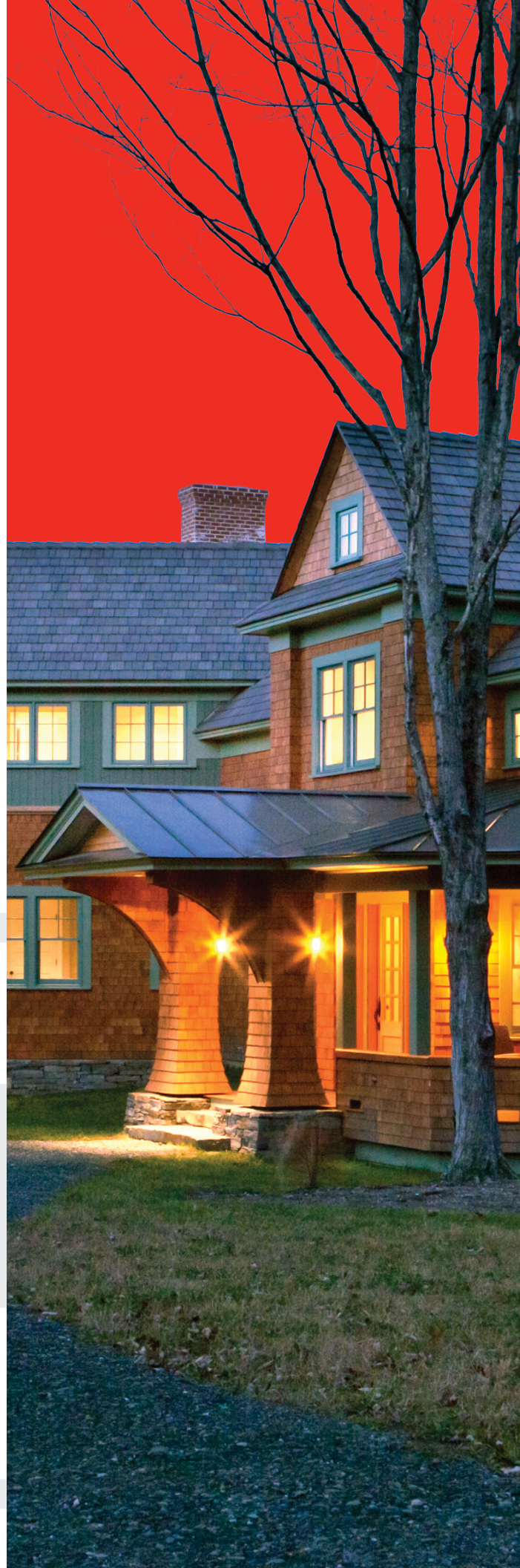


Technical Guide E

Double/Single Hung Windows



Product Features

Styles

Double Hung, Single Hung, Radius Top and Cottage options.

Standard Features

- Natural, clear Douglas Fir interior (no visible finger joints)
- 4 9/16" (116 mm) jamb construction
- LowE insulated glazing with 1/2" (13 mm) airspace
- Roto gear operator and concealed sash locks
- Extruded aluminum cladding in a variety of standard colors, primed wood or clear fir exterior
- Flexible continuous weatherstrip system
- Insect screens
- Metal handle, cover and locks

Hardware

Multiple hardware type and finish choices are available. See the Hardware in section A for more information.

Glazing

LowE Double, LowE Triple and StormForce™. StormForce is not available on all products.

Simulated Divided Lites (SDL)

Ogee Profile – 3/4" (19 mm), 1 1/8" (30 mm), 2" (51 mm)

Putty Profile – 5/8" (16 mm), 7/8" (22 mm), 1 1/8" (30 mm), 2" (51 mm)

Square Profile (interior only) – 3/4" (19 mm), 7/8" (22 mm), 1 1/8" (30 mm), 2" (51 mm)

Casing

Wood: 2" (51 mm) Brickmould, 3 1/2" (89 mm) Flat, 5 1/2" (139 mm) Flat, Adams and Williamsburg.

Metal Clad: 2" (51 mm) Brickmould, 3 1/2" (89 mm) Flat, 2" clad frame extension, Nose & Cove, Adams, Williamsburg and Contemporary.

Metal Clad Color Spectrum

All Palette colors, including anodized finishes.



Double/Single Hung

LEGEND: ● Standard ○ Optional

HARDWARE STYLES	Double/Single Hung
Sash Lock	●
Sash/Lift	○

FINISH OPTIONS: REFER TO SECTION A.

VARIABLES	Double/Single Hung
Function:	
Use for Egress	●
Available with Screen	●
Durability:	
Low Maintenance Metal Clad Exterior	●
Clear Douglas Fir Exterior Finish	○
Clear Mahogany Exterior Finish	○
Primed Exterior Finish	○
Performance:	
LowE Double	●
LowE Triple	○
StormForce™	○
Appearance:	
SDL	○

Specifications

Standards

Most units have been tested by an independent laboratory for air and water infiltration, structural performance, and thermal performance requirements.

Frame & Sash

Manufactured from Coastal Douglas Fir kiln-dried lumber with frame construction designed for 4 9/16" (116 mm) jamb. All wood exterior components are factory primed unless specified as clear exterior. Minor scratches or abrasions in the wood surface or primer are not considered defects.

Alternate Species

The entire Loewen product line is also available in optional Mahogany.

Preservative Treated

All wood parts are dipped in approved preservative.

Glazing

With countless glazing configurations and LowE coating options, we ensure that you can choose the perfect blend of protection and comfort.

Insulating Glass

Double or triple glass configurations with 1/2" (13 mm) airspace.

LowE Systems

LowE best describes the benefits of the product that incorporates glazing coatings and Argon gas. LowE systems help reduce heating and cooling costs, providing superior energy efficiency.

Simulated Divided Lites (SDL)

Standard SDL complete with airspace grilles, where available. Grille bars are permanently applied to the interior and exterior.

Hardware Option

Operator and sash locks are available in a variety of finishes. See section A.

Metal Cladding

Heavy duty exterior metal cladding comprised of extruded aluminum is available in a variety of Palette colors, including anodized and Cyprium (copper and bronze cladding). Interior of window can be natural wood (unfinished) or primed. Metal clad units are supplied ready-to-install complete with integral metal nailing flange.

Hardware

Hardware is standard in bronze, linen, or black. Optional sash lifts are available at an additional charge. Operable sash with single-handle tilt latch enables inward tilting of sash for easy cleaning.

Weatherstrip

Flexible weatherstrip ensures a positive weather seal.

Screen

Standard screens have a bronze, linen or aluminum frame, screened with anti-glare fiberglass cloth. Screen-frame color is matched to exterior finish on metal clad units. High transparency mesh, full screens and half screens available.

Egress

Standard screens have a bronze, linen or aluminum frame, screened with anti-glare fiberglass cloth. Screen-frame color is matched to exterior finish on metal clad units. High transparency mesh, full screens and half screens available.

Visit the Loewen Photo Gallery online at www.loewen.com for a large collection of Loewen product and elevation photography. Numerous custom window configuration opportunities exist – please contact your Authorized Loewen Dealer. Specifications and technical information are subject to change without notice. Imperial and metric measurements are converted accurately. However, in some cases, industry standards cause a 1 mm variance. (Example: 3/4" is shown as 19 mm for all glass measurements.)
Cad Download: www.loewen.com/architect | Installation Instructions: www.loewen.com

Double/Single Hung 1 Wide Window Sizes

Rough Opening		Width											
		Frame		Visible Glass									
				22 9/16 [573]	26 9/16 [675]	30 9/16 [777]	32 9/16 [827]	34 9/16 [878]	36 9/16 [929]	38 9/16 [980]	42 9/16 [1081]	46 9/16 [1183]	
Wood Exterior	Metal Clad	21 13/16 [554]	25 13/16 [656]	29 13/16 [758]	31 13/16 [808]	33 13/16 [859]	35 13/16 [910]	37 13/16 [961]	41 13/16 [1062]	45 13/16 [1164]			
33 11/16 [856]	33 1/16 [839]	32 5/16 [820]	11 [280]	DH1 1612	DH1 2012	DH1 2412	DH1 2612	DH1 2812	DH1 3012				
37 11/16 [957]	37 [940]	36 1/4 [921]	13 [330]	DH1 1614	DH1 2014	DH1 2414	DH1 2614						
41 11/16 [1059]	41 [1042]	40 1/4 [1023]	15 [381]	DH1 1616	DH1 2016	DH1 2416	DH1 2616	DH1 2816	DH1 3016	DH1 3216	DH1 3616	DH1 4016	
49 11/16 [1262]	49 [1245]	48 1/4 [1226]	19 [483]	DH1 1620	DH1 2020	DH1 2420	DH1 2620	DH1 2820	DH1 3020	☀ DH1 3220	☀ DH1 3620	☀ DH1 4020	
53 11/16 [1364]	53 1/16 [1347]	52 5/16 [1328]	21 [534]	DH1 1622	DH1 2022	DH1 2422	DH1 2622	☀ DH1 2822	☀ DH1 3022	☀ DH1 3222	☀ DH1 3622	☀ DH1 4022	
57 11/16 [1465]	57 [1448]	56 1/4 [1429]	23 [584]	DH1 1624	DH1 2024	DH1 2424	☀ DH1 2624	☀ DH1 2824	☀ DH1 3024	☀ DH1 3224	☀ DH1 3624	☀ DH1 4024	
61 11/16 [1567]	61 [1550]	60 1/4 [1531]	25 [635]	DH1 1626	DH1 2026	☀ DH1 2426	☀ DH1 2626	☀ DH1 2826	☀ DH1 3026	☀☀ DH1 3226	☀☀ DH1 3626	☀☀ DH1 4026	
65 11/16 [1668]	65 [1651]	64 1/4 [1632]	27 [686]	DH1 1628	DH1 2028	☀ DH1 2428	☀ DH1 2628	☀ DH1 2828	☀ DH1 3028	☀☀ DH1 3228	☀☀ DH1 3628	☀☀ DH1 4028	
69 11/16 [1770]	69 [1753]	68 1/4 [1734]	29 [737]	DH1 1630	☀ DH1 2030	☀ DH1 2430	☀ DH1 2630	☀ DH1 2830	☀☀ DH1 3030	☀☀ DH1 3230	☀☀ DH1 3630	☀☀ DH1 4030	
73 11/16 [1872]	73 1/16 [1855]	72 5/16 [1836]	31 [788]	DH1 1632	☀ DH1 2032	☀ DH1 2432	☀ DH1 2632	☀☀ DH1 2832	☀☀ DH1 3032	☀☀ DH1 3232	☀☀ DH1 3632	☀☀ DH1 4032	
77 11/16 [1973]	77 [1956]	76 1/4 [1937]	33 [838]	☀ DH1 1634	☀ DH1 2034	☀ DH1 2434	☀☀ DH1 2634	☀☀ DH1 2834	☀☀ DH1 3034	☀☀ DH1 3234	☀☀ DH1 3634	☀☀ DH1 4034	
81 11/16 [2075]	81 [2058]	80 1/4 [2039]	35 [889]	☀ DH1 1636	☀ DH1 2036	☀☀ DH1 2436	☀☀ DH1 2636	☀☀ DH1 2836	☀☀ DH1 3036	☀☀ DH1 3236	☀☀ DH1 3636	☀☀ DH1* 4036	
85 11/16 [2176]	85 [2159]	84 1/4 [2140]	37 [940]	☀ DH1 1638	☀ DH1 2038	☀☀ DH1 2438	☀☀ DH1 2638	☀☀ DH1 2838	☀☀ DH1 3038	☀☀ DH1 3238	☀☀ DH1 3638	☀☀ DH1* 4038	

Product Code

Glass Size = Visible Glass + 15/16" (24 mm)

Standard sizes Shown. Additional sizes may be available. Custom sizes can be ordered.

- Note:**
- Substitute SH1 for DH1 when ordering a Single Hung unit.
 - SDL/Grille patterns are dependent on SDL/Grille type and window size. Please verify SDL/Grille patterns before confirming your order.
 - For Masonry opening information see page A30-A31.
 - Sizes are shown as double glazing, not all sizes may be available in triple glazing.
 - Only available in Liberty (non-tilt).
 - Egress calculations are based on the unit being opened at 70° for washability hinge, 80° for egress hinge, and having minimum clear openings of:
 - ☀ Meets US Egress: 20" in width, 24" in height, with a total egress area of 5.7 Sq Ft
 - ☀ Meets Canadian Egress: 15" in width, 15" in height, with a total egress area of 3.8 Sq Ft
 - Please check your local building codes for any variation in Egress Standards from those stated above. For egress information, contact your Authorized Loewen Dealer.

Double/Single Hung 2 Wide Window Sizes

Width

Height

Rough Opening													
Wood Exterior	Metal Clad	Frame											
		Visible Glass											
			15 1/16 [382]	19 1/16 [484]	23 1/16 [586]	25 1/16 [636]	27 1/16 [687]	29 1/16 [738]	31 1/16 [789]	35 1/16 [890]	39 1/16 [992]		
44 3/8 [1127]	52 3/8 [1331]	60 7/16 [1535]	64 3/8 [1635]	68 3/8 [1737]	72 3/8 [1839]	76 7/16 [1941]	84 3/8 [2143]	92 3/8 [2347]					
33 11/16 [856]	33 1/16 [839]	32 5/16 [820]	11 [280]	DH2 1612	DH2 2012	DH2 2412	DH2 2612	DH2 2812	DH2 3012				
37 11/16 [957]	37 [940]	36 1/4 [921]	13 [330]	DH2 1614	DH2 2014	DH2 2414	DH2 2614						
41 11/16 [1059]	41 [1042]	40 1/4 [1023]	15 [381]	DH2 1616	DH2 2016	DH2 2416	DH2 2616	DH2 2816	DH2 3016	DH2 3216	DH2 3616	DH2 4016	
49 11/16 [1262]	49 [1245]	48 1/4 [1226]	19 [483]	DH2 1620	DH2 2020	DH2 2420	DH2 2620	DH2 2820	DH2 3020	☛ DH2 3220	☛ DH2 3620	☛ DH2 4020	
53 11/16 [1364]	53 1/16 [1347]	52 5/16 [1328]	21 [534]	DH2 1622	DH2 2022	DH2 2422	DH2 2622	☛ DH2 2822	☛ DH2 3022	☛ DH2 3222	☛ DH2 3622	☛ DH2 4022	
57 11/16 [1465]	57 [1448]	56 1/4 [1429]	23 [584]	DH2 1624	DH2 2024	DH2 2424	☛ DH2 2624	☛ DH2 2824	☛ DH2 3024	☛ DH2 3224	☛ DH2 3624	☛ DH2 4024	
61 11/16 [1567]	61 [1550]	60 1/4 [1531]	25 [635]	DH2 1626	DH2 2026	☛ DH2 2426	☛ DH2 2626	☛ DH2 2826	☛ DH2 3026	☛☛ DH2 3226	☛☛ DH2 3626	☛☛ DH2 4026	
65 11/16 [1668]	65 [1651]	64 1/4 [1632]	27 [686]	DH2 1628	DH2 2028	☛ DH2 2428	☛ DH2 2628	☛ DH2 2828	☛ DH2 3028	☛☛ DH2 3228	☛☛ DH2 3628	☛☛ DH2 4028	
69 11/16 [1770]	69 [1753]	68 1/4 [1734]	29 [737]	DH2 1630	☛ DH2 2030	☛ DH2 2430	☛ DH2 2630	☛ DH2 2830	☛☛ DH2 3030	☛☛ DH2 3230	☛☛ DH2 3630	☛☛ DH2 4030	
73 11/16 [1872]	73 1/16 [1855]	72 5/16 [1836]	31 [788]	DH2 1632	☛ DH2 2032	☛ DH2 2432	☛ DH2 2632	☛☛ DH2 2832	☛☛ DH2 3032	☛☛ DH2 3232	☛☛ DH2 3632	☛☛ DH2 4032	
77 11/16 [1973]	77 [1956]	76 1/4 [1937]	33 [838]	☛ DH2 1634	☛ DH2 2034	☛ DH2 2434	☛☛ DH2 2634	☛☛ DH2 2834	☛☛ DH2 3034	☛☛ DH2 3234	☛☛ DH2 3634	☛☛ DH2 4034	
81 11/16 [2075]	81 [2058]	80 1/4 [2039]	35 [889]	☛ DH2 1636	☛ DH2 2036	☛☛ DH2 2436	☛☛ DH2 2636	☛☛ DH2 2836	☛☛ DH2 3036	☛☛ DH2 3236	☛☛ DH2 3636	☛☛ DH2* 4036	
85 11/16 [2176]	85 [2159]	84 1/4 [2140]	37 [940]	☛ DH2 1638	☛ DH2 2038	☛☛ DH2 2438	☛☛ DH2 2638	☛☛ DH2 2838	☛☛ DH2 3038	☛☛ DH2 3238	☛☛ DH2 3638	☛☛ DH2* 4038	

Product Code

Glass Size = Visible Glass + 15/16" (24 mm)

Standard sizes Shown. Additional sizes may be available. Custom sizes can be ordered.

- Note:**
- Substitute SH1 for DH1 when ordering a Single Hung unit.
 - SDL/Grille patterns are dependent on SDL/Grille type and window size. Please verify SDL/Grille patterns before confirming your order.
 - For Masonry opening information see page A30-A31.
 - Sizes are shown as double glazing, not all sizes may be available in triple glazing.
 - Only available in Liberty (non-tilt).
 - Egress calculations are based on the unit being opened at 70° for washability hinge, 80° for egress hinge, and having minimum clear openings of:
 - ★ Meets US Egress: 20" in width, 24" in height, with a total egress area of 5.7 Sq Ft
 - ☛ Meets Canadian Egress: 15" in width, 15" in height, with a total egress area of 3.8 Sq Ft
 - Please check your local building codes for any variation in Egress Standards from those stated above. For egress information, contact your Authorized Loewen Dealer.

Double/Single Hung Fixed Window Sizes

Rough Opening				Width							
				Wood Exterior		Metal Clad		Frame		Visible Glass	
								Frame		Visible Glass	
Wood Exterior		Metal Clad		Frame		Visible Glass		Product Code			
				42 9/16 [1081]	46 9/16 [1183]	50 9/16 [1285]	54 9/16 [1386]	62 9/16 [1589]	70 9/16 [1793]		
				41 13/16 [1062]	45 13/16 [1164]	49 13/16 [1266]	53 13/16 [1367]	61 13/16 [1570]	69 13/16 [1774]		
				35 1/16 [890]	39 1/16 [992]	43 1/16 [1094]	47 1/16 [1195]	55 1/16 [1398]	63 1/16 [1602]		
33 11/16 [856]	33 1/16 [839]	32 5/16 [820]	24 1/16 [611]	DF 3625	DF 4025	DF 4425	DF 4825	DF 5625	DF 6425		
37 11/16 [957]	37 [940]	36 1/4 [921]	28 1/16 [712]	DF 3629	DF 4029	DF 4429	DF 4829	DF 5629	DF 6429		
41 11/16 [1059]	41 [1042]	40 1/4 [1023]	32 1/16 [814]	DF 3633	DF 4033	DF 4433	DF 4833	DF 5633	DF 6433		
49 11/16 [1262]	49 [1245]	48 1/4 [1226]	40 1/16 [1017]	DF 3641	DF 4041	DF 4441	DF 4841	DF 5641	DF 6441		
53 11/16 [1364]	53 1/16 [1347]	52 5/16 [1328]	44 1/16 [1119]	DF 3645	DF 4045	DF 4445	DF 4845	DF 5645	DF 6445		
57 11/16 [1465]	57 [1448]	56 1/4 [1429]	48 1/16 [1220]	DF 3649	DF 4049	DF 4449	DF 4849	DF 5649	DF 6449		
61 11/16 [1567]	61 [1550]	60 1/4 [1531]	52 1/16 [1322]	DF 3653	DF 4053	DF 4453	DF 4853	DF 5653	DF 6453		
65 11/16 [1668]	65 [1651]	64 1/4 [1632]	56 [1423]	DF 3657	DF 4057	DF 4457	DF 4857	DF 5657	DF 6457		
69 11/16 [1770]	69 [1753]	68 1/4 [1734]	60 1/16 [1525]	DF 3661	DF 4061	DF 4461	DF 4861	DF 5661	DF 6461		
73 11/16 [1872]	73 1/16 [1855]	72 5/16 [1836]	64 1/16 [1627]	DF 3665	DF 4065	DF 4465	DF 4865	DF 5665	DF* 6465		
77 11/16 [1973]	77 [1956]	76 1/4 [1937]	68 1/16 [1728]	DF 3669	DF 4069	DF 4469	DF 4869	DF* 5669	DF* 6469		
81 11/16 [2075]	81 [2058]	80 1/4 [2039]	72 1/16 [1830]	DF 3673	DF 4073	DF 4473	DF 4873	DF* 5673	DF* 6473		
85 11/16 [2176]	85 [2159]	84 1/4 [2140]	76 [1931]	DF 3677	DF 4077	DF 4477	DF 4877	DF* 5677	DF* 6477		

Glass Size = Visible Glass + 15/16" (24 mm)

Standard sizes Shown. Additional sizes may be available. Custom sizes can be ordered.

- Note:**
- SDL/Grille patterns are dependent on SDL/Grille type and window size. Please verify SDL/Grille patterns before confirming your order.
 - For Masonry opening information see page A30-A31.
 - Sizes are shown as double glazing, not all sizes may be available in triple glazing.
 - Only available with a Grand Sash.

Double/Single Hung Transom Window Sizes

				Width									
Rough Opening				22 9/16 [573]	26 9/16 [675]	30 9/16 [777]	32 9/16 [827]	34 9/16 [878]	36 9/16 [929]	38 9/16 [980]	42 9/16 [1081]	46 9/16 [1183]	
Wood Exterior	Metal Clad	Frame		21 13/16 [554]	25 13/16 [656]	29 13/16 [758]	31 13/16 [808]	33 13/16 [859]	35 13/16 [910]	37 13/16 [961]	41 13/16 [1062]	45 13/16 [1164]	
		Visible Glass		15 1/16 [382]	19 1/16 [484]	23 1/16 [586]	25 1/16 [636]	27 1/16 [687]	29 1/16 [738]	31 1/16 [789]	35 1/16 [890]	39 1/16 [992]	
Height	17 1/4 [438]	16 9/16 [421]	15 13/16 [402]	9 1/16 [230]	DT 1610	DT 2010	DT 2410	DT 2610	DT 2810	DT 3010	DT 3210	DT 3610	DT 4010
	19 1/4 [489]	18 9/16 [472]	17 13/16 [453]	11 1/16 [281]	DT 1612	DT 2012	DT 2412	DT 2612	DT 2812	DT 3012	DT 3212	DT 3612	DT 4012
	21 1/4 [540]	20 9/16 [523]	19 13/16 [504]	13 1/16 [332]	DT 1614	DT 2014	DT 2414	DT 2614	DT 2814	DT 3014	DT 3214	DT 3614	DT 4014
	23 1/4 [590]	22 9/16 [573]	21 13/16 [554]	15 1/16 [382]	DT 1616	DT 2016	DT 2416	DT 2616	DT 2816	DT 3016	DT 3216	DT 3616	DT 4016
	25 1/4 [641]	24 9/16 [624]	23 13/16 [605]	17 1/16 [433]	DT 1618	DT 2018	DT 2418	DT 2618	DT 2818	DT 3018	DT 3218	DT 3618	DT 4018
	27 1/4 [692]	26 9/16 [675]	25 13/16 [656]	19 1/16 [484]	DT 1620	DT 2020	DT 2420	DT 2620	DT 2820	DT 3020	DT 3220	DT 3620	DT 4020
				Product Code									

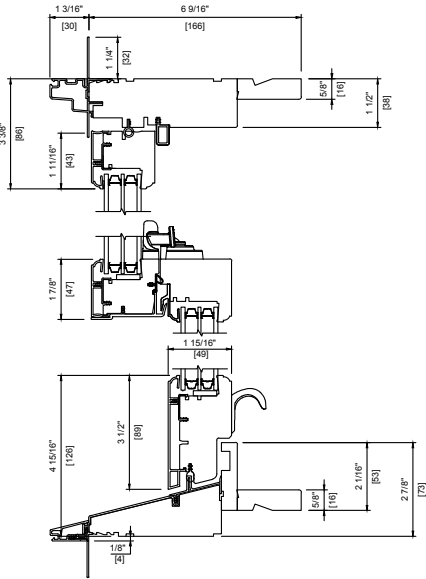
Glass Size = Visible Glass + 15/16" (24 mm)

Standard sizes Shown. Additional sizes may be available. Custom sizes can be ordered.

- Note:**
- SDL/Grille patterns are dependent on SDL/Grille type and window size. Please verify SDL/Grille patterns before confirming your order.
 - For Masonry opening information see page A30-A31.
 - Sizes are shown as double glazing, not all sizes may be available in triple glazing.

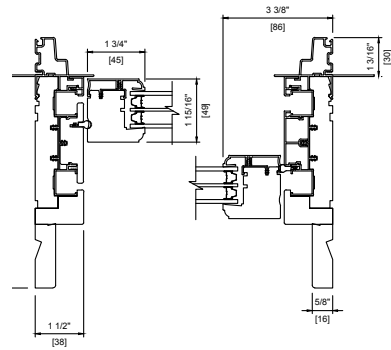
Double/Single Hung – Double Hung Tilting Window Detail

Head & Sill Detail



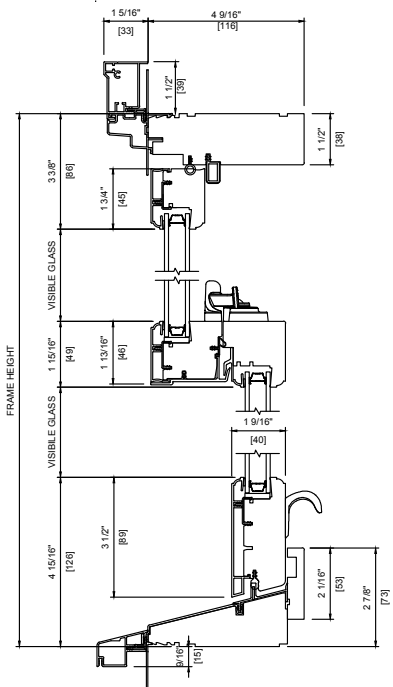
METAL CLAD TRIPLE
6 9/16" (166 mm)
MULTILITE SILL NOSE

Plan View



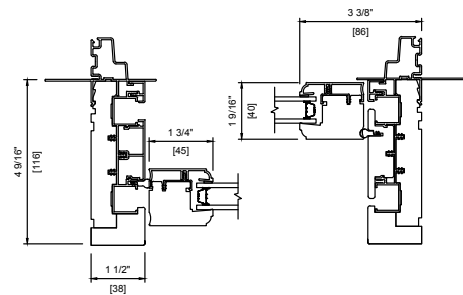
METAL CLAD TRIPLE
6 9/16" (166 mm)

Head & Sill Detail



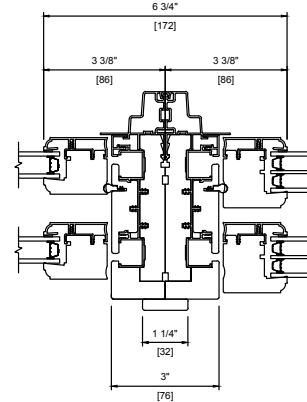
METAL CLAD DOUBLE
4 9/16" (116 mm)
2" BRICKMOULD
STANDARD SILL NOSE

Plan View



METAL CLAD DOUBLE
6 9/16" (166 mm)

Mull Detail

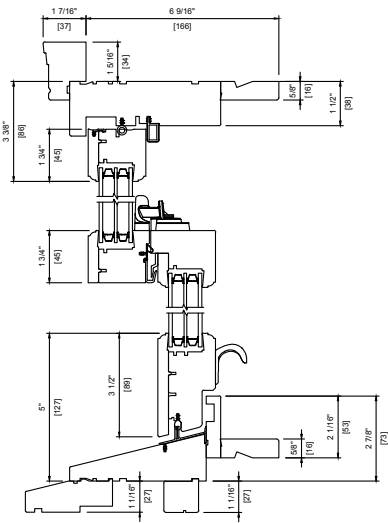


Note:

- Other jamb widths available.
- All dimensions to have +/- 1/16" (2mm) tolerance.

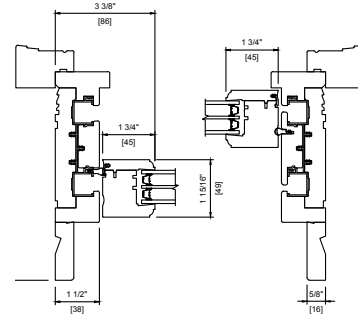
Double/Single Hung – Double Hung Tilting Window Detail

Head & Sill Detail



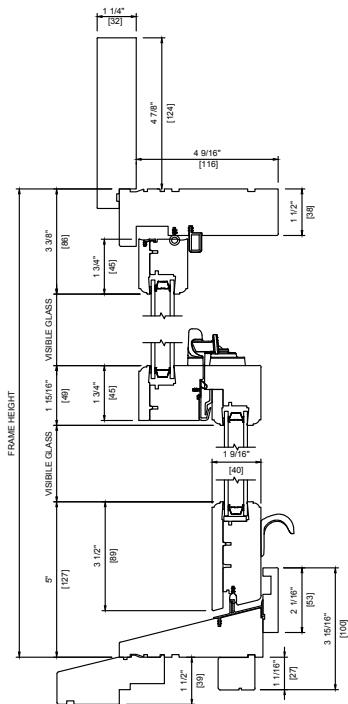
WOOD EXTERIOR TRIPLE
6 9/16" (166 mm)
2" BRICKMOULD STANDARD SUBSILL

Plan View



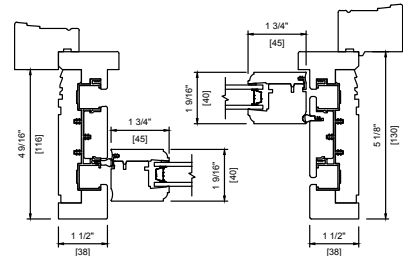
WOOD EXTERIOR TRIPLE
6 9/16" (166 mm)
2" BRICKMOULD

Head & Sill Detail



WOOD EXTERIOR DOUBLE
4 9/16" (116 mm)
5 1/2" FLAT CASING BC SUBSILL

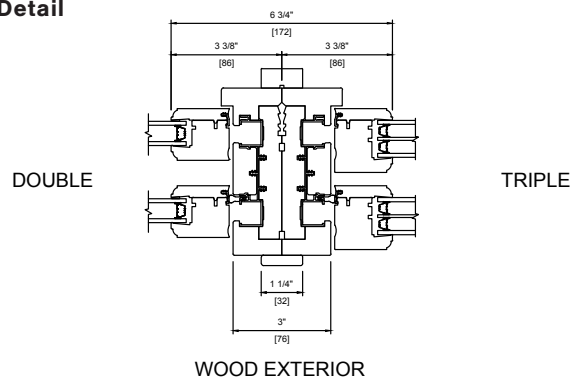
Plan View



FLUSH MOUNT CASING

WOOD EXTERIOR DOUBLE
4 9/16" (116 mm) + 5 1/8" (130 mm)
2" BRICKMOULD

Mull Detail



DOUBLE

TRIPLE

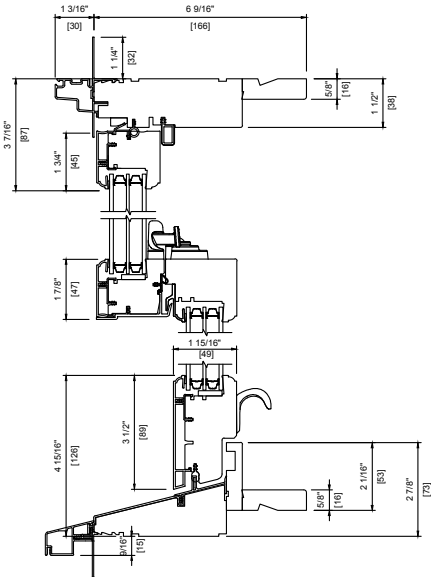
WOOD EXTERIOR

Note:

- Other jamb widths available.
- All dimensions to have +/- 1/16" (2mm) tolerance.

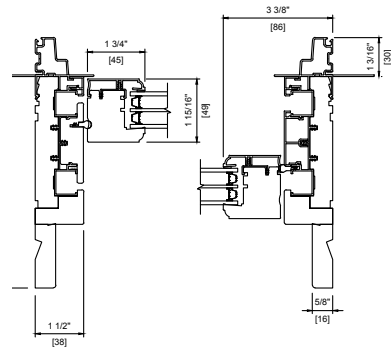
Double/Single Hung – Single Hung Tilting Window Detail

Head & Sill Detail



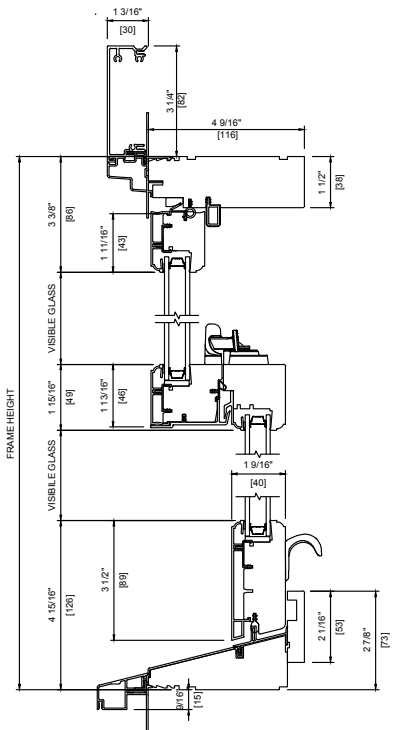
METAL CLAD TRIPLE
6 9/16" (166 mm)

Plan View



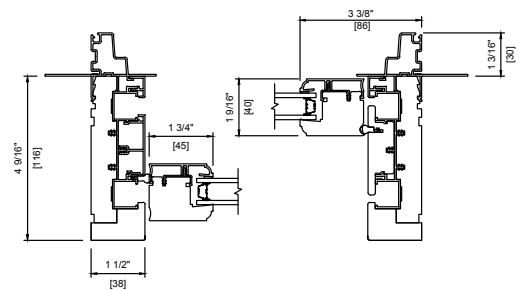
METAL CLAD TRIPLE
6 9/16" (166 mm)

Head & Sill Detail



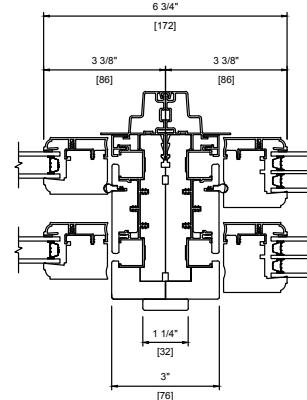
METAL CLAD DOUBLE
4 9/16" (116 mm)
3 1/2" FLAT CASING STANDARD SILL NOSE

Plan View



METAL CLAD DOUBLE
4 9/16" (116 mm)

Mull Detail

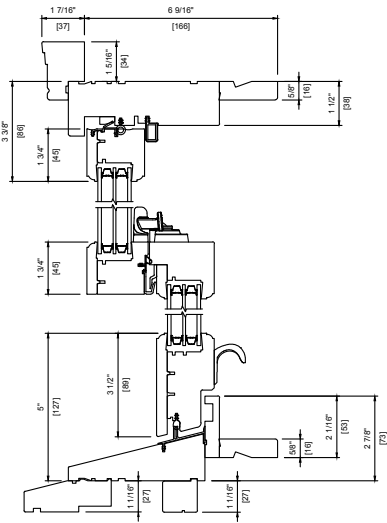


Note:

- Other jamb widths available.
- All dimensions to have +/- 1/16" (2mm) tolerance.

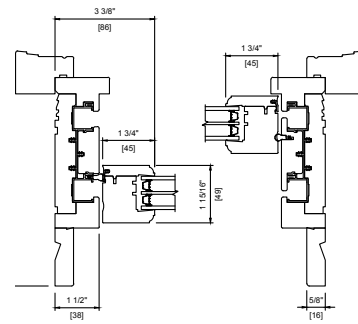
Double/Single Hung – Single Hung Tilting Window Detail

Head & Sill Detail



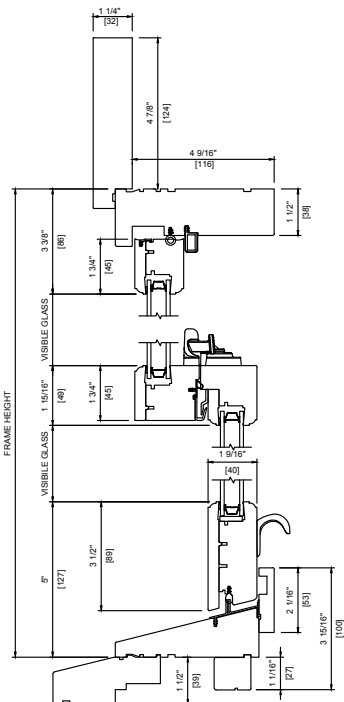
WOOD EXTERIOR TRIPLE
6 9/16" (166 mm)
2" BRICKMOULD STANDARD SUBSILL

Plan View



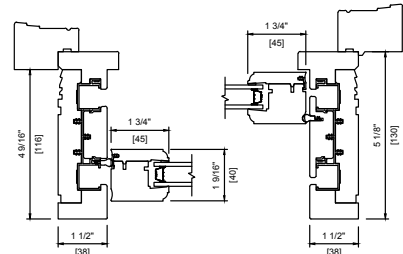
WOOD EXTERIOR TRIPLE
6 9/16" (166 mm)
2" BRICKMOULD

Head & Sill Detail



WOOD EXTERIOR DOUBLE
4 9/16" (116 mm)
5 1/2" FLAT CASING BC SUBSILL

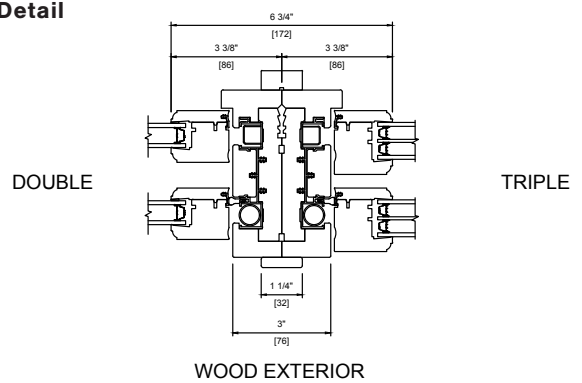
Plan View



WOOD EXTERIOR DOUBLE
4 9/16" (116 mm) + 5 1/8" (130 mm)
2" BRICKMOULD

FLUSH MOUNT CASING

Mull Detail



DOUBLE

TRIPLE

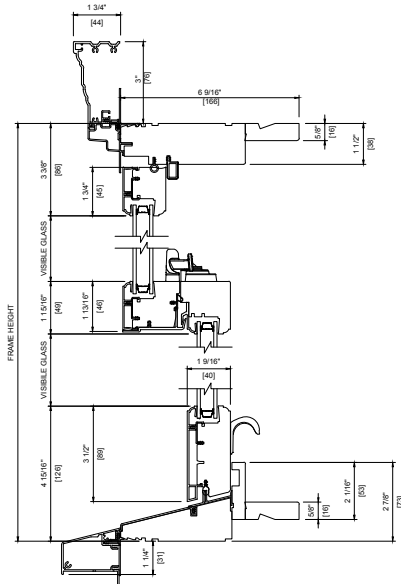
WOOD EXTERIOR

Note:

- Other jamb widths available.
- All dimensions to have +/- 1/16" (2mm) tolerance.

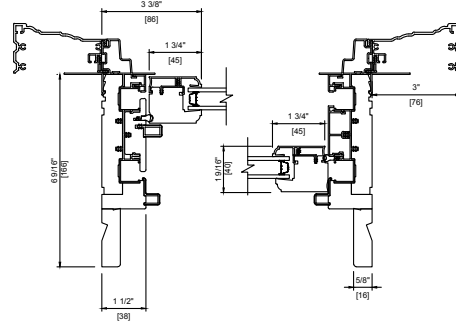
Double/Single Hung – Liberty (Non-Tilting) Window Detail

Head & Sill Detail



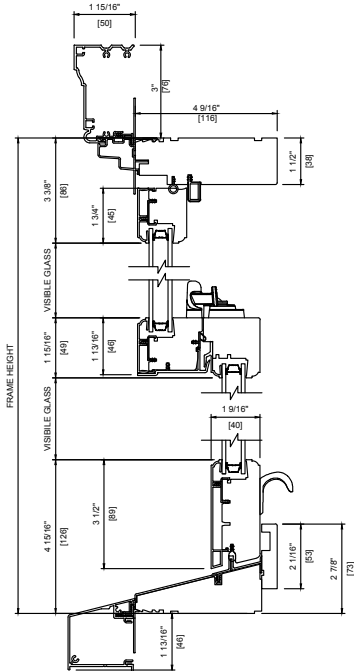
METAL CLAD DOUBLE
6 9/16" (166 mm)
ADAMS CASING BC SILL NOSE

Plan View



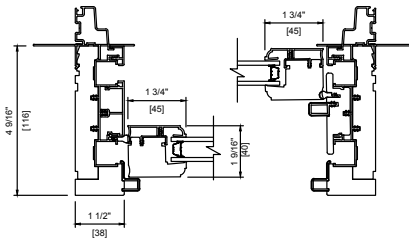
METAL CLAD DOUBLE
6 9/16" (166 mm)
ADAMS CASING

Head & Sill Detail



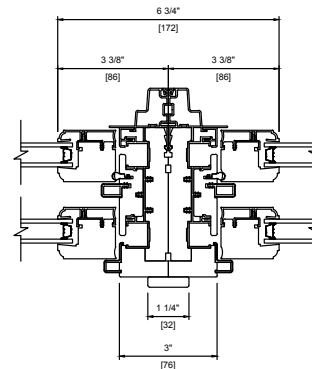
METAL CLAD DOUBLE
4 9/16" (116 mm)
WILLIAMSBURG CASING HERITAGE SILL NOSE

Plan View



METAL CLAD DOUBLE
6 9/16" (166 mm)

Mull Detail

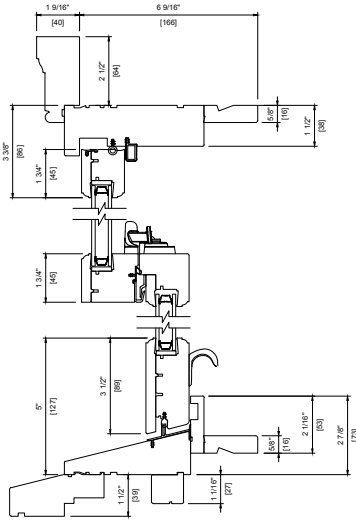


Note:

- Other jamb widths available.
- All dimensions to have +/- 1/16" (2mm) tolerance.

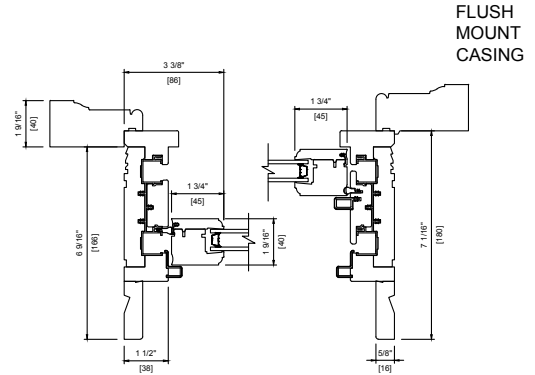
Double/Single Hung – Liberty (Non-Tilting) Window Detail

Head & Sill Detail



WOOD EXTERIOR DOUBLE
6 9/16" (166 mm)
WILLIAMSBURG CASING BC SUBSILL

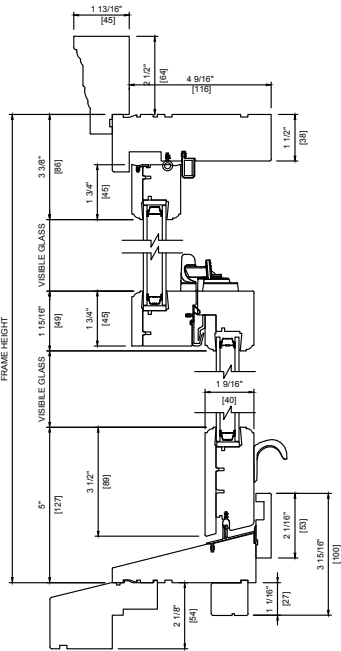
Plan View



FLUSH MOUNT CASING

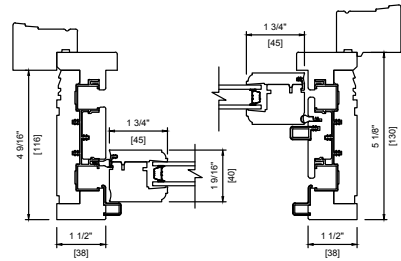
WOOD EXTERIOR DOUBLE
6 9/16" (166 mm) + 7 1/16" (180 mm)
WILLIAMSBURG CASING

Head & Sill Detail



WOOD EXTERIOR DOUBLE
4 9/16" (116 mm)
ADAMS CASING HERITAGE SUBSILL

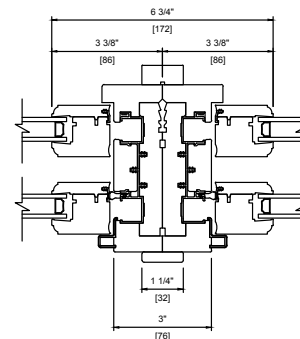
Plan View



FLUSH MOUNT CASING

WOOD EXTERIOR DOUBLE
4 9/16" (116 mm) + 5 1/8" (130 mm)
2" BRICKMOULD

Mull Detail



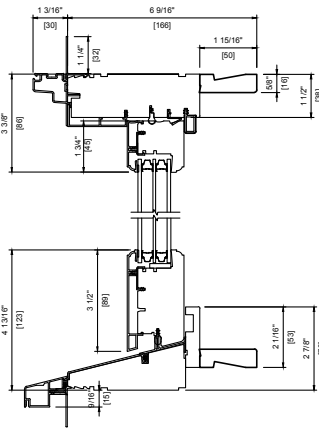
WOOD EXTERIOR

Note:

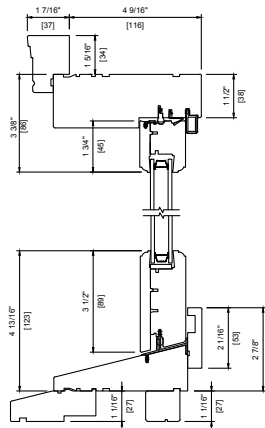
- Other jamb widths available.
- All dimensions to have +/- 1/16" (2mm) tolerance.

Double/Single Hung – Fixed Window Detail

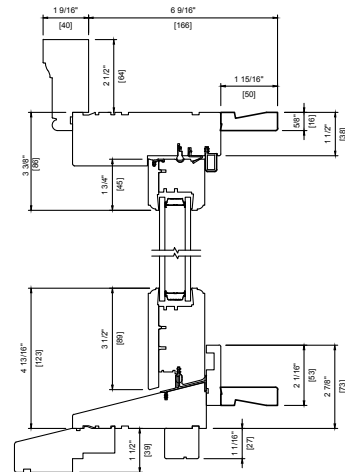
Head & Sill Detail



METAL CLAD GRAND SASH TRIPLE
6 9/16" (166 mm)

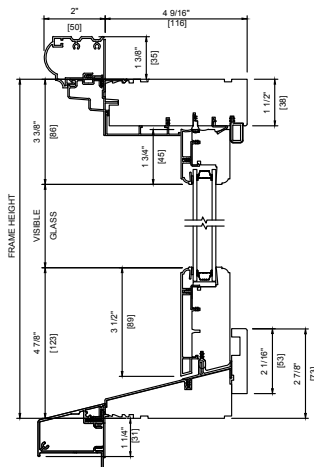


WOOD EXTERIOR DOUBLE
4 9/16" (116 mm)
2" BRICKMOULD STANDARD SUB SILL



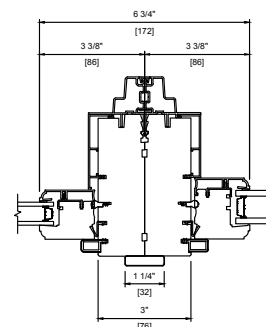
WOOD EXTERIOR DOUBLE
6 9/16" (166 mm)
WILLIAMSBURG BC SUB SILL

Head & Sill Detail



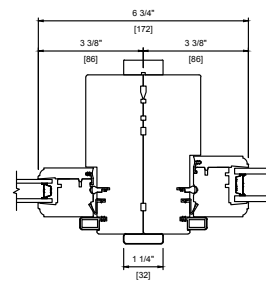
METAL CLAD DOUBLE
4 9/16" (116 mm)
NOSE & COVE BC SILL NOSE

Plan View



METAL CLAD

GRAND SASH



WOOD EXTERIOR

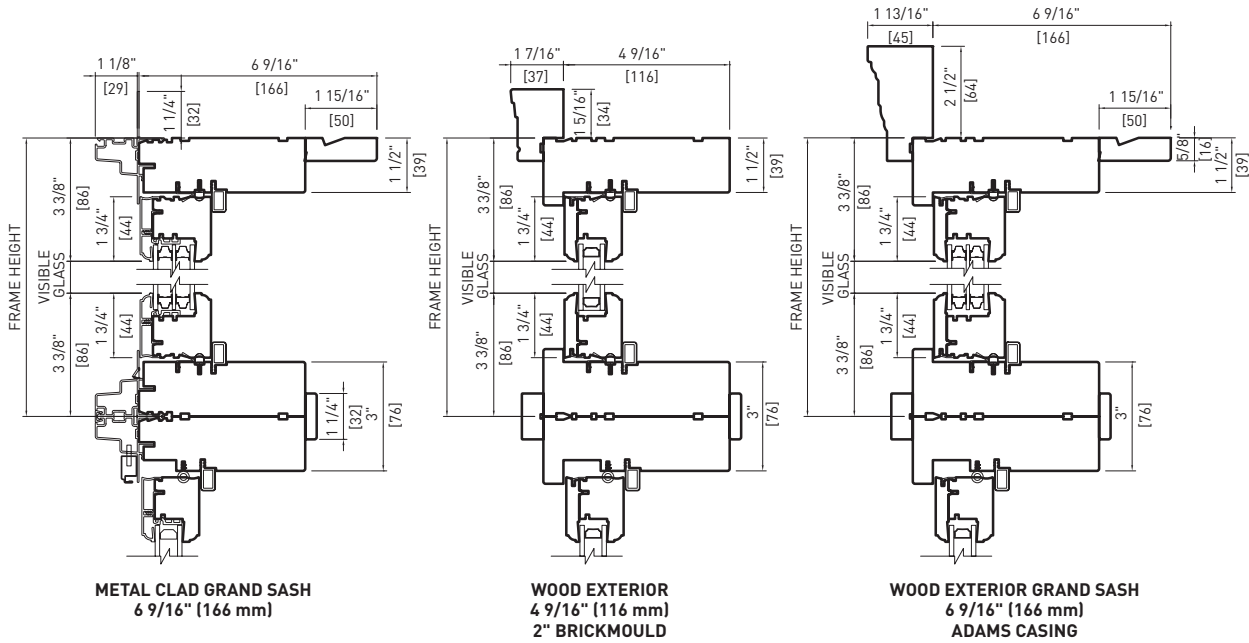
GRAND SASH

Note:

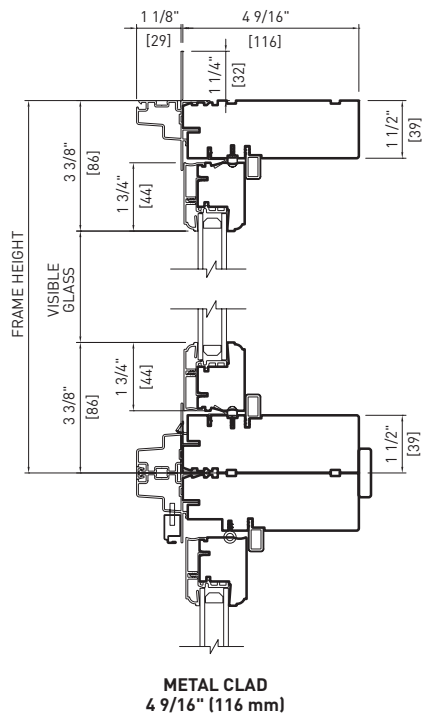
- Other jamb widths available.
- All dimensions to have +/- 1/16" (2mm) tolerance.

Double/Single Hung – Transom Window Detail

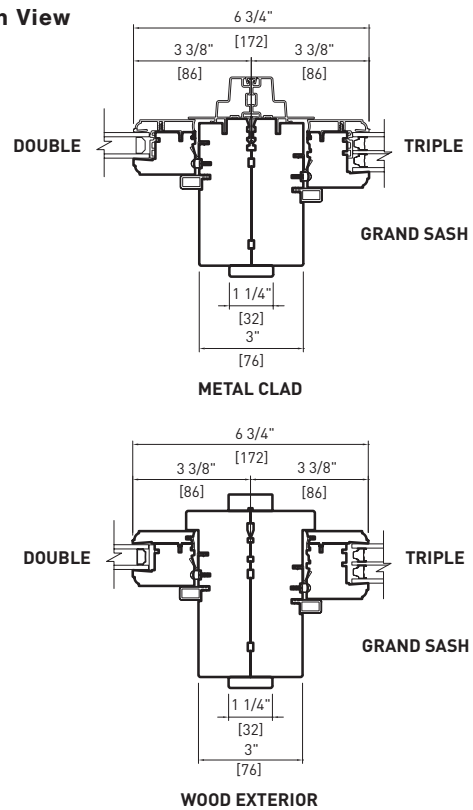
Head & Sill Detail



Head & Sill Detail



Plan View



Note: • Other jamb widths available.
• All dimensions to have +/- 1/16" (2mm) tolerance.

