

Metal Clad Picture Window Glass & Glazing Stop Installation Instruction

(Applies to Standard Units, Corner Units with a Corner Post and Butt Glazed Corner Units)



These instructions contain important installation, finishing and homeowner information. Please keep them with the window until the homeowner removes them.

Loewen recommends reviewing the entire instruction and familiarizing yourself with this procedure prior to installation. This supplement demonstrates how to install the glass and Glazing Stops on a metal clad Picture Window.

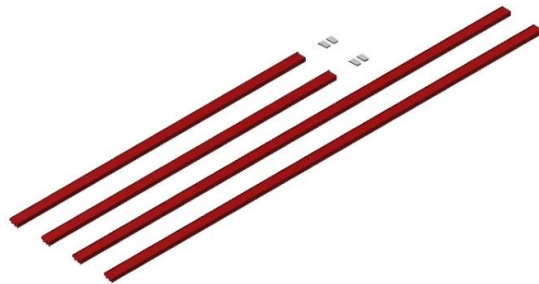


Important: Always practice safety! Wear the appropriate eye, ear and hand protection, especially when working with power tools.

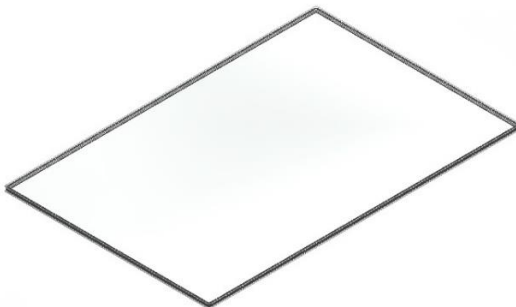
Included Components:



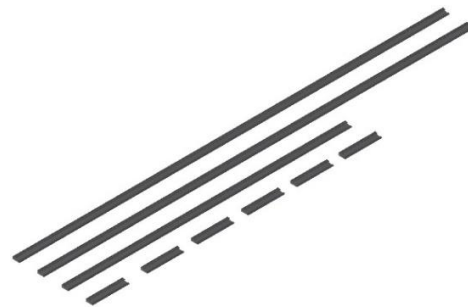
Frame Assembly Unit



Glazing Stop (Jamb x2; Head x1; Sill x1)
Glazing Stop Gasket x4



Sealed Unit



Glazing Stop Clips (Jamb x2, Head x1, Sill
x Various)



Glazing Shim



#6 x 3/4" Pan
Head Screws



Drilling Template

Metal Clad Picture Window Glass & Glazing Stop Installation Instruction

(Applies to Standard Units, Corner Units with a Corner Post and Butt Glazed Corner Units)



Required Tools and Materials:



U1600 Glazing Sealant



Damp Rag



Drill Kit



QUAD Screw Driver



Measuring Tape



Marker



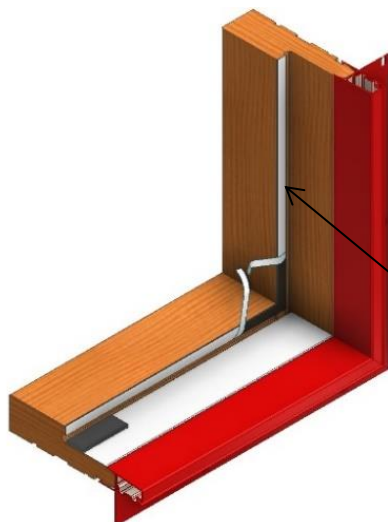
9/64" Drill Bit



Isopropanol

Installation Steps:

1. Install the open frame from the exterior into rough opening. (For frame installation details refer to Loewen Window Installation Guide-New Construction)
2. Pull away 50 mm (2") of plastic film from each end of the Interior Glazing Tape towards the interior of the window.



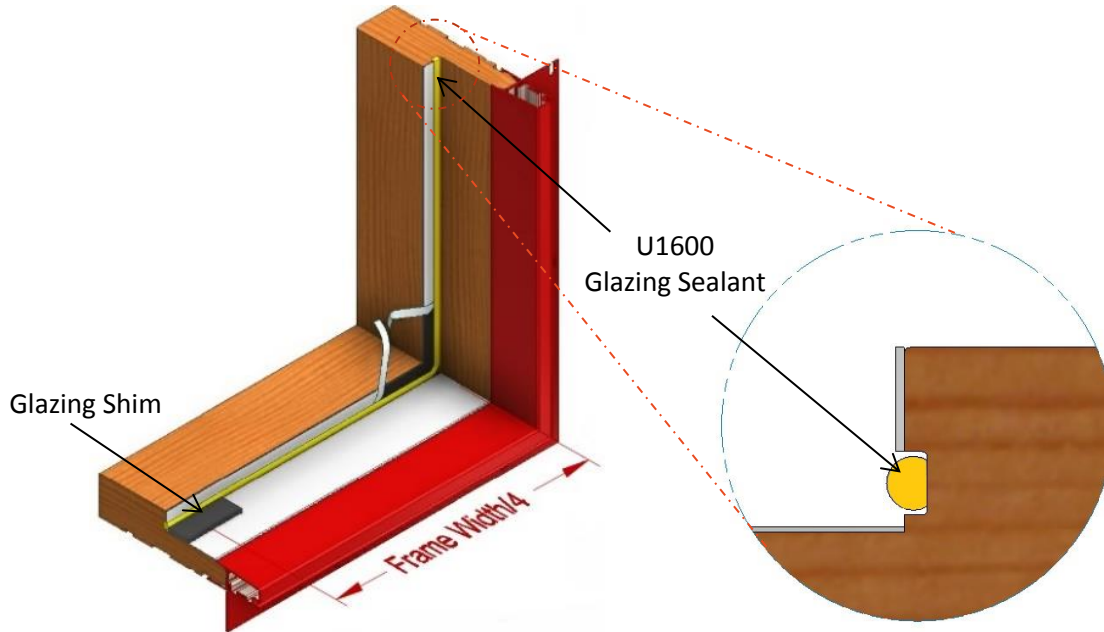
Interior Glazing Tape

Metal Clad Picture Window Glass & Glazing Stop Installation Instruction

(Applies to Standard Units, Corner Units with a Corner Post and Butt Glazed Corner Units)

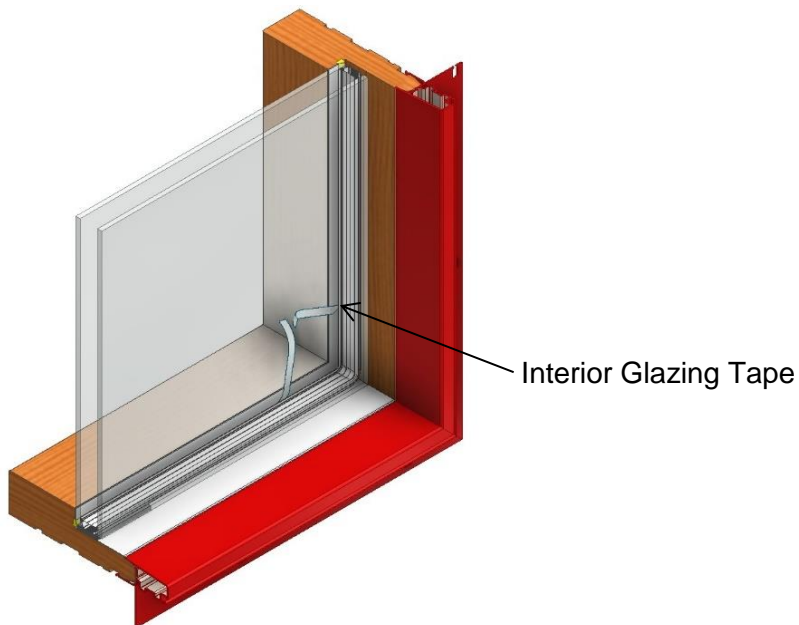


3. Apply continuous 6 mm (1/4") bead of U1600 Glazing Sealant into groove along all frame. Place Glazing Shims on the frame sill, one quarter of the frame opening from each corner.



4. Place sealed unit into Picture frame.

(NOTE: The Loewen logo must be on top right hand corner and face the interior)



Metal Clad Picture Window Glass & Glazing Stop Installation Instruction

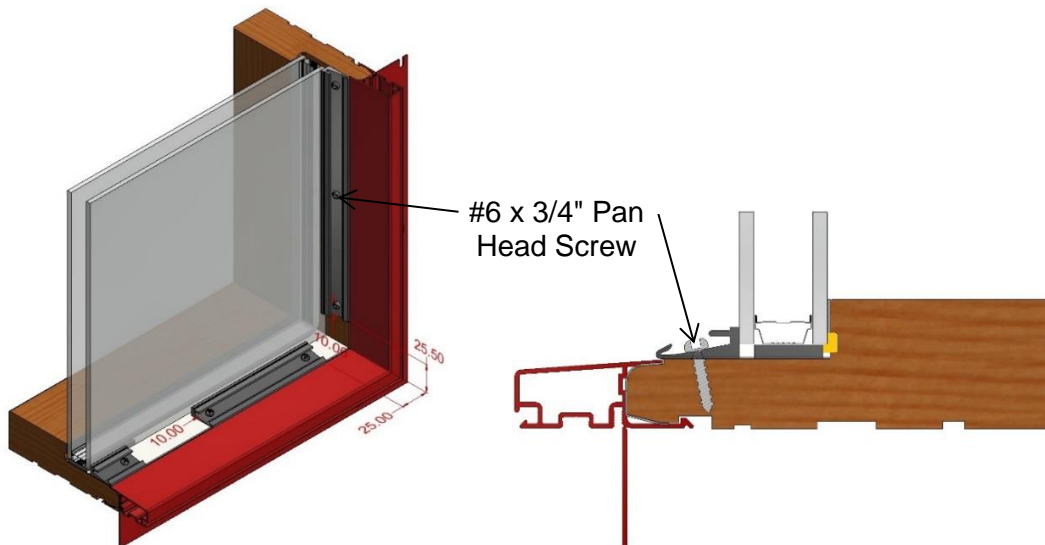
(Applies to Standard Units, Corner Units with a Corner Post and Butt Glazed Corner Units)



5. Use template 36028_0 to mark the hole location on each Sill Glazing Stop Clip.



6. Install 2 Glazing Shims on each jamb and the head in the cavity between the sealed unit and frame. Place Glazing Shims on the jamb/head, one quarter of the frame opening from each corner.
7. Place 120 mm (4 5/8") length stop retainer clips on the sill. Full-length clips are used on other sides of frame. Ensure the clips hold the sealed unit tight to the frame. Drill holes using a 9/64" diameter drill bit through clips. Ensure that the hole does not penetrate through the frame.
8. Fasten clips using #6 x 3/4" Pan Head Screws (Loewen #: 70200) at each hold location.
9. Center full-length clips on their respective frame member. Place screws 25 mm (1") from the ends and 100 mm (4") on center along the Head and Jamb Glazing Stop Clips.



Metal Clad Picture Window Glass & Glazing Stop Installation Instruction

(Applies to Standard Units, Corner Units with a Corner Post and Butt Glazed Corner Units)



10. Remove blue plastic backing from interior tape, all four sides.

11. The Sill Glazing Stop can be differentiated from the Head Glazing Stop by the weather-strip length. The weather-strip stops 10 mm (3/8") short of each end of the Sill Glazing Stop.

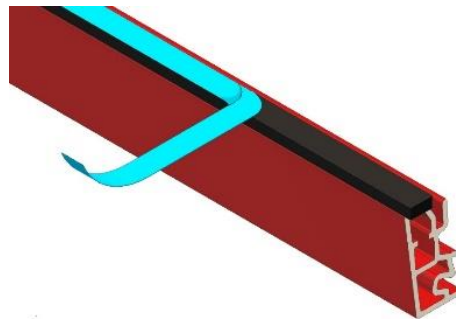


Sill Glazing Stop



Head Glazing Stop

12. Pull away 50 mm (2") of plastic film from each end of all four Glazing Stops before their installation.



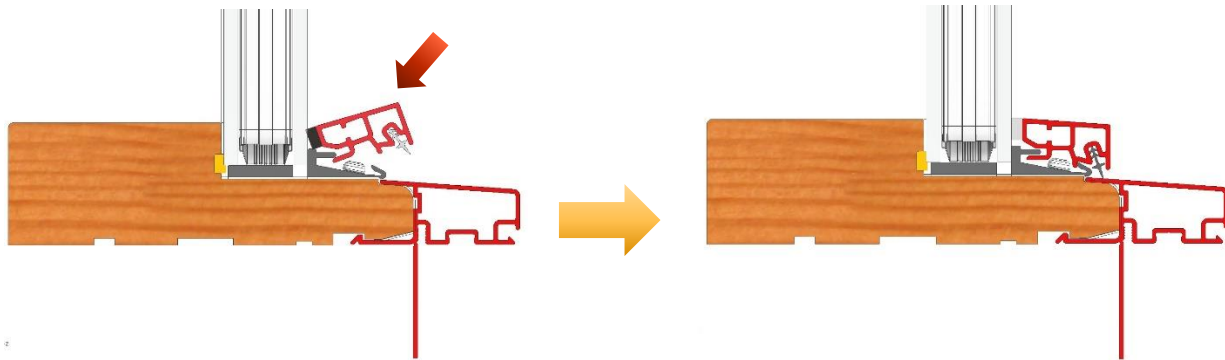
13. Remove the plastic film from the gasket, and place it on the end of the head and Sill Glazing Stop.



14. Begin with the Sill Glazing Stop. Index the Glazing stop in the Glazing Clip as shown below. Push and rotate the Glazing Stop towards the face of sill cladding. Once seated, apply even pressure over the full length of the Glazing Stop to snap the Stop into the hook of the Glazing Stop Clip.

Metal Clad Picture Window Glass & Glazing Stop Installation Instruction

(Applies to Standard Units, Corner Units with a Corner Post and Butt Glazed Corner Units)



15. Remove the blue plastic backing from the Glazing tape after the Glazing stop is seated into the clip.
16. Repeat above steps on Head Glazing Stop.
17. Repeat above steps on both jambs. Use caution to avoid scratching Head and Sill Glazing Stops when installing Jamb Glazing Stops.

