

EXTERIOR BRICKMOULD INSTALLATION GUIDE



These instructions contain important installation, finishing and homeowner information. Please keep them with the window until the homeowner removes them.

Loewen recommends reviewing the entire instructions and familiarize with this service instruction prior to installation in order to ease the process of removal and installation. This supplement demonstrates how to remove metal clad casing and shipping clip as well how to adjust and install casing and sill nosing feature which is essential for proper casing and nosing installation to the unit.

1: Table of Contents

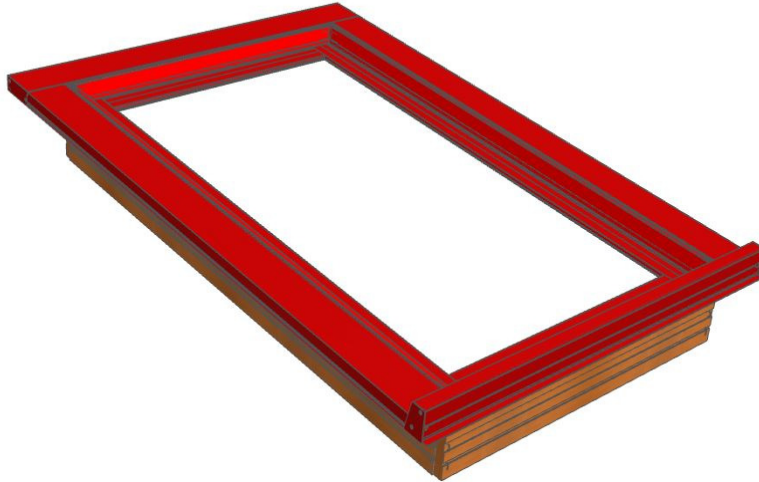
	Page
Table Contents.....	1
2.0 Parts	2
2.1 Metal Clad Casing & Sill Nosing Assembly	2
2.2 Part Designations	2
2.3 Exploded View	3
2.4 Upper Left Corner	3
2.5 Bottom Left Corner	3
3.0 Installation & Preparation	4
3.1, 3.2	4
4.0 Unit & Casing System Installation	5
4.1	6

2.0: Parts



Important: Always practice safety! Wear the appropriate eye, ear and hand protection, especially when working with power tools.

2.1) METAL CLAD CASING & SILL NOSING ASSEMBLY



2.2) PART DESIGNATIONS

1. Casing at Jamb (3 ½" Flat Casing Shown)
2. Casing at Head (3 ½" Flat Casing Shown)
3. Sill Nosing (BC Sill Nosing Shown)
4. Head Casing End Cap
- 3 ½" Flat Casing Only
5. Universal Frame Cladding
6. Accessory Retainer Clip
7. Casing Shipping Clip
8. Sill Nosing End Cap
9. Jamb – Frame

CASING OPTIONS

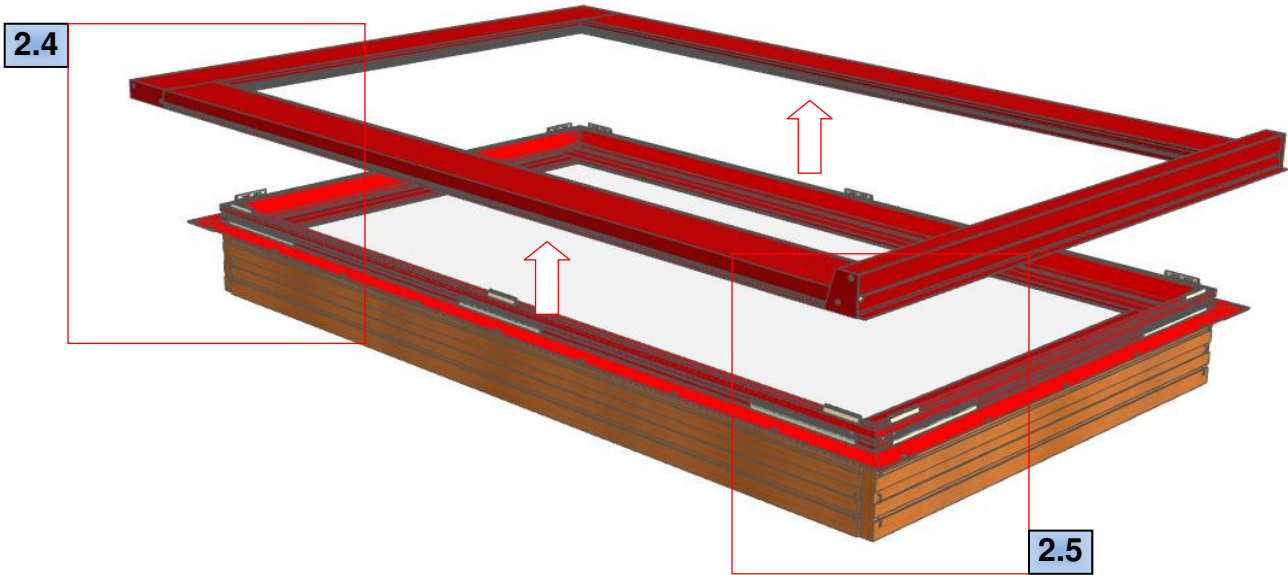
1. 3 ½" Flat Casing
2. Adams Casing
3. Williamsburg Casing
4. Nose & Cove Casing

SILL NOSING OPTIONS

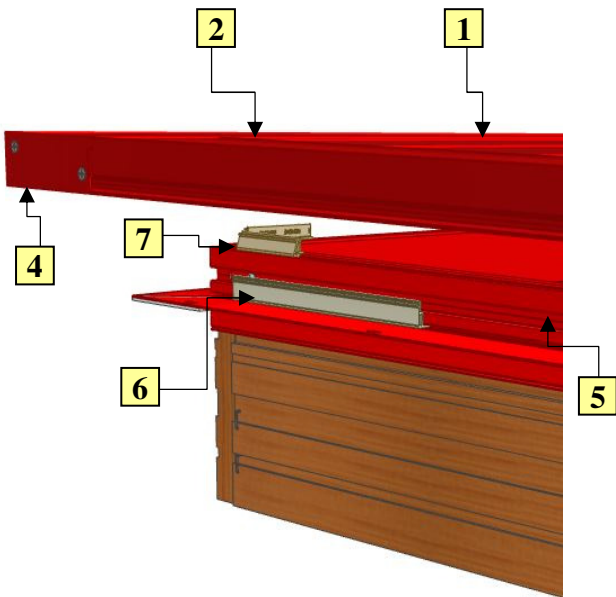
1. Standard Sill Nosing
2. BC Sill Nosing
3. Heritage Sill Nosing

2.0: Parts (Continuation)

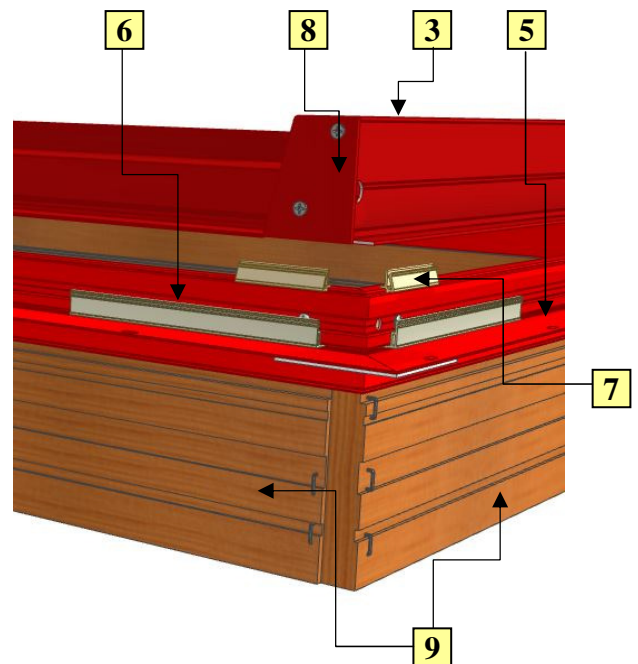
2.3) EXPLODED VIEW



2.4) UPPER LEFT CORNER



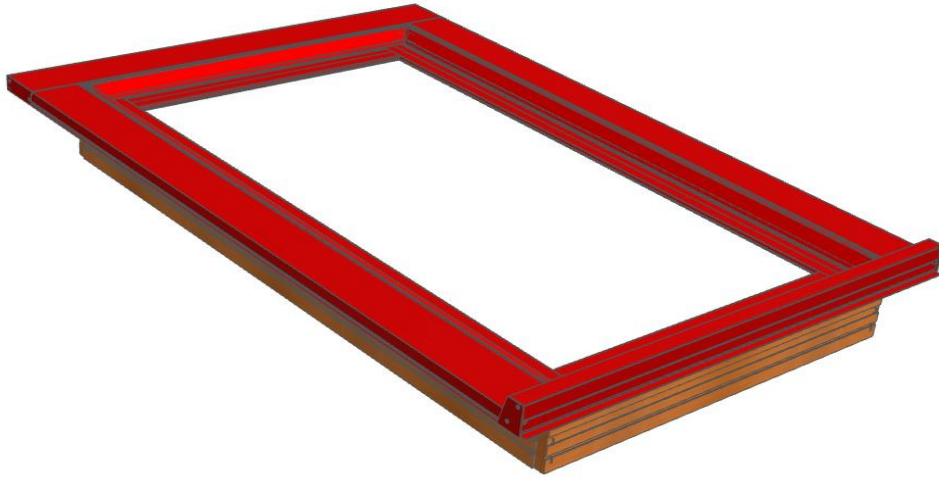
2.5) BOTTOM LEFT CORNER



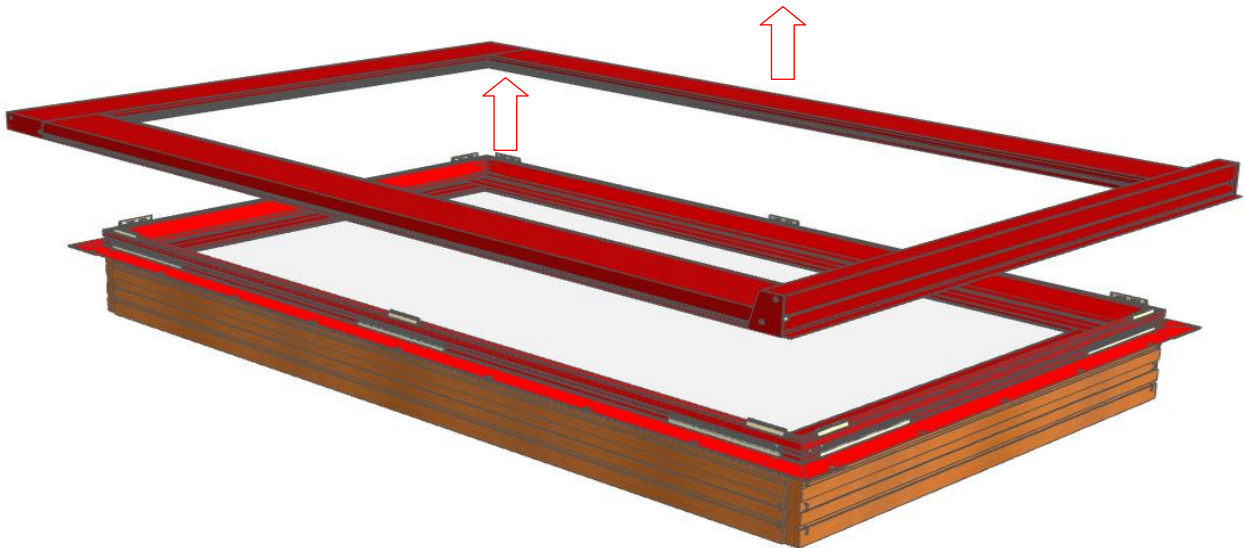
3.0: Installation & Preparation

Follow these instructions to install the site installed casing system to Loewen window systems

3.1) Remove protective packaging and dispose of as per local requirements. Gently place the unit on a clean & dry flat surface with the exterior side facing upward.



3.2) Optional casings will be pre-assembled and resting on the disposable casing shipping clips. The casing shipping clips keep the casings from accidentally engaging the accessory clip during shipping and handling. Separate the Casing/Sill Nosing assembly from the window by lightly lifting upwards, set casing assembly aside.

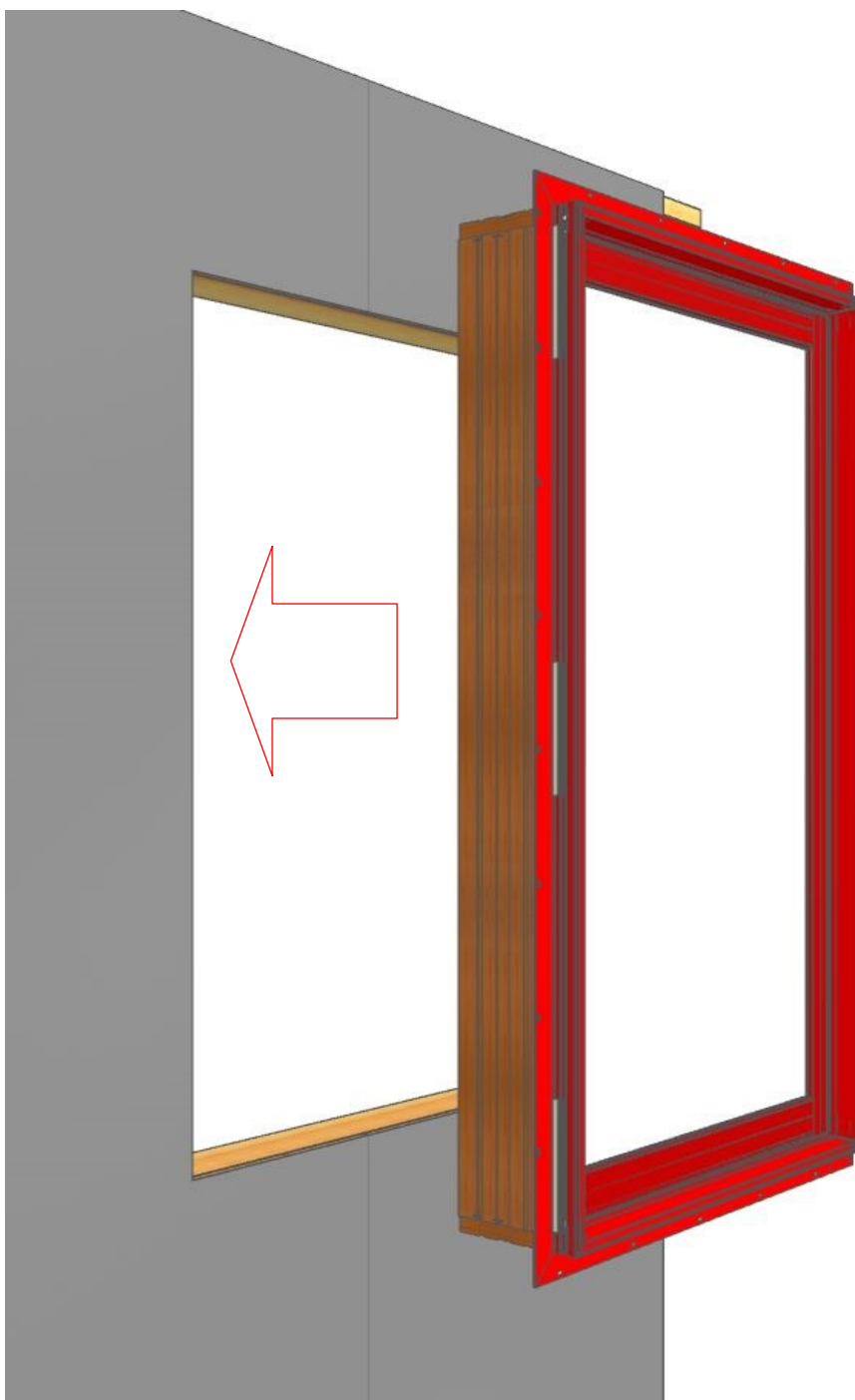


4.0: Unit & Casing System Installation



Important: Please use eye protection when removing and installing your casing & sill nosing. Follow equipment manufacturer's instruction for safe operation.

4.1) Install and seal the window unit into wall opening as per standard Loewen installation instructions.



4.0: Unit & Casing System Installation

4.2) Starting along the top and moving down the sides, push the casing assembly onto the frame mounted accessory retainer clips using light pressure as to not dent the casing. Insure full engagement of the casing to the frame, there should be no more than a 1/16" gap between the back of the casing and the wall surface.

