



**METAL CLAD PICTURE WINDOW
GLASS & GLAZING INSTALLATION GUIDE**

Loewen

IMPORTANT NOTICES & INFORMATION

The building envelope must be correctly prepared with weather resistant barriers – that meet local and state codes. All frame and sill surfaces must be correctly prepared for air, water, and structural integrity by the builder or contractor before attempting installation. In order to meet warranty requirements, all systems are required to be installed by a certified installer.

- Read these instructions in their entirety prior to installing windows. Contact Loewen at 1.800.563.9367 for clarification.
- Loewen is not responsible for site measurements nor the structural and architectural requirements for the installation of the MultiSlide doors.
- Building design, construction methods, building materials and site conditions unique to your project may require methods different from these instructions.
- Choosing the appropriate method is the responsibility of you, your architect, or your construction professional.
- Confirm with sealant/foam/barrier manufacturers that all materials used are compatible with one another.
- Remove shipping blocks and related staples prior to installation.
- All drawings are shown not to scale.
- To ensure accuracy, make sure you have the latest approved shop drawings and assembly and installation guides.
- Any local, regional or national building code requirements supersede these instructions.
- Safety is top priority for Loewen. Use proper work procedures and protective equipment.

Notes on Building Envelopes

Improper design and/or non-conforming application of building envelope materials has been demonstrated to cause premature building envelope failure. Even with premium materials, shortcuts and errors in the final installation can impact budgets, time frames, building life span, and increase legal liabilities.

As one of the elements that bisect the interior/exterior plane, window and door integrations are a critical element of the building envelope as a whole. Poor installations can carry significant liability, due to building envelope failure.

PREPARATION INSTRUCTIONS

Preparation Advisory

These instructions contain important installation, finishing and homeowner information. Please keep them with the window until the homeowner removes them.

Loewen recommends reviewing the entire instruction and familiarizing yourself with this procedure prior to installation.

Important: Always practice safety. Wear the appropriate eye, ear and hand protection, especially when working with power tools.

Parts in the Package



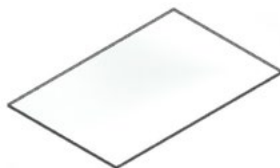
Frame Assembly Unit



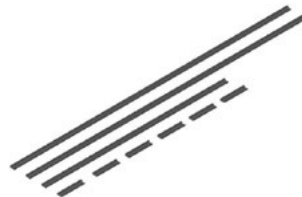
Glazing Stop (Jamb x2, Head x1, Sill x1) Glazing Stop Gasket x4



Glazing Shim



Sealed Unit



Glazing Stop Clips (Jamb x2, Head x1, Sill x Various)



6 x 5/8" SQR Panhead SS Screw

Tools Required

- U1600 silicone
- Damp Rag
- Drill Kit
- QUAD Screw Driver
- Tape Measure
- Marker



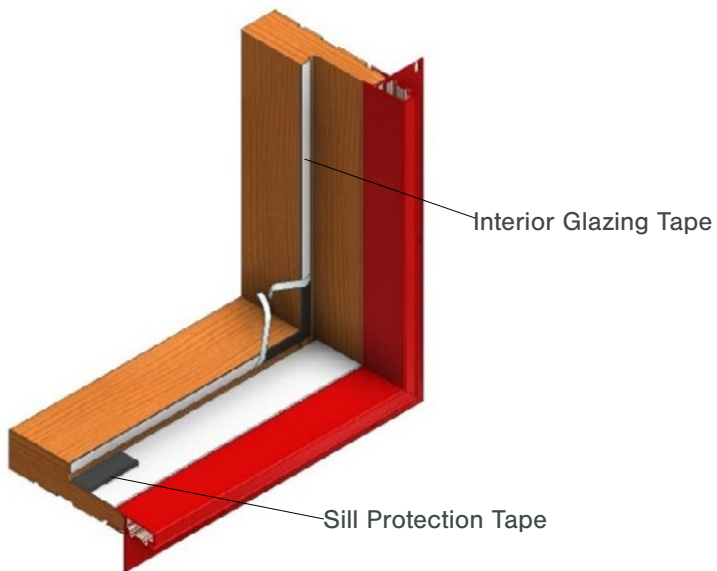
INSTALLATION INSTRUCTIONS

Step 1

Install the open frame from the exterior into rough opening. (For frame installation details refer to Loewen Window Installation Guide-New Construction)

Step 2

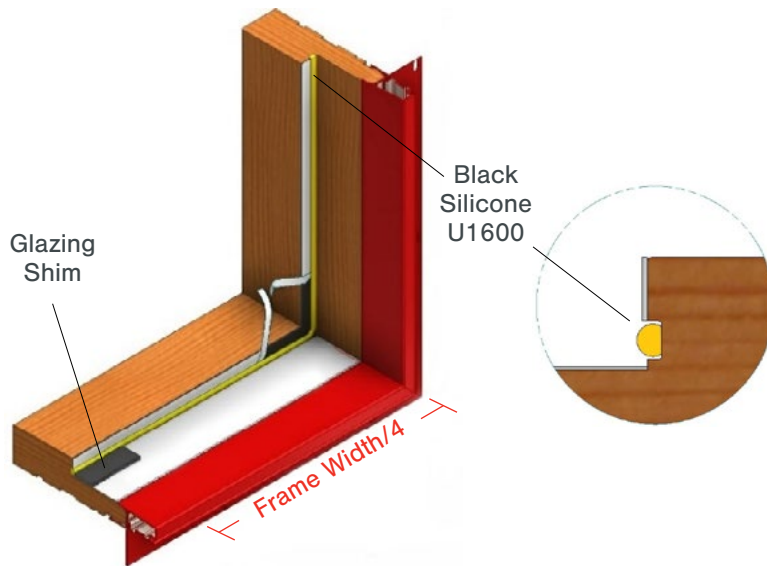
Pull away 50mm (2") of plastic film from each end of the interior glazing tape.



INSTALLATION INSTRUCTIONS

Step 3

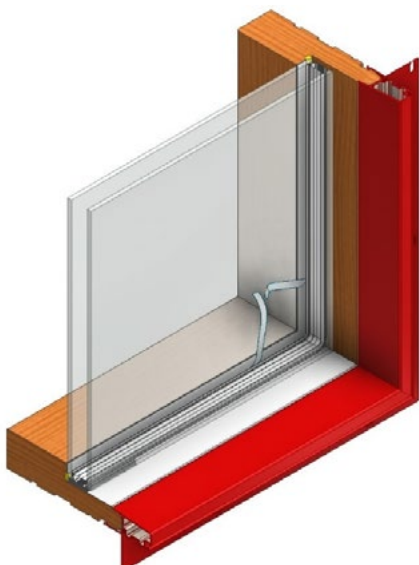
Apply continuous 6mm (1/4") bead of U1600 into groove along all frame, and put two glazing shims on the frame sill, one at each quarter point as shown.



Step 4

Place sealed unit into Picture frame.

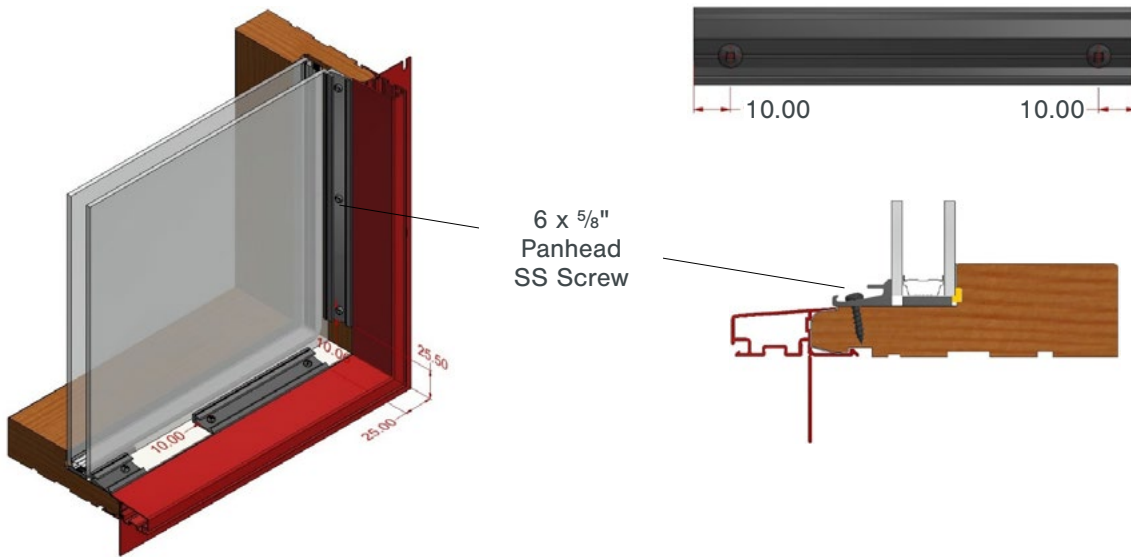
Note: The Loewen logo should be on the interior lite, top right hand corner.



INSTALLATION INSTRUCTIONS

Step 5

Place 120mm (4 5/8") long clips on the sill. Full length clips are used on other sides of frame. Ensure the clips hold the sealed unit tight to the frame. And then use 6 x 5/8" SQR Panhead SS Screws (Loewen #: 49846) to fix the clips onto frame.



Step 6

Remove plastic film from interior glazing tape, all four sides.

Step 7

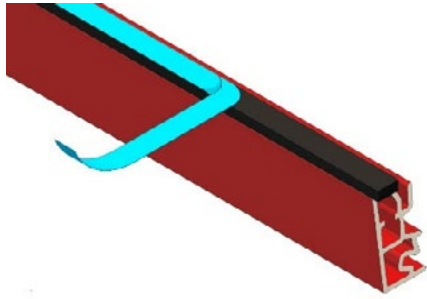
There are four pieces of glazing stop in the package. Note that the sill glazing stop is the only one whose W.S. fin is shorter than glazing stop itself, as shown. The W.S. on the head glazing stop is the same length as the glazing stop as shown.



INSTALLATION INSTRUCTIONS

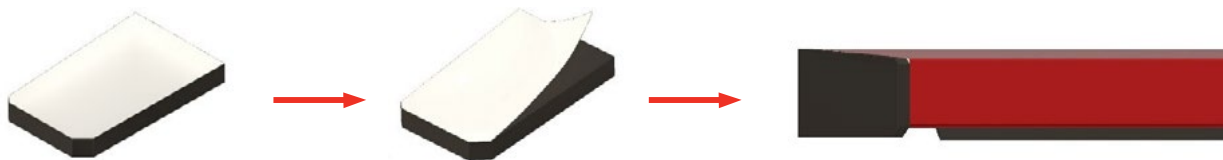
Step 8

Pull back 50mm (2") of plastic film from each end of all four glazing stops.



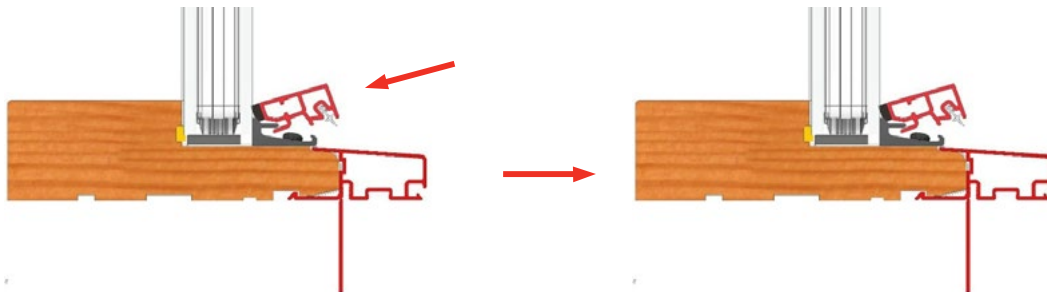
Step 9

Remove the plastic film from the gasket and place it on the end of the head and sill glazing stop.



Step 10

Starting with the sill glazing stop, place the kerf of the stop into the leg of clip. Push and rotate the glazing stop towards the face of sill cladding. Once seated, apply even pressure over the full length of the glazing stop to engage the hook on the clip and snap into the groove of the glazing stop.



INSTALLATION INSTRUCTIONS

Step 11

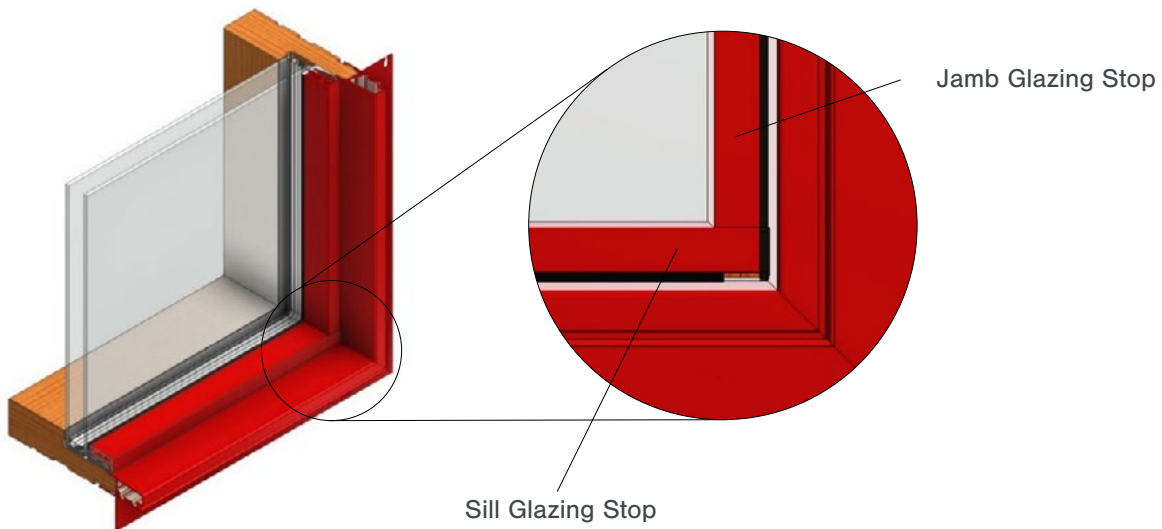
Remove the plastic film from the glazing tape after the glazing stop is seated well into the clip.

Step 12

Repeat steps 8, 9, 10, 11 on head rail.

Step 13

Repeat above steps on both jamb sides. Use caution on both ends of jamb glazing stop to avoid any scratches to the head and sill glazing stop.



Information subject to change without notice.

Distributed by Loewen Inc. in the USA and C.P. Loewen Enterprises Ltd. in Canada and internationally. Trade Marks owned by C.P. Loewen Enterprises Ltd. Used under license. © C.P. Loewen Enterprises Ltd. All rights reserved.

Part Number 49997