



**MULTISLIDE
DOORS**

LOEWEN MULTISLIDE DOORS

Thin sightlines, an elegant sill, and industry-leading performance: this MultiSlide is the obvious choice for a timeless sliding door solution.

Loewen's MultiSlide platform is our latest step in bringing the most timeless window and door solutions to market. This flexible offering includes straight-stacking, bi-parting, pocketing, and corner configurations.

Dramatic indoor/outdoor transitions are easily achievable as our standard sizes go up to panel sizes of 6 feet by 12 feet, or an overall system width up to 48 feet.*

The robust 2-1/4" thick panels showcase 3" stiles and rails, creating a large daylight opening. This streamlined form continues with our meticulously refined square sill, which can be installed flush with flooring if desired. Our diverse offering of luxury handles, including two flush handle options, completes the design, enabling you to configure one of the most elegant doors available today.

*Max certified panel size is 4ft x 10ft. Max 10 panels in any one direction.







Industry-Leading Performance

This door is uncompromising in its performance, even offering protection in hurricane conditions*. The 2-1/4" panels provide unparalleled strength and rigidity. This resilient design also accommodates our True Triple Glazing, delivering the exceptional thermal performance synonymous with Loewen. Intense wind-driven rain is easily directed to the exterior by the comprehensive water management system concealed in the sill.

*Impact-rated doors available in 2025

OUR OFFERING

Stacking, bi-parting, and pocketing doors available in straight or corner configurations

Three distinct retractable screen options

FEATURES

Narrow stiles and rails allow for expansive views without sacrificing the structural performance Loewen is known for.

Aluminum cladding conceals a fiberglass frame and sill ensuring an exceptional thermal performance while maintaining a durable and consistent finish.

Door panels, interior wood covers, and wood frame components are available in a range of wood species.

The square sill can be installed flush with flooring and includes a discrete drainage system allowing for exceptional performance with a minimalistic profile. Risers are available to increase performance and can be added post-install.

Panels can facilitate True Triple Glazing with 1/2" airspaces, even at large sizes.

Quad rollers increase weight capacity and make panels easier to roll.

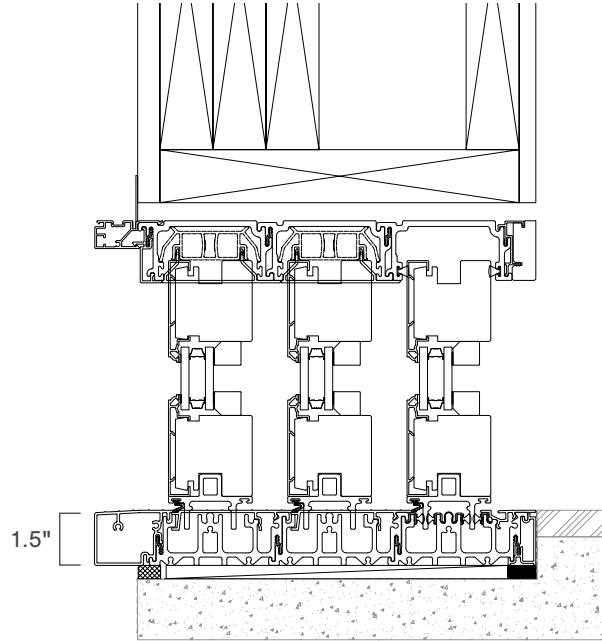
Quad roller adjustments are concealed on the end of the panel maintaining a clean aesthetic on the interior of the panels

Re-designed interlocks increase performance and ease of operation.

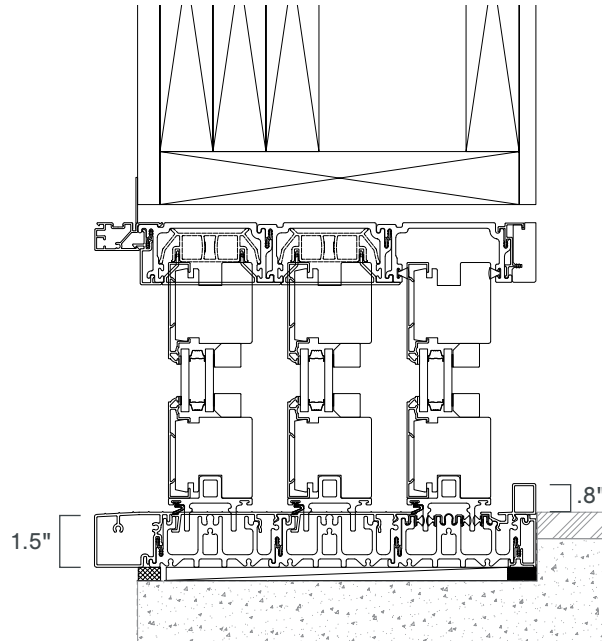
Designed with a knocked-down frame, the Loewen MultiSlide has been engineered to allow for effortless installation.



NEW
Flush Handle
Coming Soon



Flush Sill Installation with No Riser



Flush Sill Installation with Sill Riser

Even large triple-glazed panels operate smoothly and quietly on quad-rollers and stainless-steel tracks.

This meticulously designed square sill offers exceptional thermal performance.

